

80XLE

KNUCKLEBOOM LOADERS > BACK OF CAB

FORESTRY



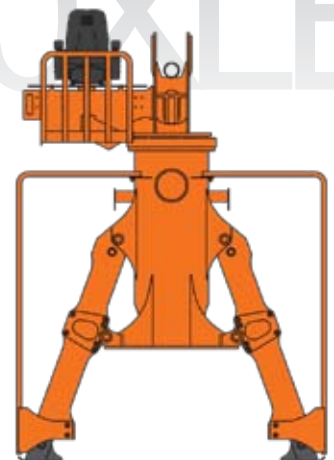
Introducing the Barko 80XLE

Need to extend your reach? Then the 80XLE is just right for you. It offers a telescoping boom to increase your reach up to 3 additional feet (36"). But this is even better - The Barko 80XLE Back of Cab knuckleboom loader (material handler) delivers the highest payload with the lowest installed weight ratio. And like all Barko products, it provides increased work productivity and the lowest total cost of operation than any other product on the market.

Equipped with more standard features than its competitors, the 80XLE lasts longer, performs harder, and delivers the results you expect. Nothing performs like a Barko. And once you buy one, you'll never want anything else!



80XLE



BARKO HYDRAULICS, LLC

One Banks Avenue | Superior, WI 54880 | Ph: 715.392.5641 | Fx: 715.392.3931

WWW.BARKO.COM

80XLE

KNUCKLEBOOM LOADERS > BACK OF CAB

FORESTRY

MAXIMUM LIFT CAPACITY

22' 0" (6.70 m) - 25' 0" (7.62 m) telescoping boom, less attachment:

Radius	Lift
5' (1.52 m)	10,450 lbs. (4,740 kg)
10' (3.05 m)	9,540 lbs. (4,327 kg)
15' (4.57 m)	6,370 lbs. (2,889 kg)
20' (6.10 m)	4,670 lbs. (2,118 kg)
Full Reach	1,250 lbs. (566 kg)

BOOM DATA

22' 0" (6.70 m) - 25' 0" (7.62 m) telescoping boom lengths:

Main	12' 0"	(3.66 m)
Stick	10' 0"	(3.05 m)
to	13' 0"	(3.96 m)

Boom structure: Fabricated box style design with all welded construction and wear plates.

Aluminum Bronze Bushing with grease grooves at boom pivot points.
2-55W Halogen Work Lamps on Stick Boom

BOOM REACH

22' 0" (6.70 m) - 25' 0" (7.62 m) telescoping boom (at full length)

Horizontal	24' 10"	(7.57 m)
from center line of rotation.		
Vertical	37' 3"	(11.35 m)
when mounted on a 44" truck frame.		

CYLINDERS

Hydraulic cylinders with spherical bearings and wear rings on glands and pistons for long wear. All cylinders are made of heavy wall honed steel tubing. Heat treated cylinder rods have heavy chrome plating.

Main and stick boom cylinders have induction hardened rods and bolt on glands.

Main boom cylinder:
5" x 36" (127mm x 914.4mm)
with 3" (76.2mm) rods.
Stick boom cylinder:
5" x 30" (127mm x 762.0mm)
with 2.5" (63.5mm) rods.

POWER SOURCE

Customer supplied Power Take Off.

HYDRAULIC SYSTEM

45 gallon (170 L) hydraulic reservoir with both suction and return line filters.
Pump: One triple gear pump producing 26/21/15 GPM (98/79/57 LPM) at 1500 RPM.
Heavy-wall tubing and 4-wire hose throughout system.
Main system operating pressure 3200 PSI (220 BAR).
Control valves: sectional fine control type with mechanical joysticks.
Independent swing circuit.
Rotary 5 port manifold to allow continuous rotation.

INDEPENDENT SWING CIRCUIT

Heavy-wall tubing and 4-wire hose throughout system
Main system operating pressure 3200 PSI (220 BAR).
Rotary 5 port manifold to allow continuous rotation

SWING SYSTEM

Continuous rotation on 27" (685.8 mm) external tooth turntable bearing powered by a hydraulic motor and a single stage planetary gearbox.

OPERATOR'S PLATFORM

Rotating platform with beneath-the-seat style valve mounting and foot swing pedal.
Comfortable, locking, fold-down seat with arm rests.
8-Pass electrical collector

STABILIZERS/SUBFRAME/PADS

Telescopic stabilizers with 43" (1,092 mm) stroke cylinders enclosed in tubular and fabricated box style assembly with wear plates.
Controlled from platform or ground.

MOUNTING DATA

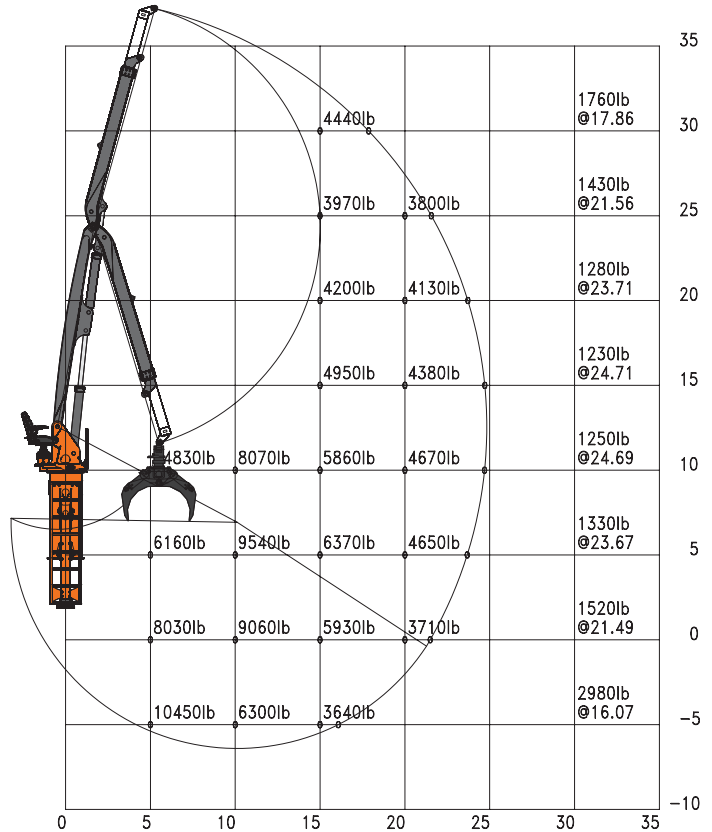
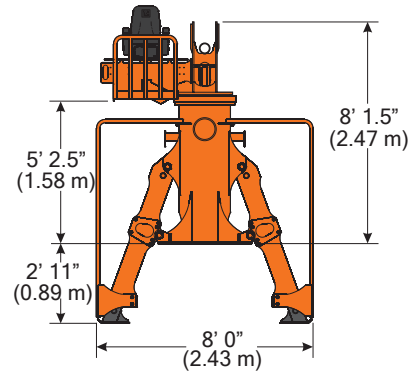
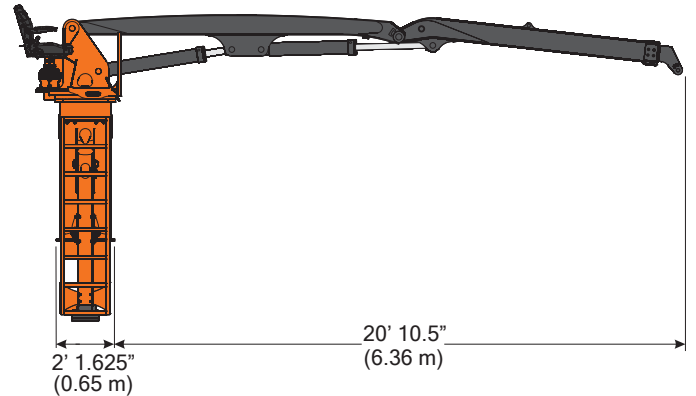
Mounting bolts and support plates are supplied.

MISCELLANEOUS

Weight: Loader with telescoping boom with cylinders (excluding grapple and options): 5,985 lbs. (2,715 kg).
Dual ladders with non-slip treading.
Load securing posts.

OPTIONS/ACCESSORIES

Spacers to accommodate various frame heights.
Oil Cooler Kit with 12V Fan.



"This chart represents rated lift capacities based on hydraulic relief and does not include the weight of the grapple. Actual lift capacities are related to machine stability, which varies with choice of carrier and terrain conditions of the work site."



BARKO HYDRAULICS, LLC

One Banks Avenue | Superior, WI 54880 | Ph: 715.392.5641 | Fx: 715.392.3931 | www.barko.com