

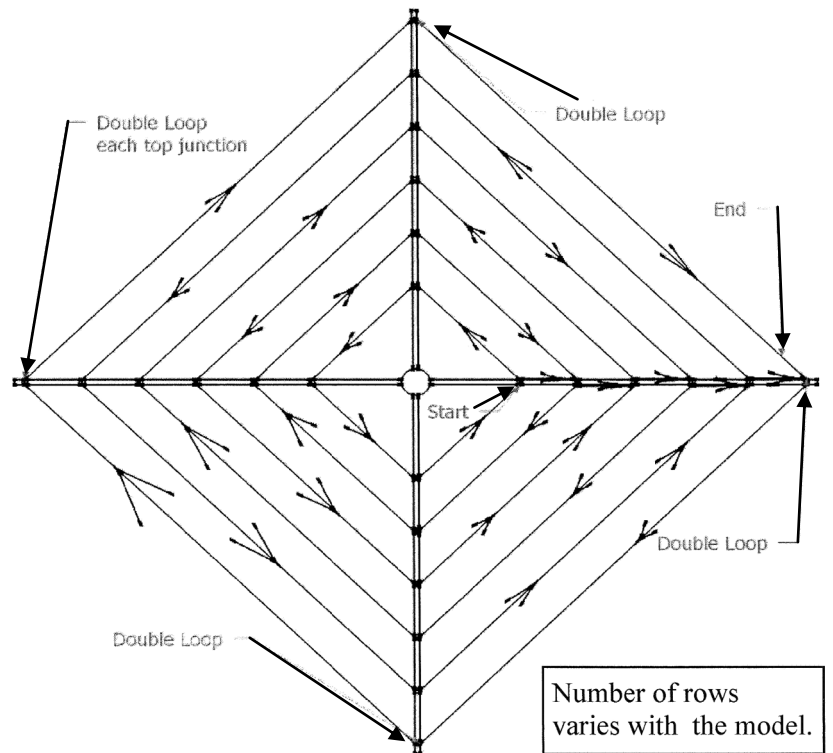
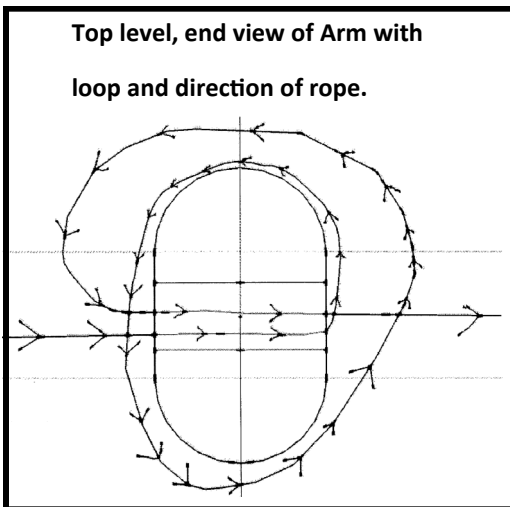
Sunshine Clothesline—SETUP & Re-Roping Instructions for; Models **Deluxe 9FT (small green Arms)** and **Deluxe 14 Ft. (large orange Arms)**



Please read through thoroughly before use, see pictures on back.

G&G Clothesline
1101 HWY 14 South, Parkersburg Iowa 50665- 1-319-346-2423
www.sunshineclothesline.com—Email: Keith@sunshineclothesline.com

Re-Roping Process; **1.** Position Lever Bolt in the bottom notch of Latch Arm and push Lever down to lock Arms out, see pictures on 2ND page. **2.** Thread the rope loosely first, without tension. Start at the bottom level hole on any Arm as indicated on the diagram and proceed as shown by the arrows. After completing 1 level (revolution) of holes (the first and last hole of a level share a hole take the rope up the side of the Arm to the next level and through that hole reversing the direction of the rope, do this for each successive levels (follow the arrows). **3.** When you get to the top level, thread the rope through the hole, then around each Arm 1 1/2 times, then thread the rope through the same side you did to start the loop. This will prevent the Arms from going out of position and hold the rope tension (only tie this loop on the top row). Tie a knot at the outside of the last hole.

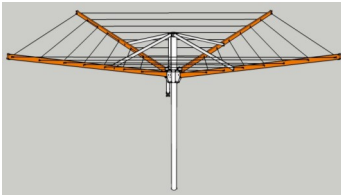


NOTE: Some ropes are continuous and some are sectioned to avoid curling of rope during installation.

Next set the Rope tension, after Rope has been completely laced up and still loose, these are the next steps;

4. Keep Lever Bolt in the bottom notch of Latch Arm and locked down. **5.** Start at the top line (with knot) work your way backward or opposite from the way you threaded the rope , at the end of each Arm adjust the distance of each section to be equal or about 76" or 114" depending on the model you are Roping. Be sure to tie the double loop at the end of each Arm as described in step 3, this is key to keeping the Arms equally spaced (only tie this loop on the top row). **6.** When the top row is completed continue down to the next level (follow the arrowed line path down the Arm), all the while keeping the rope taut and taking the slack out. The number of rows varies with the model. **7.** Work your way down and around each successive level, again keeping the Rope taut as you go. **Do not let the rope go slack at any time during tensioning.** **8.** At the end or bottom tie a knot in the end of the Rope so it doesn't pull through the last hole.

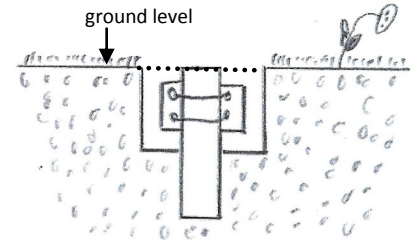
We hope this helps you keep your Sunshine Clothesline in tip top shape.



G&G Clothesline

WEBSITE: <http://www.sunshineclothesline.com>

EMAIL: Keith@sunshineclothesline.com * PH: 319-346-2423



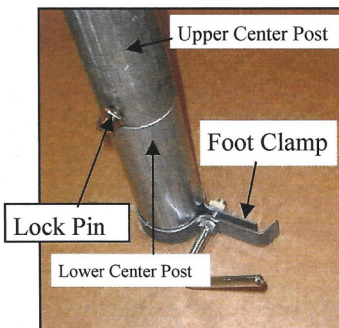
Assemble the Ground Socket: Position the two Wings on the PVC tube with the 4 special formed bolts and wing-nuts to secure the Wings around the tube, this makes up the Ground Socket Assembly. The top of the Wings should be about 4 inches from the top of the tube. **CAUTION!!** Do not over tighten the 1/4" wing-nuts as you will indent the tube making it impossible to get your Sunshine Clothesline into the Ground Socket after assembly.

Installing the Ground Socket: Auger or dig a hole in the ground 6" deeper than the length of the Ground Socket. Place 6" of gravel or small stones in the bottom of the hole, this allows for proper drainage. Dig out the top of the hole large enough to accommodate the Wings of the Ground Socket as shown in the sketch to the right. After making sure the Ground socket is plumb and the top of it is **at ground level**, pack or tamp the dirt back in the hole and around the Ground socket firmly. A black cap is provided to keep out the debris when not using the SSCL. If you have any questions call us.

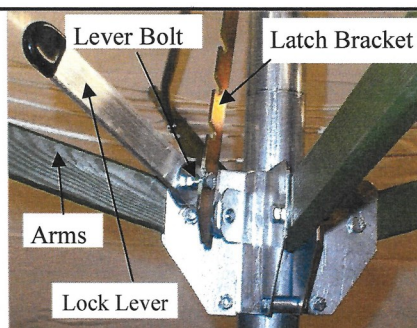
Assembling the Lower Center Post to the Upper Center Post (Deluxe Versions only) Do this by inserting the Lower Center Post's smaller diameter into the bottom end of the Upper Center Post, and aligning the holes in each and then putting the Lock Pin through the hole, be sure to lock the pin with the safety keeper.

Install the Foot Clamp onto the Lower Center Post and adjust it so a minimum of 8" of Center Post will be in the Ground Socket, more length in the Ground Socket is okay, this adjustment raises and lowers the working height of your SSCL.

Raising the Arms of your Sunshine Clothesline; After the Ground Socket is installed into the ground, insert the assembled SSCL into the Ground Socket. Rotate the SSCL until the Latch Bracket faces you. While raising the Arms **always look for rope tangles which might interfere with fully raising**. Place your foot on the Foot Clamp holding it to the ground, grasp two opposing Arms lift and spread them as high and wide as possible. Grasp them again this time lower and raise them as high as easily possible. In order to be in good position to raise the Arms completely, duck under several rows of rope. With the Lock Lever pointing up, raise the Arms until you can connect the Lever Bolt to the lowest slot in the Latch Bracket. Grasp the end of the Lever and pull it down until the over center motion locks the Arms in place, again be sure the ropes are not tangled or wrapped around the ends of the Arms.



The **Foot Clamp** loosens with no tools, and allows the height of the Sunshine Clothesline to be adjusted. Also the sectioned Center Post is fixed with a Lock Pin.



The **LIFT/LEVER** assembly, with easy over-center Lever motion, raises the Arms the last few inches and locks them in place, also setting the line tension. The 4 round spacers help make the Spider assembly stronger. These features make raising and lowering easier, aiding in smoother rotating in the wind and make our Sunshine Clothesline almost indestructible.

Only the DELUXE models have a two piece Center Post.