

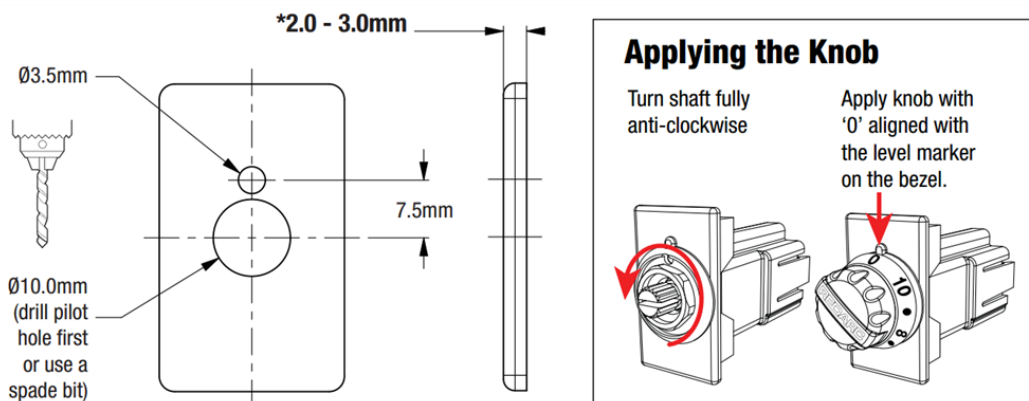
Where Should I Mount The Control Knob For The Tow-pro Elite In My Vehicle?

The **Tow-Pro Elite** electric brake controller remote head is designed to be mounted at a distance from the main unit, allowing for a neat, convenient installation which does not impend on lower airbags or leg room. The remote head is designed to be mounted on or in the vehicle dashboard and when installed correctly complies with Australian Design Rules.

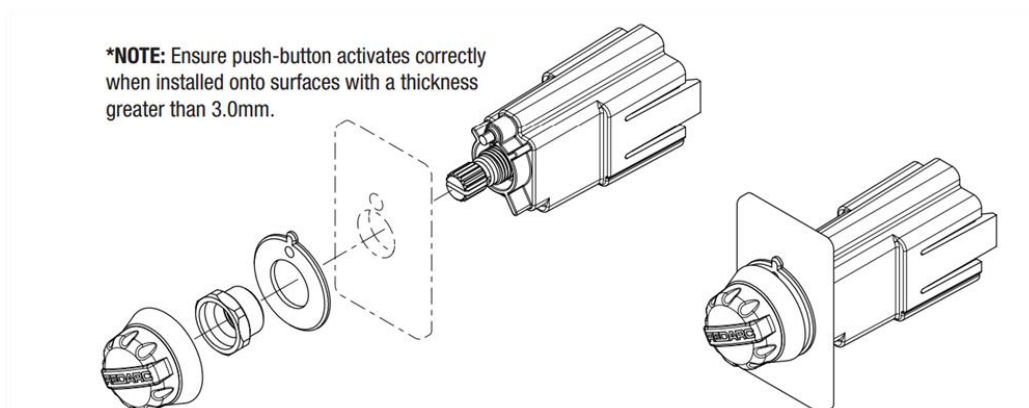
The **Tow-Pro Elite** remote head can be mounted directly to the dashboard, to the center console or through a spare knock-out switch panel and requires only two holes to drilled as indicated in the diagram below

Some other important considerations when selecting a location for mounting the **Tow-Pro Elite** control knob include:

- It can be easily reached from the driver's seat
- The LED color can be readily seen
- Other controls in the vehicle will not knock
- It is not likely to be knocked getting in out of the vehicle



The diagram below shows the dimensions for needed on the surface of your dashboard and how to apply the knob to your remote head.



For more information please consult your manual or click [here](#).