

Radar Detector Instructions

Connect detector to your smartphone via Bluetooth®

- Power on the Road Scout - Make sure the unit is connected to your car's 12V port.**
Note:the first time the Road Scout is powered on, you will be prompted to select your time zone and daylight saving time
- Install and run the Cobra iRadar app on your smartphone**
Note:the first time you run the app, you will be prompted to register a new account
- In the iRadar app, press the Menu button then select "Devices"
- Select "Road Scout" from the list
- In the iRadar app, the Road Scout entry will display "Connected" when it has paired. Press the "Menu" button then "Home" to return to the Map screen.
- You're all set!



Radar Detector Instructions

Radar Detector Advanced Connectivity Mode
Connected Car Users (vehicle Wi-Fi hotspot required)

The Road Scout can connect to your car's Wi-Fi (if available) for quick in-car convenient software and database updates in real time that keeps your detector accurate and precise, minimizing false alerts and improving detection.

You'll also get exclusive iRadar Community alerts without having to launch the app on your smartphone.

For information on how to connect the Road Scout to Wi-Fi hotspots and other advanced operations instructions, please go to: www.cobra.com/roadscout to download the full owner's manual.

Dash Cam Instructions

View and edit videos on your smartphone

Install and run the Cobra Drive HD app on your smartphone

Once you have installed the Cobra Drive HD App, follow the steps below to connect the Road Scout to your smartphone:

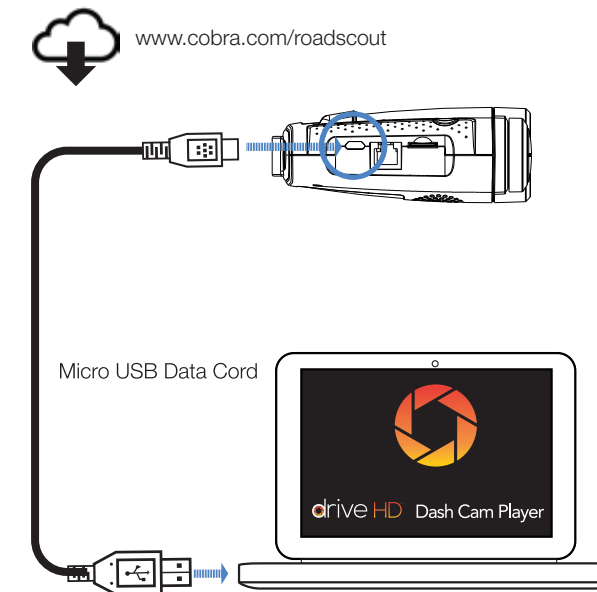
- On the unit: Press and hold the BRT button until "CAMERA" appears on the display. If "iRADAR" appears, press and hold BRT again.
- On your smartphone: Go to the Wi-Fi menu in your smartphone's settings and select network SSID: "Road Scout"; if a password is required, enter "12345678".
Note:make sure this step is done on your smartphone settings, not on the app.
- After your smartphone Wi-Fi is connected to the Road Scout, launch the Drive HD App.
Live view from the dash cam will be available on the Drive HD screen on your smartphone, as well as a full control menu.
- You're all set!



Dash Cam Instructions

View and edit videos on your computer

The Drive HD Dash Cam Player allows you to view, edit, and share video clips.



Cobra®

Road Scout

2-in-1 Radar Detector and Dash Camera



QUICK START GUIDE

Thank You!
For purchasing the
Cobra Road Scout

Full Manual and 3D Instructions
using the **BILT** app available at:
www.cobra.com/roadscout

FCC ID: BBORDCAM. THIS DEVICE COMPLIES WITH PART 15 OF THE FCC RULES. OPERATION IS SUBJECT TO THE FOLLOWING TWO CONDITIONS: (1) THIS DEVICE MAY NOT CAUSE HARMFUL INTERFERENCE, AND (2) THIS DEVICE MUST ACCEPT ANY INTERFERENCE RECEIVED INCLUDING INTERFERENCE THAT MAY CAUSE UNDESIRE OPERATION.

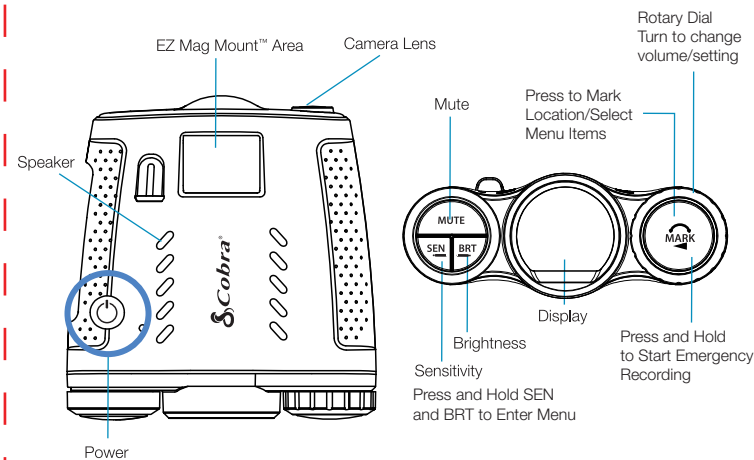
Warning: Any changes or modification not expressly approved by the party responsible for compliance could void the user's authority to operate the device.

Note: This equipment has been tested and found to comply with the limits for a Class B digital device, pursuant to part 15 of the FCC Rules. These limits are designed to provide reasonable protection against harmful interference in a residential installation. This equipment generates, uses and can radiate radio frequency energy and, if not installed and used in accordance with the instructions, may cause harmful interference to radio communications. However, there is no guarantee that interference will not occur in a particular installation. If this equipment does cause harmful interference to radio or television reception, which can be determined by turning the equipment off and on, the user is encouraged to try to correct the interference by one or more of the following measures:

- Reorient or relocate the receiving antenna.
- Increase the separation between the equipment and receiver.
- Connect the equipment into an outlet on a circuit different from that to which the receiver is connected.
- Consult the dealer or an experienced radio/TV technician for help.

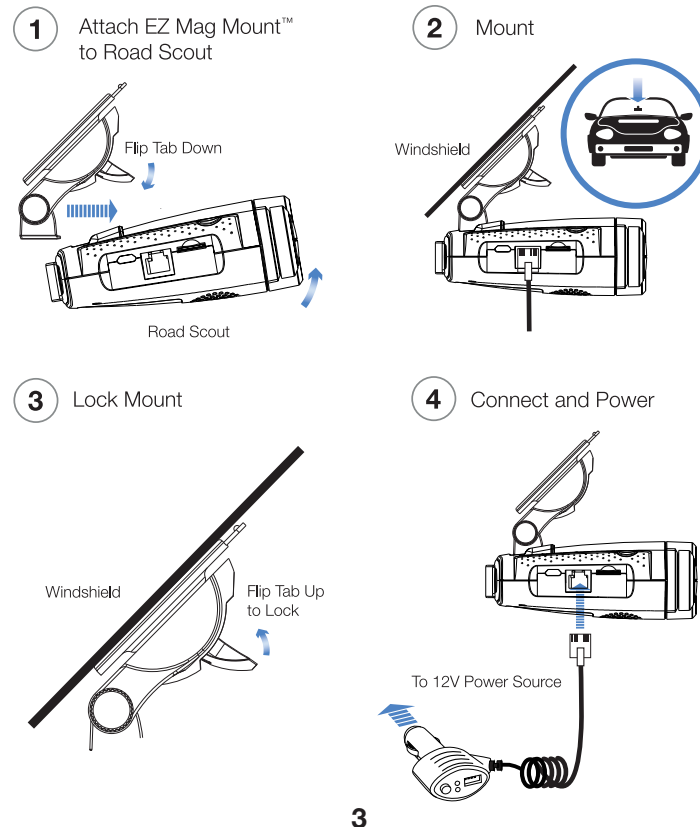
©2019 COBRA ELECTRONICS CORPORATION, 6500 W. CORTLAND ST., CHICAGO, IL 60707.

Cobra Road Scout features



To access and navigate the general menu press and hold "SEN"+ "BRT" at any time.
To exit the general menu simply wait a few seconds.

Mount to the windshield



Connectivity Guide Radar Detector

RADAR DETECTOR - STANDARD MODE

Maximum Protection from the iRadar Community and Customized Alert Settings

Pair your phone easily through Bluetooth to customize your detector's settings and access iRadar community alerts.

See Page 6 for Radar Detector Set Up Instructions.



Bluetooth connection



IMPORTANT

Use the **CobraRadar** app to control the radar detector

Connectivity Guide Dash Cam

DASH CAM MODE

View, Edit and Download your Videos Wirelessly

The Road Scout incorporates its own Wi-Fi source to stream video directly to your phone to save, edit and share right from your car.

See Page 8 for Dash Cam Set Up Instructions.



Dash cam Wi-Fi Connection



IMPORTANT

Use the **Cobra DRIVE HD** app to control the dash cam