

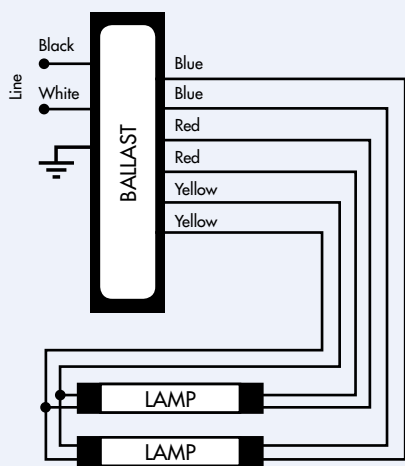
ELECTRONIC SIGN BALLASTS (RAPID START - SERIES WIRED)

In 2014 the Department of Energy banned the production of magnetic sign ballasts for use in the United States. The ESR Series Sign Ballast is a Rapid Start electronic sign ballast designed to be a direct replacement for existing magnetic sign ballasts. For use in series-wired applications, the ESR Series ballasts provides superior lamp life even in cold temperature environments.

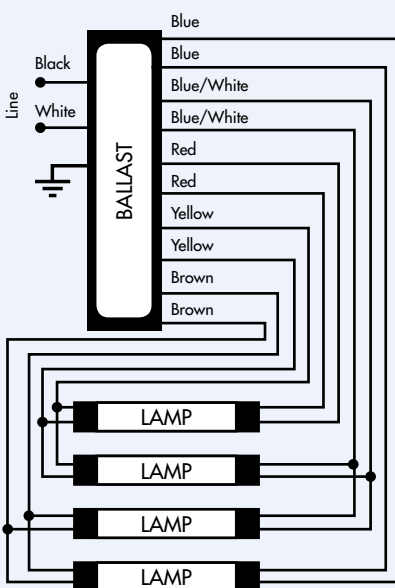
- Drop-In replacement for magnetic sign ballasts (No rewiring required)
- Universal Voltage (120V to 277V)
- Series Rapid Start operation
- UL and CSA listed
- UL HL listing for hazardous locations
- For T8HO & T12HO lamps
- 4 year warranty



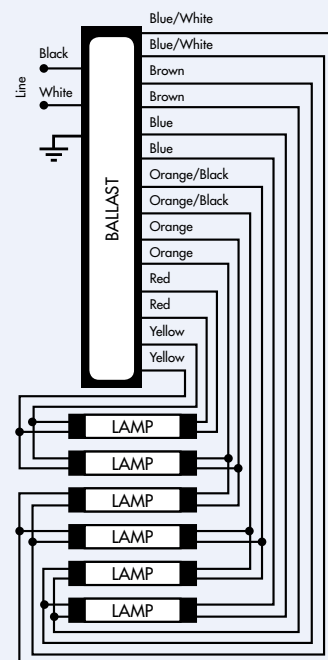
Catalog Number	Total Lamp Footage	Start Temp	Input Volts	Input Watts (max) (T12HO/T8HO)	Max Line Current (T12HO/T8HO)	Case Dimensions (Inches)			Weight (lbs.)	
						Case Length	Height	Width		
T12HO up to 8' long or T8HO up to 6' in length: 120 - 277Volts - 50/60 Hz										
ESR1232-240011	12' min.	T12HO: 36' max 2, 3, or 4 Lamps	-20°F (-29°C)	120	282/256	2.35/2.13	14.3	1.2	3.15	3.75
		T8HO: 24' max 2, 3, or 4 lamps		277	275/252					
ESR416-120011	4' min.	T12HO: 16' max 1 or 2 lamps	-20°F (-29°C)	120	142/129	1.18/1.07	11.75	1.2	1.7	2
		T8HO: 12' max 1 or 2 lamps		277	139/128					
ESR2048-460011	20' min.	T12HO: 48' max 4, 5, or 6 lamps	-20°F (-29°C)	120	425/380	3.50/3.16	16.7	1.2	3.15	4.85
		T8HO: 36' max 4, 5, or 6 lamps		277	415/372					



WIRING DIAGRAM FOR 2 LAMP OPERATION ESR416



WIRING DIAGRAM FOR 4 LAMP OPERATION ESR1232



WIRING DIAGRAM FOR 6 LAMP OPERATION ESR2048

FOR MORE INFORMATION, CALL
1-800-225-5278