

# ELECTRONIC SIGN BALLASTS (INSTANT START - PARALLEL WIRED)

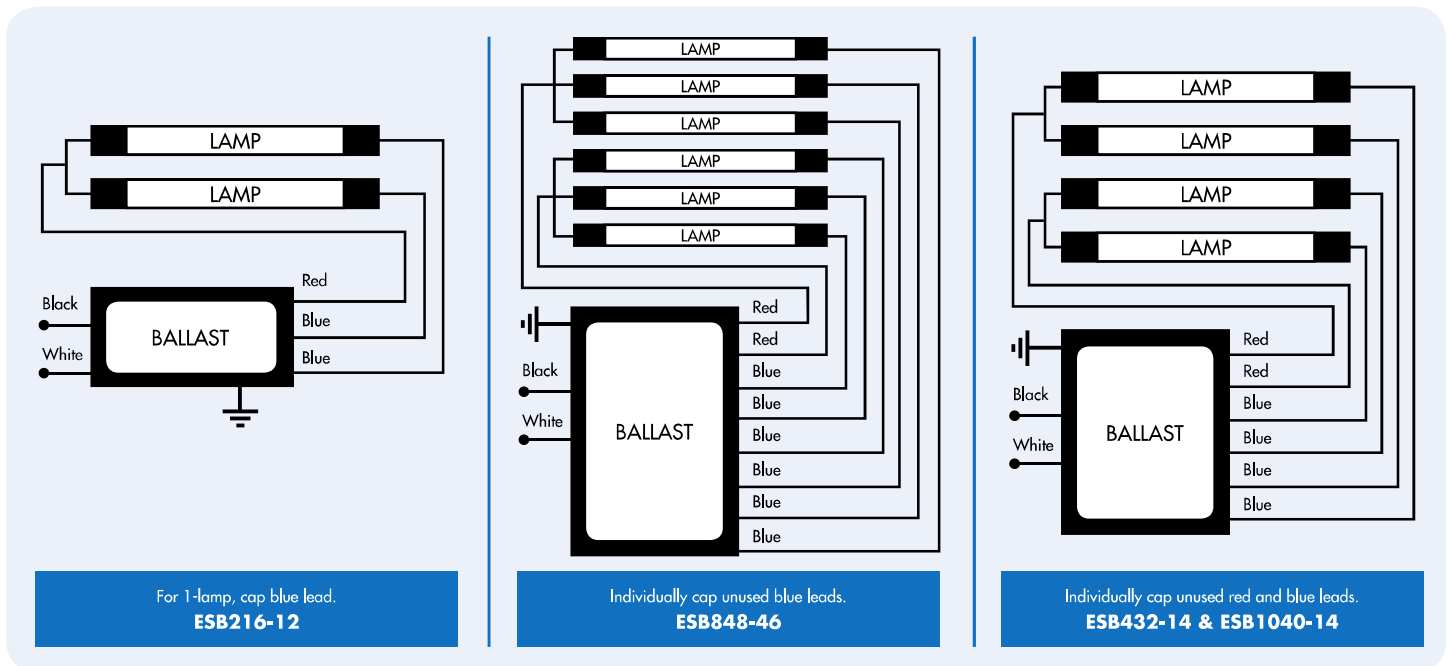
The ESB Series, Instant Start sign ballasts offer maximum energy efficiency for signs illuminated by fluorescent T8HO & T12HO lamps. Additionally, the universal input voltage ESB Series sign ballast uses parallel operation to maintain lamp illumination, even when one lamp fails.

- Maximum energy efficiency
- Fewer connections – easier to wire
- Universal Voltage (120V to 277V)
- Parallel Instant Start operation
- UL and CSA listed
- UL HL listing for hazardous locations
- For T8HO & T12HO Lamps
- 4 year warranty



Catalog Number	Total Lamp Footage		Min Starting Temp	Input Volts	Max Input Watts (T12HO/T8HO)	Max Line Current (T12HO/T8HO)	Case Dimensions (inches)			Weight (lbs.)
							Length	Height	Width	
<b>T12HO up to 8' long or T8HO up to 6' long: 120 - 277 Volts - 50/60 Hz</b>										
ESB216-12	2' min.	T12HO: 16' max, 1-2 lamps	-20°F (-29°C)	120	140/128	1.17/1.07	9.5	1.2	1.7	1.75
	4' min.	T8HO: 12' max, 1-2 lamps		277	137/124	0.49/0.45				
ESB432-14	4' min.	T12HO: 32' max, 1-4 lamps	-20°F (-29°C)	120	282/258	2.35/2.15	14.3	1.2	3.15	3.75
	4' min.	T8HO: 24' max, 1-4 lamps		277	275/252	0.99/0.91				
ESB848-46	8' min.	T12HO: 48' max, 4-6 lamps	-20°F (-29°C)	120	415/380	3.46/3.17	14.3	1.2	3.15	3.75
	16' min.	T8HO: 36' max, 4-6 lamps		277	410/373	1.48/1.35				
<b>T12HO up to 10' long or T8HO up to 8' long: 120 - 277 Volts - 50/60 Hz</b>										
ESB1040-14	10' min.	T12HO: 40' max, 1-4 lamps	-20°F (-29°C)	120	341/321	2.85/2.69	14.3	1.2	3.15	3.75
	8' min.	T8HO: 32' max, 1-4 lamps		277	331/313	1.25/1.19				

\*See specification sheets for details on multiple lamp applications



FOR MORE INFORMATION, CALL  
**1-800-225-5278**