

## MUSKET HONDA ATV

<u>MODEL</u>	<u>YEAR</u>	<u>MUFFLER</u>	<u>HEADER</u>	<u>GASKET</u>	<u>CLAMP</u>	<u>PAGE</u>	<u>PHOTO</u>
ATC70 Complete	1978 - 1985	MH351				10	H
ATC90 K2 Complete	1974	MH352				11	A
ATC110 Z-A Complete	1979 - 1980	MH352-1				11	A
ATC125 Complete	1984 - 1985	MH354				11	B
ATC185 A-B-C-SF Pull Start, Chain Drive	1980 - 1985	MH355	MH016	MG3529	MC38	11	C
ATC200 A-B-C-SF	1980 - 1985	MH355-1	MH016-1	MG3529	MC38	11	C
ATC200 EC-ES Electric Start, Big Red	1982 - 1984	MH357	MH016-2	MG3529	MC38	11	D
ATC200 X	1983 - 1987	MH358	MH018	MG3529	MC38	11	E
ATC250 E-S-F-G-H-J Big Red	1985 - 1987	MH359	MH019	MG3732	MC40	11	F
ATC250 SX	1985 - 1987	MH360	MH019-2	MG3732	MC40	11	G
ATC350 Racing Sports	1985 - 1986	MH350		MG4438	MC47	10	G
TRX125	1985 - 1986	MH462				11	H
TRX200 C-SX	1982 - 1986	MH464	MH064	MG3529	MC38	12	B
TRX200 S	1984	MH465		MG3529	MC38	12	C
TRX250	1985 - 1989	MH466	MH019-1	MG3732	MC40	12	D
TRX250 Recon	1998	MH463				12	A
TRX300 EX Sports	1993 - 2000	MH472				13	B
TRX300 K-N Complete	1989 - 1991	MH468				12	F
TRX300 K-N	1989 - 1991	MH467	MH067		MC37	12	E
TRX300 P-FW with Expansion Bend - Complete	1992>	MH470				12	H
TRX300 P-FW	1992>	MH471	MH070			13	A
TRX350 ES-FM Fourtrax	2000 - 2006	MH473	MH073	MG3732	MC40	13	C
TRX350 G-P	1986 - 1993	MH469	MH069	MG4035	MC43	12	G
TRX400 FW Foreman	1996 - 2005	MH480	MH080	MG4135	MC44	13	E
TRX400 Muffler Heat Shield	1996 - 2005	MH479-1				13	D
TRX400 FA Automatic	2004	MH483				13	H
TRX450 ES	1998 - 2004	MH481	MH080-1	MG4135	MC44	13	F
TRX450 ES Muffler Heat Shield	1998 - 2004	MH479				13	D
TRX500	2005 - 2006	MH482				13	G

## MUSKET HONDA TRAIL & VINTAGE

<u>MODEL</u>	<u>YEAR</u>	<u>MUFFLER</u>	<u>HEADER</u>	<u>GASKET</u>	<u>CLAMP</u>	<u>PAGE</u>	<u>PHOTO</u>
CT90 Complete	1978 - 1979	MH201				4	A
CT90	1978 - 1979		MH011			4	A
CT90 H/Pipe Heat Shield	1978 - 1979		MH707			14	A
CT90 Muffler Heat Shield	1978 - 1979	MH708				14	A
CT110 H/Pipe Heat Shield	1979 - 2006		MH707-1			14	A
CT110 Muffler Heat Shield	1979 - 2006	MH708-1				14	A
CT110 E Complete	1984	MH203				4	C
CT110 M-P-6 Complete	1990 - 2006	MH204				4	D
CT110 Z-D Complete	1979 - 1983	MH202				4	B
CT110 Z-E	1979 - 1984		MH012			4	B
CT125	1989 - 1994	MH223	MH013	MG3732	MC40	6	C
CT185	1989 - 2002	MH237	MH013-4	MG3732	MC40	8	A
CT200	1989 - 2002	MH237-1	MH013-5	MG3732	MC40	8	A
CT200 Automatic	1989 - 2002		MH013-3	MG3732	MC40	8	A
CTX200	2003	MH220	MH010	MG4135	MC44	5	G
QA50	1970 - 1975		MH060			14	B
SB50 Pal	1987 - 1993	MH209				5	A
SL100 K1-K2-A	1971 - 1972	MH212	MH001	MG3732	MC40	5	B
SL125 K1-D	1972	MH212-1	MH001-1	MG3732	MC40	5	B
TL125	1973 - 1976	MH215	MH015	MG3529	MC38	5	D
TLR200	1986 - 1987	MH217	MH009	MG3529	MC38	5	E
TLR250	1986 - 1987	MH217-1				5	F
TR200 Fatcat	1986 - 1987	MH214	MH014	MG3026	MC33	5	C
XL75 Complete	1977 - 1979	MH221				6	A
XL100 K1-K2-A	1975 - 1976	MH222	MH001-2		MC35	6	B
XL100 K3-K4	1978 - 1979	MH223-1	MH013-1	MG3732	MC40	6	C
XL100 SB Complete - Twin Shock	1981	MH225				6	D

## MUSKET HONDA TRAIL & VINTAGE cont.

MODEL	YEAR	MUFFLER	HEADER	GASKET	CLAMP	PAGE	PHOTO
XL100 SZ-F	1979 - 1985	MH226	MH006	MG3529	MC38	6	E
XL125 K2	1977	MH223-2	MH013-2	MG3732	MC40	6	C
XL125 R	1994 - 1999	MH227	MH021	MG3529	MC38	6	G
XL125 SB-SF	1981 - 1985	MH226-1	MH017	MG3529	MC38	6	F
XL185 S	1979 - 1983	MH226-2	MH017-1	MG3529	MC38	6	F
XL200 R	1983 - 1984	MH228	MH020	MG4035	MC43	6	H
XL200 S-F	1985	MH226-3	MH017-2	MG3529	MC38	6	F
XL250 A	1980	MH230	MH030	MG3529	MC38	7	B
XL250 Complete - Motosport	1972 - 1973	MH229				7	A
XL250 RB-C-D Prolink	1981 - 1983	MH231	MH031	MG4235	MC45	7	C
XL250 RE-F-G-H	1984 - 1987	MH232	MH041-1	MG4438	MC47	7	D
XL250 S-SB	1978 - 1981	MH230-1	MH030-1	MG3529	MC38	7	B
XL400 R	1982	MH233	MH046	MG4943	MC52	7	E
XL500 RB-C-D	1981 - 1983	MH233-1	MH046-1	MG4943	MC52	7	E
XL500 S-SB Twin shock	1978 - 1981	MH246	MH046-2	MG4943	MC52	9	B
XL600 R	1983 - 1987	MH235		MG4943	MC52	7	G
XL650 L	1990	MH251-1		MG4942	MC52	9	H
XLR125 Brazilian	2000	MH236	MH036	MG4236	MC45	7	H
XLV 750 Twin mufflers	1986 - 1987	MH255				10	D
XR70 Complete	1997 - 2003	MH234				7	F
XR80 A-B Complete - Twin shock	1980 - 1981	MH225-1				6	D
XR80 R Complete - Prolink	1985 - 2000	MH238				8	B
XR100 R Complete - Prolink	1985 - 2000	MH238-1				8	B
XR100 R1 Complete	2000 - 2002	MH256				10	E
XR185 A	1980	MH226-4	MH017-3	MG3529	MC38	6	F
XR200 A	1980	MH226-5	MH017-4	MG3529	MC38	6	F
XR200 P-2	1993 - 2002	MH254	MH039-1	MG3529	MC38	10	C
XR200 RB-C-D	1981 - 1983	MH239	MH039	MG3529	MC38	8	C
XR200 RE-F	1984 - 1985	MH240	MH040	MG4438	MC47	8	D
XR200 RG-H-J-K-L-M-N	1986 - 1992	MH241	MH039-1	MG3529	MC39	8	E
XR250 A	1980	MH245	MH045	MG4035	MC43	9	A
XR250 L	2005	MH258	MH041	MG4638	MC49	10	F
XR250 RB-C-D	1981 - 1983	MH247	MH047	MG4943	MC52	9	D
XR250 RE-F	1984 - 1985	MH240-1	MH040-1	MG4438	MC47	8	D
XR250 RG-H-J-K	1986 - 1989	MH242	MH041	MG4438	MC47	8	F
XR250 RG-S	1986 - 1995		MH041	MG4438	MC47	8	F
XR250 RL-M-N-P-S	1990 - 1995	MH244	MH041	MG4438	MC47	8	H
XR250 RT-Y	1996 - 2000	MH253	MH042	MG4438	MC47	10	B
XR350 R	1983 - 1985	MH243	MH043	MG4438	MC47	8	G
XR400 V	1997	MH252	MH042-1	MG4438	MC47	10	A
XR500 A Twin Shock	1980	MH246-1	MH046-3	MG4943	MC52	9	B
XR500 A-RB-C-D	1981 - 1983	MH247-1	MH046-3	MG4943	MC52	9	C
XR500 RE	1984	MH248	MH048	MG4943	MC52	9	E
XR600 RF-G-H-M-N Single Pipe	1985 - 1992	MH249	MH049	MG4943	MC52	9	F
XR600 RJ-K-L Double Pipe	1988 - 1990	MH250	MH050	MG3529 x2	MC38 x2	9	G
XR600 RP-R	1992 - 1993	MH251		MG4942	MC52	9	H
XRB 200R	2000	MH220-1				5	H
Z50 A Rigid Frame	1968 - 1978	MH205	MH005	MG2519	MC28	4	E
Z50 J Complete to May	<1982	MH206				4	F
Z50 R Complete from May	1982>	MH207				4	G
Z50 T Complete	1996	MH208				4	H

Honda flanges and collets available

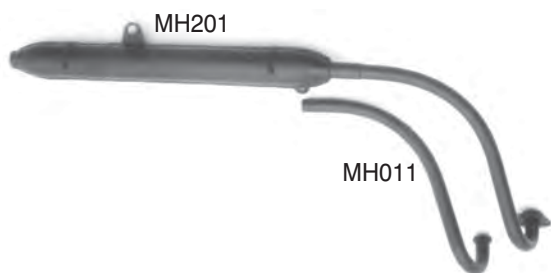
# MUSKET



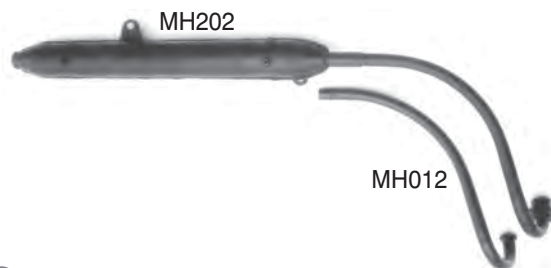
## MUFFLERS

[WWW.MUSKET.CO.NZ](http://WWW.MUSKET.CO.NZ)

### MUSKET HONDA



A



B



C



D



E



F



G



H

Please use part numbers when ordering and refer to index for model number.

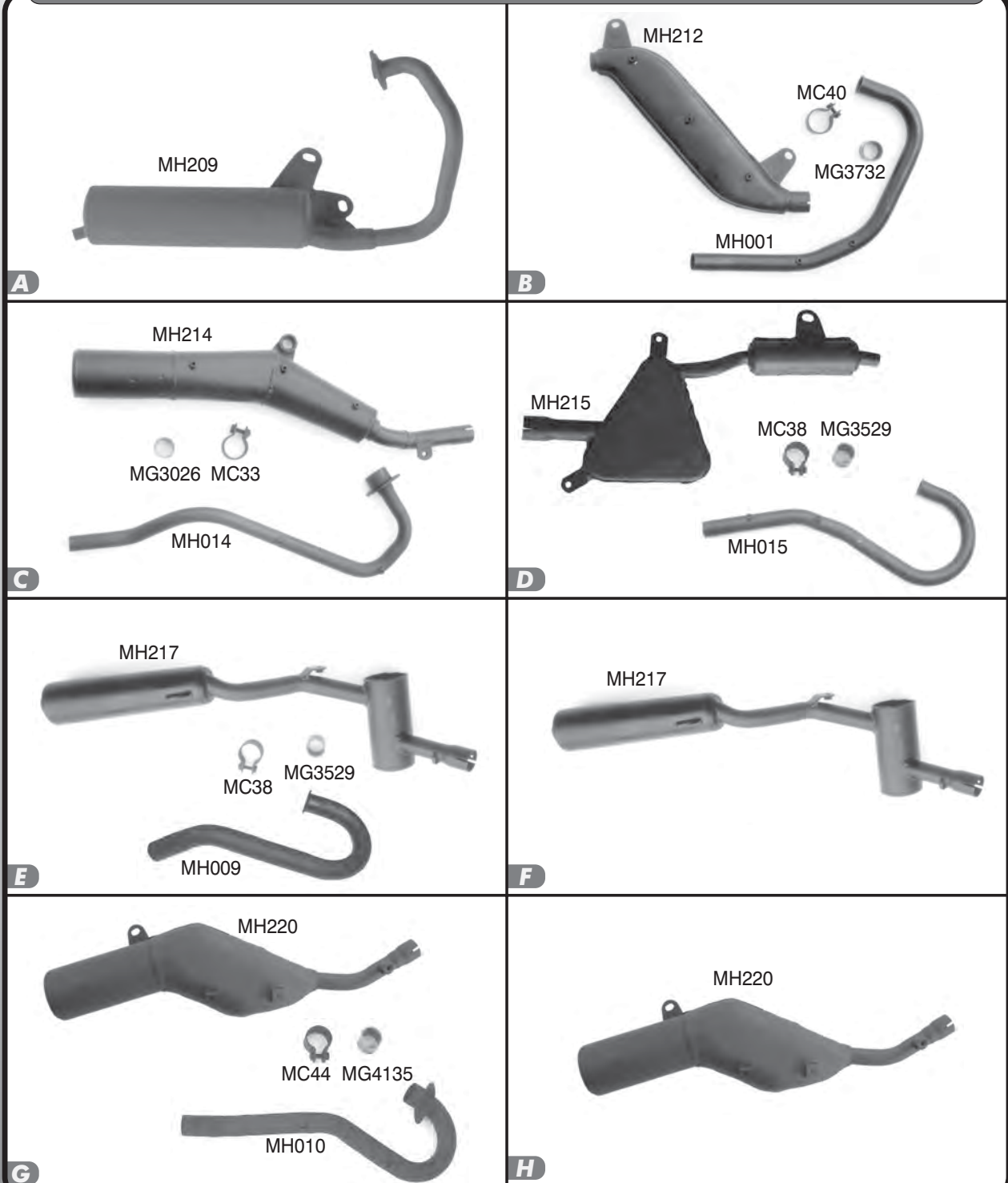
# MUSKET



## MUFFLERS

WWW.MUSKET.CO.NZ

### MUSKET HONDA



Please use part numbers when ordering and refer to index for model number.

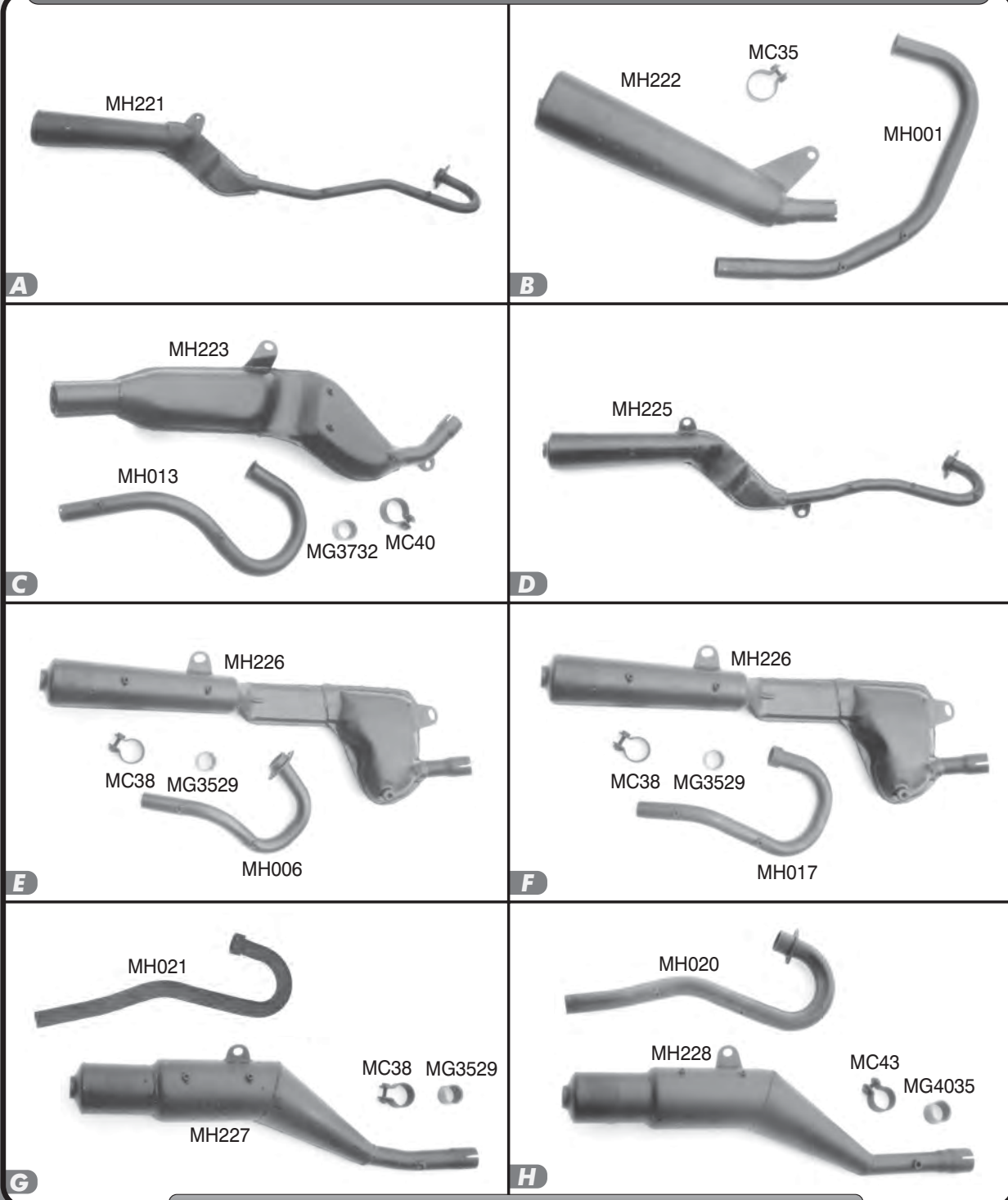
# MUSKET



## MUFFLERS

WWW.MUSKET.CO.NZ

### MUSKET HONDA



Please use part numbers when ordering and refer to index for model number.



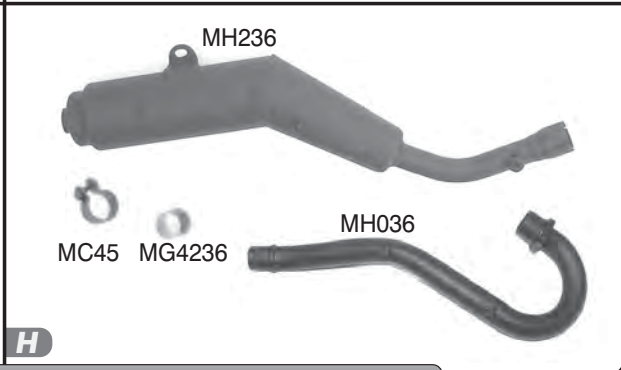
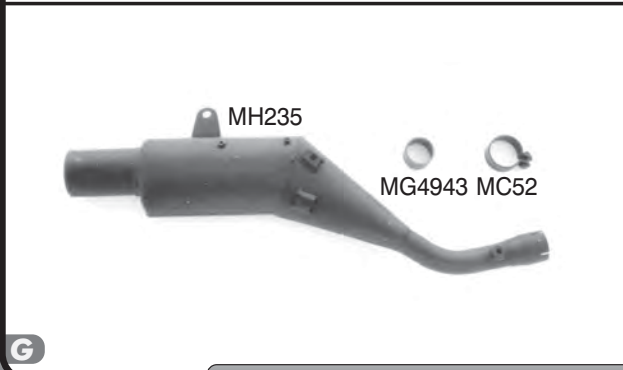
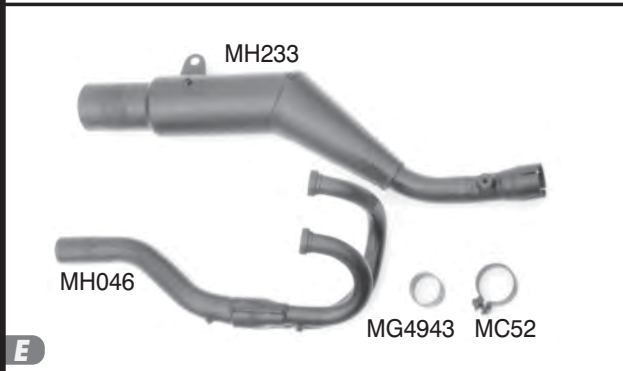
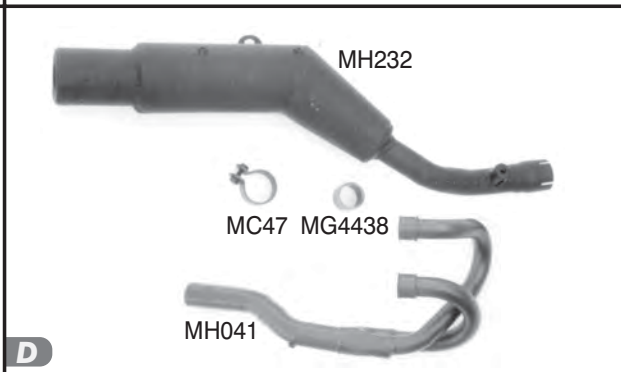
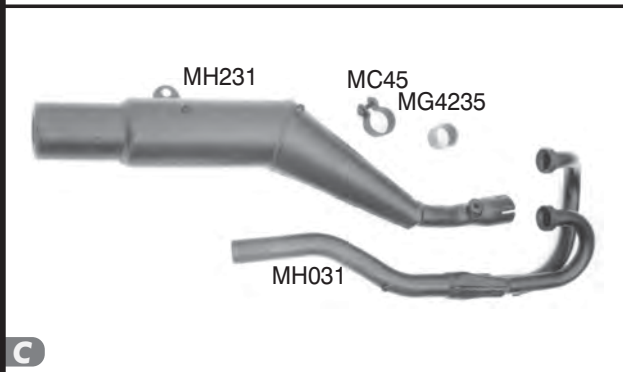
# MUSKET



## MUFFLERS

WWW.MUSKET.CO.NZ

### MUSKET HONDA



Please use part numbers when ordering and refer to index for model number.

# MUSKET



## MUFFLERS

WWW.MUSKET.CO.NZ

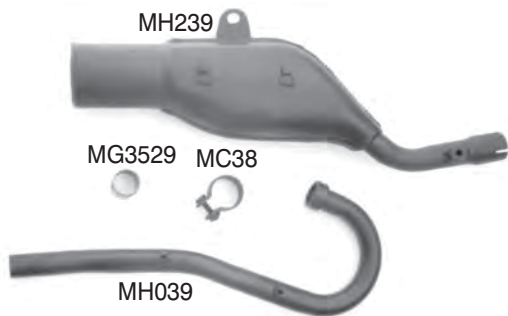
### MUSKET HONDA



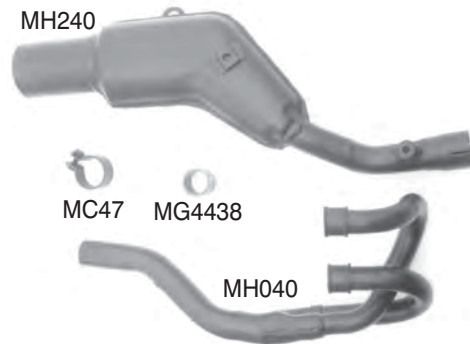
A



B



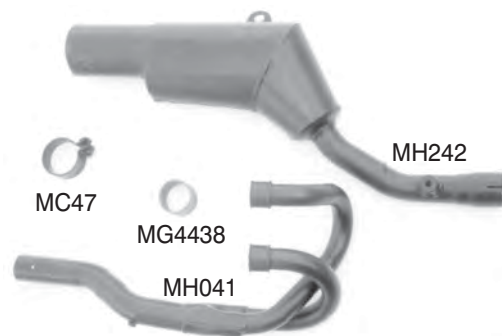
C



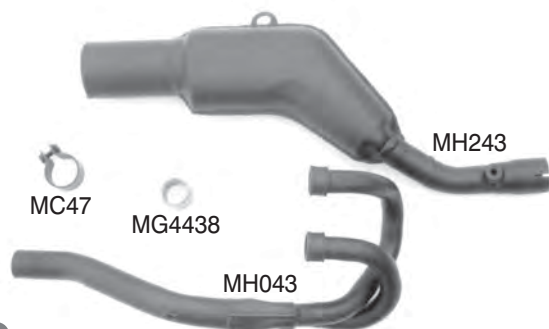
D



E



F



G



H

Please use part numbers when ordering and refer to index for model number.

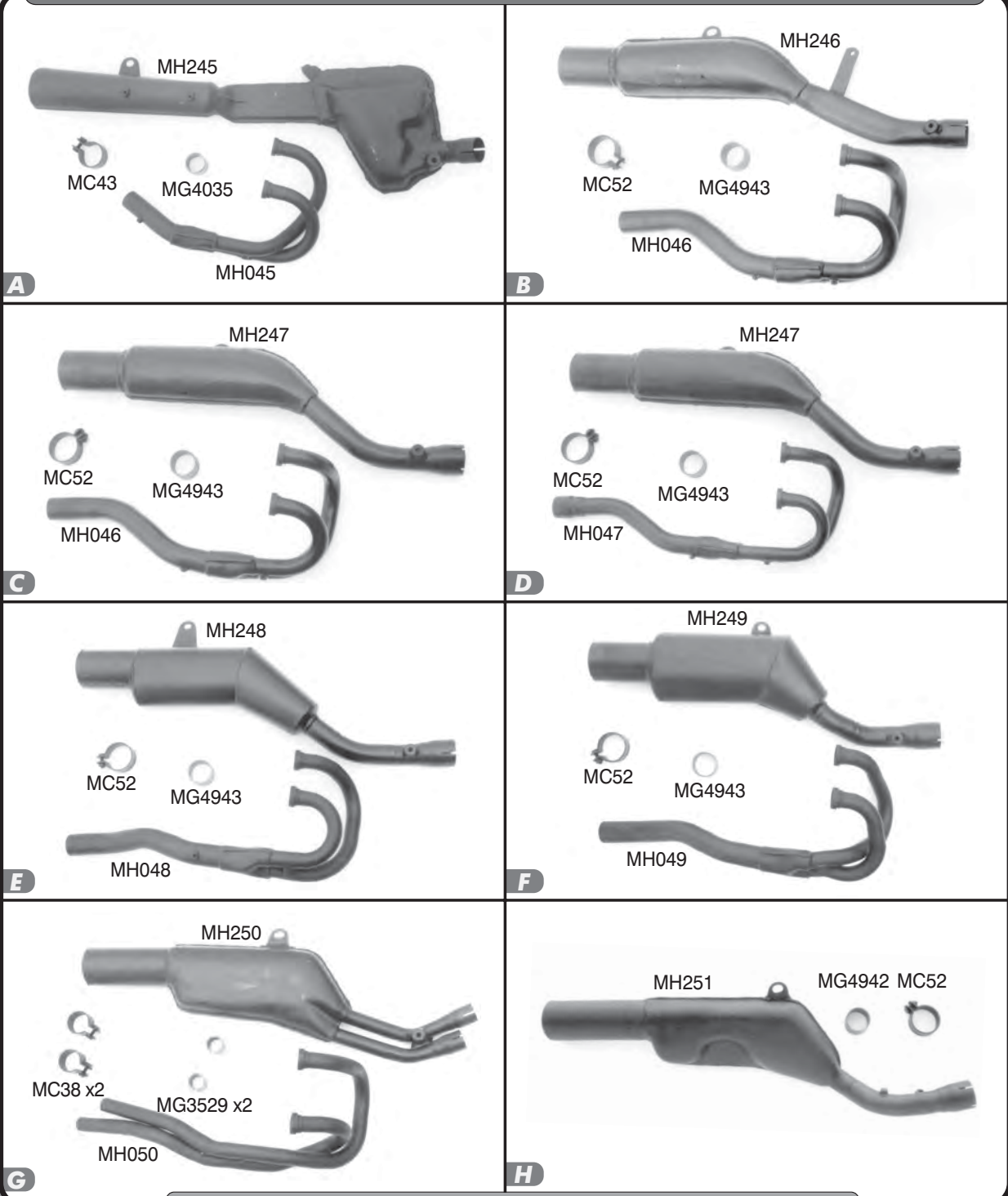
# MUSKET



## MUFFLERS

WWW.MUSKET.CO.NZ

### MUSKET HONDA



Please use part numbers when ordering and refer to index for model number.



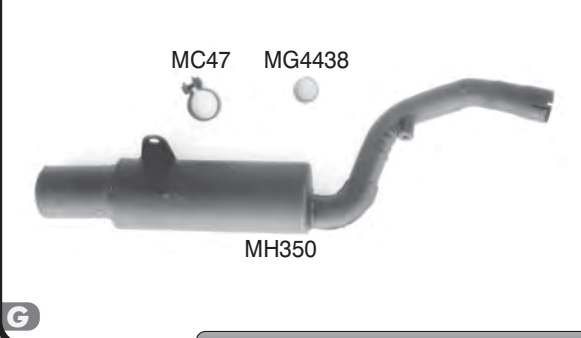
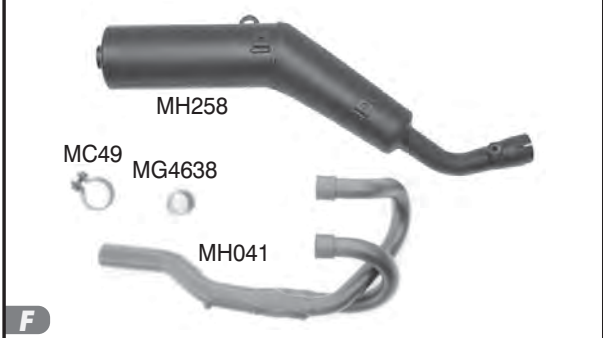
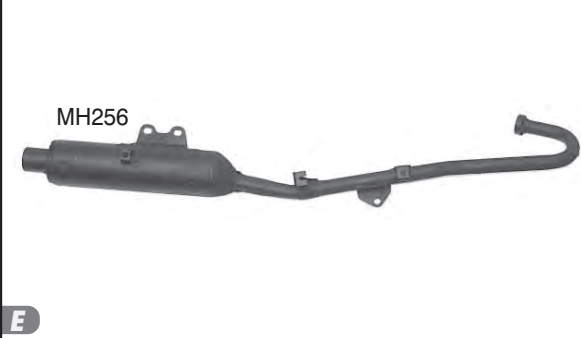
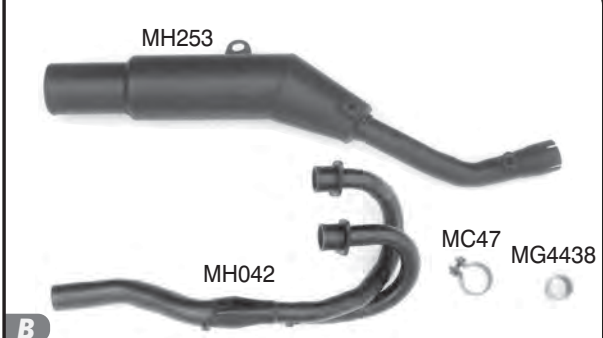
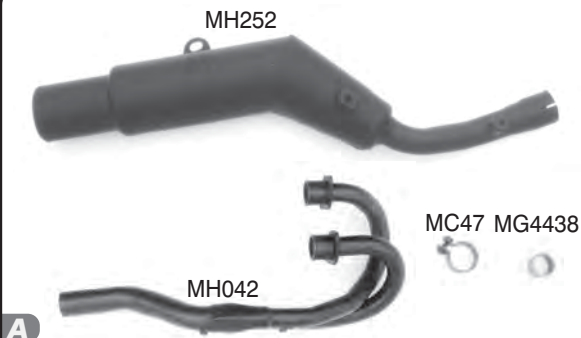
# MUSKET



## MUFFLERS

WWW.MUSKET.CO.NZ

### MUSKET HONDA



Please use part numbers when ordering and refer to index for model number.

# MUSKET

## MUFFLERS



[WWW.MUSKET.CO.NZ](http://WWW.MUSKET.CO.NZ)

### MUSKET HONDA



MH352

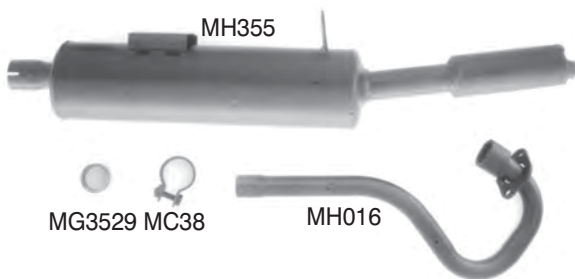
**A**

This model of Musket MH352 ATC110 has been modified to be installed on outside of bike.



MH354

**B**

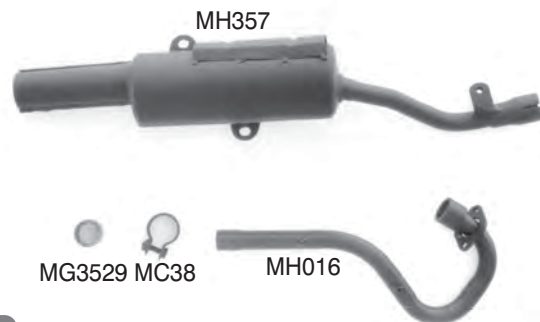


MH355

MG3529 MC38

MH016

**C**

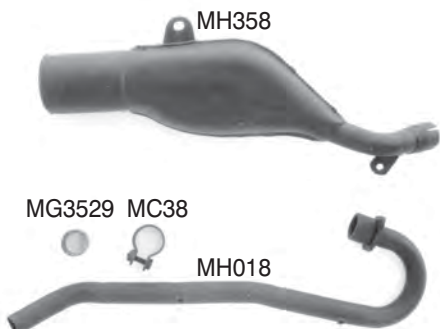


MH357

MG3529 MC38

MH016

**D**

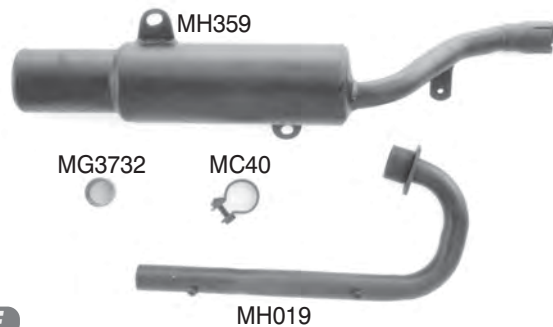


MH358

MG3529 MC38

MH018

**E**



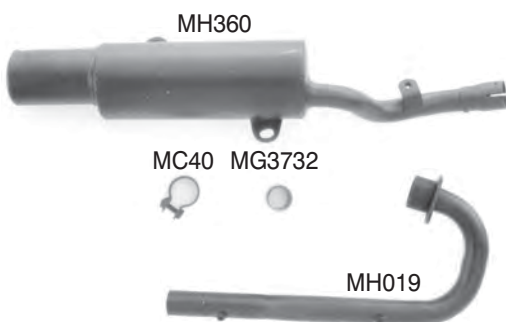
MH359

MG3732

MC40

MH019

**F**



MH360

MC40 MG3732

MH019

**G**



MH462

**H**

Please use part numbers when ordering and refer to index for model number.




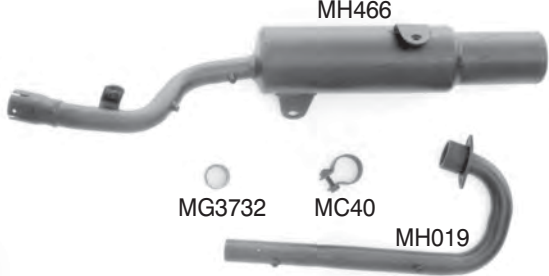
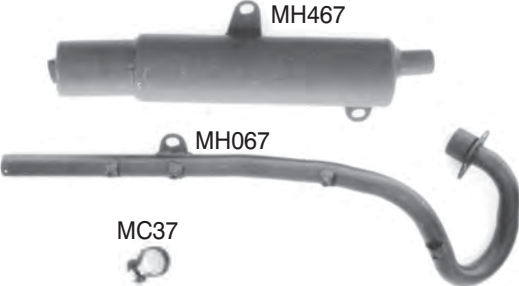

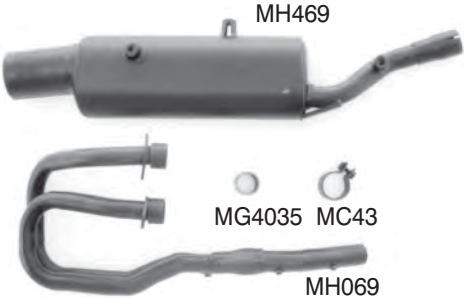

# MUSKET



## MUFFLERS

WWW.MUSKET.CO.NZ

### MUSKET HONDA

<p><b>A</b></p>  <p>MH463</p>	<p><b>B</b></p>  <p>MH464 MG3529 MC38 MH064</p>
<p><b>C</b></p>  <p>MH465 MG3529 MC38</p>	<p><b>D</b></p>  <p>MH466 MG3732 MC40 MH019</p>
<p><b>E</b></p>  <p>MH467 MH067 MC37</p>	<p><b>F</b></p>  <p>MH468</p>
<p><b>G</b></p>  <p>MH469 MG4035 MC43 MH069</p>	<p><b>H</b></p>  <p>MH470</p> <p>Expansion bend on header pipe is a Musket modification for TRX300 P.</p>

Please use part numbers when ordering and refer to index for model number.

# MUSKET

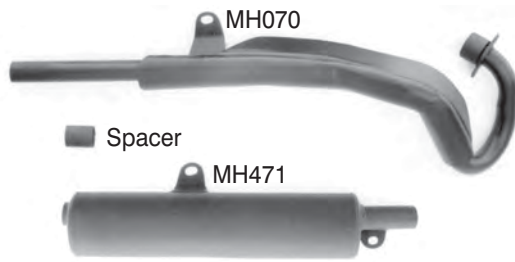


## MUFFLERS

[WWW.MUSKET.CO.NZ](http://WWW.MUSKET.CO.NZ)

### MUSKET HONDA

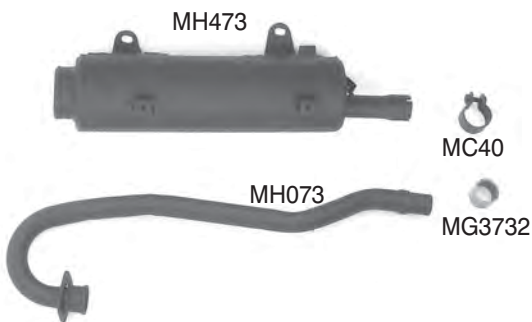
Expansion bend on header pipe is a Musket modification for TRX300 P.



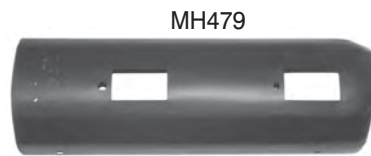
**A**



**B**

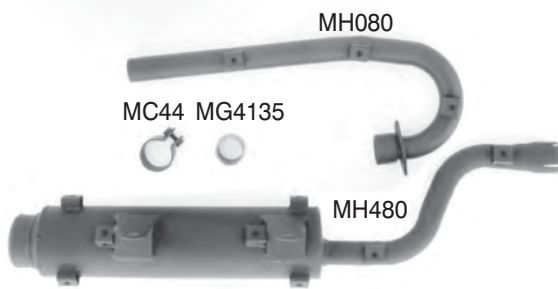


**C**

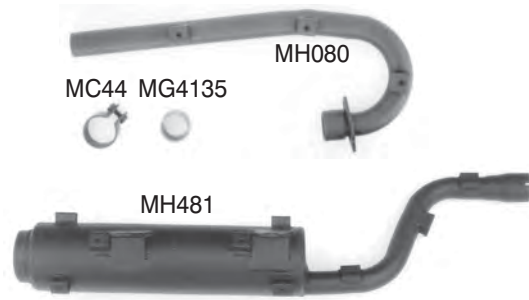


Heatshield for TRX400 & TRX450

**D**



**E**



**F**



**G**



**H**

Please use part numbers when ordering and refer to index for model number.

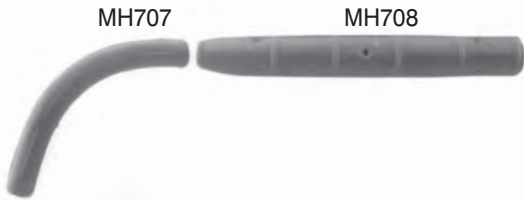

# MUSKET



## MUFFLERS

[WWW.MUSKET.CO.NZ](http://WWW.MUSKET.CO.NZ)

### MUSKET HONDA

 <p>MH707      MH708</p> <p><b>A</b>      Heatshields for CT90's and CT110's      <b>B</b></p>	 <p>MH060</p>
<p><b>C</b></p>	<p><b>D</b></p>
<p><b>E</b></p>	<p><b>F</b></p>
<p><b>G</b></p>	<p><b>H</b></p>

Please use part numbers when ordering and refer to index for model number.