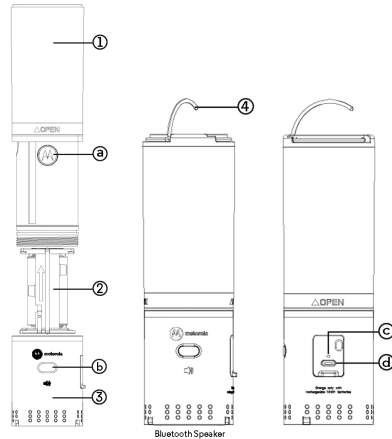


Congratulations on your choice of the **Motorola LUM0150B** Modular Light. The **Motorola LUM0150B** combines high performance Flashlight / Lantern and Bluetooth Speaker. Please take a few moments to read this user guide to ensure that you get the best performance.

Included

- 1 X Motorola Flashlight Lantern
- 1 X Bluetooth Speaker Module
- 1 X USB to micro-USB cable (power charger only)

- ① Flashlight/Lantern tube
- ② Batteries Holder
- ③ Bluetooth Speaker
- ④ Hanging Hook
- Ⓐ "M" Button
- Ⓑ Bluetooth Speaker "ON/OFF" Button
- Ⓒ LED indicator
- Ⓓ micro-USB Power Input



Product Specifications

Module	Flashlight / Lantern	Bluetooth Speaker
Size	Ø51.5*153mm	Ø51.5*64mm
Operation voltage	3-6V	3-6V
Batteries Type	AA Ni-MH rechargeable	AA Ni-MH rechargeable
Battery quantity	4pcs	NIL
LED	Cree XPG2	NIL
Lumens	Max.180Lm	NIL
Operation button	M logo button	ON / OFF
Max. operation time	→5H	→5H
Charging current	NIL	Max.250mA
Low Power LED indication	NIL	Voice indicator
Charging LED indication	NIL	Red/Green alternatively
Full Charging LED indication	NIL	Green LED on
Charging time (1300mA)	NIL	Min.8H
Charging USB port	NIL	Micro USB
Water proof	IPX4	IPX4

Flashlight/Lantern with Bluetooth Speaker Module

1. Unscrew the Bluetooth Speaker module by turning counterclockwise ① & ③. Take out the battery holder ② and insert 4 AA alkaline or rechargeable batteries.
2. Position batteries according to polarity marking ②, and screw the Bluetooth Speaker module by turning clockwise.
3. To turn the Flashlight / Lantern on, pull the globe and press the "M" button Ⓐ, the flashlight will always turn on at the brightest setting with the lantern mode. Hold the "M" button Ⓐ down can dim or brighten. The light will flash twice at the lowest / brightest level.
 - Do not attempt to charge alkaline batteries.
 - Do not mix old and new batteries.
 - Do not mix alkaline, standard (carbon-zinc), or rechargeable (Ni-Cd, Ni-MH, etc.) batteries.
4. To enable flashlight mode, collapse the globe.
5. Press and hold the "ON/OFF" button Ⓑ for 2 to 3 seconds to switch on the Bluetooth Speaker module.

Voice reminder after the Bluetooth Speaker being activated:

1. When the Bluetooth Speaker module is on, voice indicator will say "Hello, This system is ON. Enter pairing mode".
2. When pairing is completed, the voice indicator will say "Connected".
3. When it is disconnected, the voice indicator will say "Disconnected, Enter pairing mode".
4. When the Bluetooth Speaker cannot be connected successfully, the voice indicator will say "Enter pairing mode".
5. Press and hold the "ON/OFF" button Ⓑ again to switch off the Bluetooth Speaker module, the voice indicator will say "Bye Bye".
6. When the battery is low, the voice indicator will say "Low Battery".

If the Bluetooth Speaker module did not pair with any devices, the voice indicator will say "Enter pairing mode" every 3 minutes until the module is paired.

If the Bluetooth Speaker module cannot pair with any devices within 15 minutes, the voice indicator will say "Bye Bye" and switch off the unit automatically.

6. To disconnect the Bluetooth Speaker connection by holding the "ON/OFF" button Ⓑ for 2 seconds.
7. When the Flashlight / Bluetooth Speaker at low battery level, the voice indicator will say "Low Battery" to remind the unit needs to be re-charged.
8. Remove the USB charger cover and connect with the USB cable to charge the unit. The unit is charging if the green / red light Ⓒ flashing alternatively. For example, it will take around 7 hours to fully re-charge a 1300mAh Ni-MH battery and the green light is on when the unit is being fully charged.

IC in English & French

English

This device complies with Industry Canada Licence-exempt RSS-standard(s). Operation is subject to the following two conditions: (1) this device may not cause interference, and (2) this device must accept any interference, including interference that may cause undesired operation of the device.

French

Cet appareil est conforme avec l' Industrie au Canada, exempts de licence RSSs. Son fonctionnement est soumis aux deux conditions suivantes: (1) ce dispositif ne doit pas causer d'interferences nuisibles et (2) cet appareil doit accepter toute interference, y compris les interferences qui peuvent entrainer un mauvais fonctionnement de l' appareil.

CAN ICES-3(B)/NMB-3(B)

FCC

Warning: Changes or modifications to this unit not expressly approved by the party responsible for compliance could void the user's authority to operate the equipment.

NOTE: This equipment has been tested and found to comply with the limits for a Class B digital device, pursuant to Part 15 of the FCC Rules. These limits are designed to provide reasonable protection against harmful interference in a residential installation. This equipment generates, uses and can radiate radio frequency energy and, if not installed and used in accordance with the instructions, may cause harmful interference to radio communications.

However, there is no guarantee that interference will not occur in a particular installation. If this equipment does cause harmful interference to radio or television reception, which can be determined by turning the equipment off and on, the user is encouraged to try to correct the interference by one or more of the following measures:

- Reorient or relocate the receiving antenna.
- Increase the separation between the equipment and receiver.
- Connect the equipment into an outlet on a circuit different from that to which the receiver is connected.
- Consult the dealer or an experienced radio/TV technician for help.

This device complies with Part 15 of the FCC Rules. Operation is subject to the following two conditions: (1) this device may not cause harmful interference, and (2) this device must accept any interference received, including interference that may cause undesired operation.

FCC ID:2ALKOB150
IC:21854-B150

Product Warranty

Consumer Products and Accessories Limited Warranty ("Warranty")

Thank you for purchasing this Motorola branded product manufactured under license by Zenus Technology Limited, 5000 Peachtree Industrial Blvd., Suite 160, Berkeley Lake, GA 30071. ("ZENUS")

What Does this Warranty Cover?

Subject to the exclusions contained below, ZENUS warrants that this Motorola branded product ("Product") or certified accessory ("Accessory") sold for use with this product is manufactured to be free from defects in materials and workmanship under normal consumer usage for the period outlined below. This Warranty is your exclusive warranty and is not transferable.

Who is covered?

This Warranty extends only to the first consumer purchaser, and is not transferable.

What will ZENUS do?

ZENUS or its authorized distributor at its option and within a commercially reasonable time, will at no charge repair or replace any Products or Accessories that do not conform to this Warranty. We may use functionally equivalent reconditioned/ refurbished/ pre-owned or new Products, Accessories or parts.

What Other Limitations Are There?

ANY IMPLIED WARRANTIES, INCLUDING WITHOUT LIMITATION THE IMPLIED WARRANTIES OF MERCHANTABILITY AND FITNESS FOR A PARTICULAR PURPOSE, SHALL BE LIMITED TO THE DURATION OF THIS LIMITED WARRANTY. OTHERWISE THE REPAIR OR REPLACEMENT PROVIDED UNDER THIS EXPRESS LIMITED WARRANTY IS THE EXCLUSIVE REMEDY OF THE CONSUMER, AND IS PROVIDED IN LIEU OF ALL OTHER WARRANTIES, EXPRESS OR IMPLIED. IN NO EVENT WILL MOTOROLA MOBILITY LLC, MOTOROLA TRADEMARK HOLDINGS, LLC, LENOVO GROUP LIMITED, MANUFACTURER, DISTRIBUTOR, OR ZENUS TECHNOLOGY LIMITED BE LIABLE FOR ANY INCIDENTAL, DIRECT, INDIRECT, SPECIAL, PUNITIVE OR CONSEQUENTIAL DAMAGES (SUCH AS BUT NOT LIMITED TO, DAMAGES FOR LOSS OF PROFITS, BUSINESS, SAVINGS, DATA OR RECORDS) RELATED TO THIS PRODUCT. EXCEPT AS STATED HEREIN, NO OTHER WARRANTIES SHALL APPLY.

Some jurisdictions do not allow the limitation or exclusion of incidental or consequential damages, or limitation on the length of an implied warranty, so the above limitations or exclusions may not apply to you. This warranty gives you specific legal rights, and you may also have other rights that vary from one jurisdiction to another.

Products Covered	Length of Coverage
Consumer Products	One (1) year (or as otherwise required by law) from the date of the products original purchase by the first consumer purchaser of the product.
Consumer Accessories	Ninety (90) days from the date of the accessories original purchase by the first consumer purchaser of the product.
Consumer Products and Accessories that are Repaired or Replaced	The balance of the original warranty or for ninety (90) days from the date returned to the consumer, whichever is longer.

Exclusions

Normal Wear and Tear. Periodic maintenance, repair and replacement of parts due to normal wear and tear are excluded from coverage.

Abuse & Misuse. Defects or damage that result from: (a) improper operation, storage, misuse or abuse, accident or neglect, such as physical damage (cracks, scratches, etc.) to the surface of the product resulting from misuse; (b) contact with liquid, water, rain, extreme humidity or heavy perspiration, sand, dirt or the like, extreme heat, or food; (c) use of the Products or Accessories for commercial purposes or subjecting the Product or Accessory to abnormal usage or conditions; or (d) other acts which are not the fault of MOTOROLA or ZENUS, are excluded from coverage.

Use of Non-Motorola branded Products and Accessories. Defects or damage that result from the use of Non-Motorola branded or certified Products or Accessories or other peripheral equipment are excluded from coverage.

Unauthorized Service or Modification. Defects or damages resulting from service, testing, adjustment, installation, maintenance, alteration, or modification in any way by someone other than MOTOROLA, ZENUS or its authorized service centers, are excluded from coverage.

Altered Products. Products or Accessories with (a) serial numbers or date tags that have been removed, altered or obliterated; (b) broken seals or that show evidence of tampering; (c) mismatched board serial numbers; or (d) nonconforming or non-Motorola branded housings, or parts, are excluded from coverage.

How to Obtain Warranty Service or Other Information?

To obtain service or information, please call:

USA and CANADA: (866) 740- 8245 or email at support@altistec.com

Manufactured, distributed or sold by Zenus Technology Limited, official licensee for this product. MOTOROLA, the Stylized Motorola Logo and the Stylized M Logo are trademarks or registered trademarks of Motorola Trademark Holdings, LLC, and are used under license. All other trademarks are the property of their respective owners. ©2017 Motorola Mobility LLC.

Please contact customer service at (866) 740- 8245 for questions, comments, warranty, support or service related to this product.