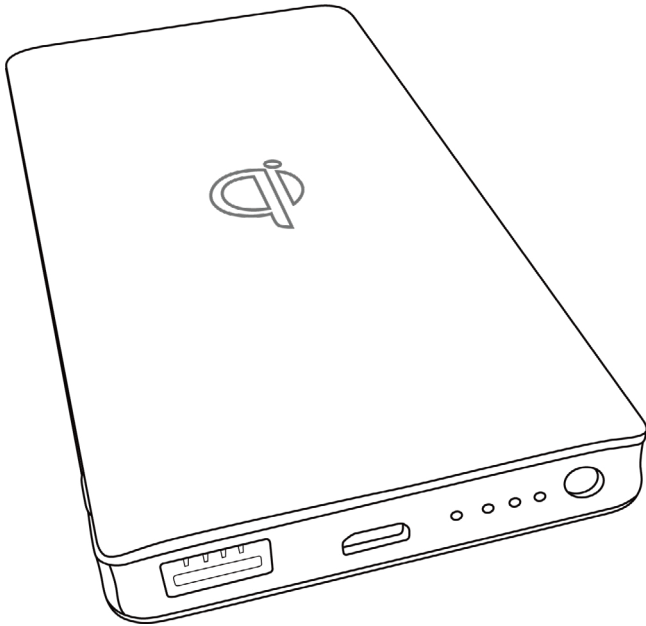


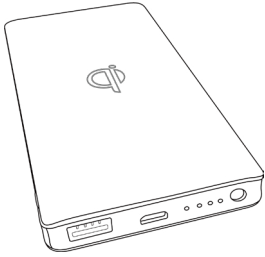
ALLDOCK



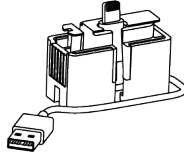
WIRELESS POWERBANK

ASSEMBLY INSTRUCTION

A. SCOPE OF DELIVERY



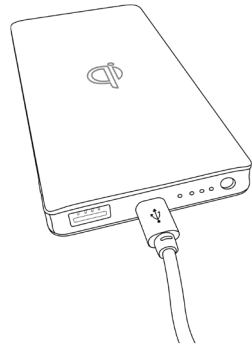
ALLDOCK WIRELESS POWERBANK



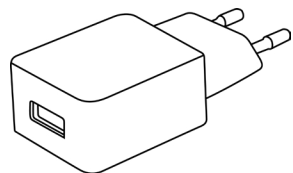
ClickIn-Adapter +
Micro-USB-Cable

B. CHARGING POWERBANK

1. To charge the Powerbank, please connect the Powerbank to a USB port via the Mirco USB slot.

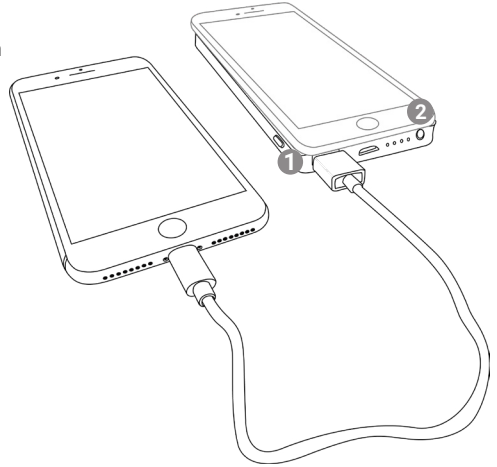


2. Charges even faster with an adapter (not provided in scope of delivery)



C. CHARGING DEVICES

1. When the button is pressed once, the LED indicators will illuminate to show how much battery capacity is left. When held down, the button turns off the LED indicators and stops any device charging taking place.

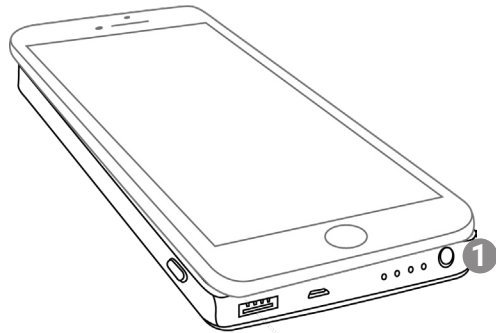


2. When pressed twice fast, the button turns the built-in LED flashlight on/off.

D. WIRELESS CHARGING

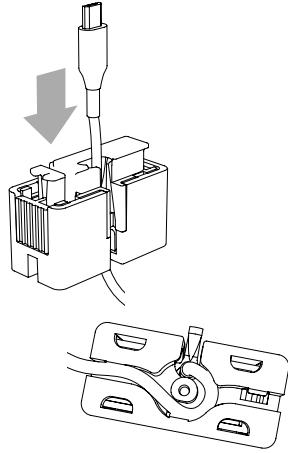
1. When the button is pressed once, the LED indicators illuminate (main LED indicator: red others: blue) and the wireless charging function will be activated. Put the smartphone on the powerbank and move it a little to find a best position for wireless charging.

When the button is pressed one more time while wireless charging, the button turns main LED indicator blue and stops wireless charging.

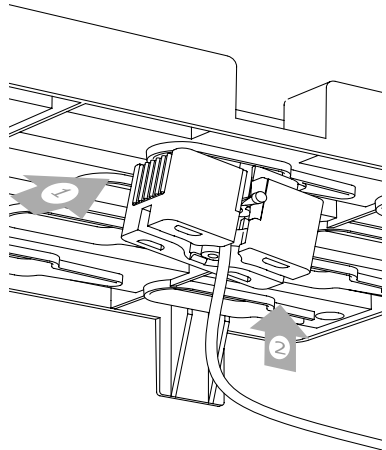


E. USE IN ALDDOCK

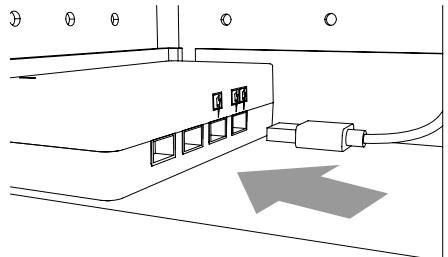
1. Put the suitable cable in the click-in adapter. Wrap the cable around the rod on the underside and press it firmly into the shaft. See illustration.



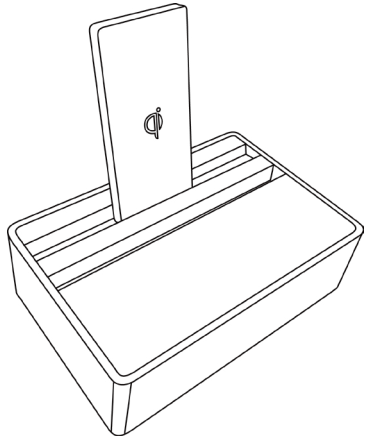
2. Combine the one-hand-click-in-adapter (with cable already) with Alldock top.



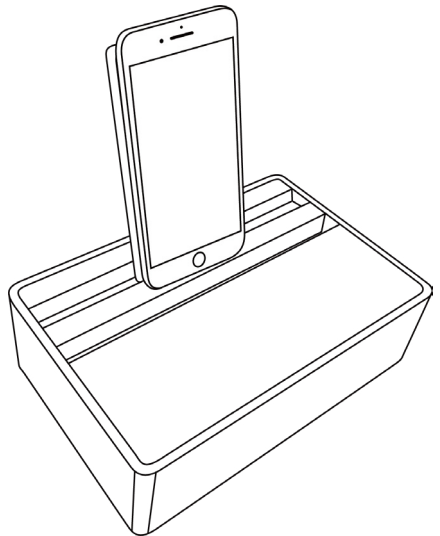
3. Connect USB cable to Charger.



1. Choose a port to charge the powerbank.



2. The rear slot is best for charging the smartphone with the Powerbank in the Alldock charging station.



LIMITED WARRANTY AND DISCLAIMERS

WARRANTY:

The following ALLDOCK GmbH products are covered by this warranty for a period of one year (2 years EU) from the date of purchase by the original user customer: ALLDOCK WIRELESS POWERBANK

ALLDOCK GmbH warrants to the original end user customer that the ALLDOCK WIRELESS POWERBANK is free from defects in material and workmanship. Subject to the conditions and limitations set forth below, ALLDOCK GmbH will, at its option, either repair or replace any part of the ALLDOCK WIRELESS POWERBANK which proves defective by reason of improper workmanship or materials. Repaired parts or replacement products will be provided by ALLDOCK GmbH on an exchange basis, and will be either new or recertified. All recertified products are tested to ensure that they are functionally equivalent to new products if ALLDOCK GmbH is unable to repair or replace the product, it will refund or credit the lesser of either the current value of the product at the time the warranty claim is made or the purchase price.

This limited warranty does not cover any damage to the product resulting from improper installation, accident, abuse, misuse, natural disaster, insufficient or excessive electrical supply, abnormal mechanical or environmental conditions, or any unauthorized disassembly, repair or modification. This limited warranty shall not apply if: (i) the product was not used in accordance with any accompanying instructions, or (ii) the product was not used for its intended purpose. This limited warranty also does not apply to any product on which the original identification information has been altered, obliterated or removed, that has not been handled or packaged correctly, that has been sold as second-hand or that has been resold contrary to U.S. and other applicable export regulations.

In the event a product has been discontinued, ALLDOCK GmbH, at its sole discretion shall either repair the product, offer to replace it with a comparable product or provide a refund at the lesser of the purchase price or the product's current value. Repaired or replacement products will continue to be covered by this limited warranty for the remainder of the original warranty term or ninety (90) days, whichever is longer. This limited warranty is non-transferable.

This warranty does not cover shipping, removal, installation or any other related costs. The end user must pay any shipping charged when returning a product under warranty. Follow the instructions on alldock.com to submit a claim under this warranty.

DISCLAIMERS:

TO THE EXTENT PERMITTED BY APPLICABLE LAW, THE FOREGOING IS THE COMPLETE WARRANTY FOR ALLDOCK GMBH PRODUCTS AND SUPERSEDES ALL OTHER WARRANTIES AND REPRESENTATIONS, WHETHER ORAL OR WRITTEN. EXCEPT AS EXPRESSLY SET FORTH ABOVE, NO OTHER WARRANTIES ARE GIVEN WITH RESPECT TO ALLDOCK GMBH PRODUCTS AND ALLDOCK GMBH EXPRESSLY DISCLAIMS ALL WARRANTIES NOT STATED HEREIN, INCLUDING, TO THE EXTENT PERMITTED BY APPLICABLE LAW, ANY WARRANTY THAT MAY EXIST UNDER NATIONAL, STATE, PROVINCIAL OR LOCAL LAW INCLUDING BUT NOT LIMITED TO ANY IMPLIED WARRANTY OF NON-INFRINGEMENT, MERCHANTABILITY OR FITNESS FOR A PARTICULAR PURPOSE. ALL WARRANTIES, WHETHER EXPRESS OR IMPLIED, ARE LIMITED TO THE PERIODS OF TIME SET FORTH ABOVE. SOME STATES OR OTHER JURISDICTIONS DO NOT ALLOW THE EXCLUSION OF IMPLIED WARRANTIES OR LIMITATIONS ON HOW LONG AN IMPLIED WARRANTY LASTS, SO THE ABOVE LIMITATIONS MAY NOT APPLY TO YOU.

ALLDOCK GMBH PRODUCTS ARE NOT AUTHORIZED FOR USE AS CRITICAL COMPONENTS IN LIFE SUPPORT EQUIPMENT OR FOR APPLICATIONS IN WHICH THE FAILURE OR MALFUNCTION OF THE PRODUCTS WOULD CREATE A SITUATION IN WHICH PERSONAL INJURY OR DEATH IS LIKELY TO OCCUR. ALLDOCK GMBH SHALL NOT BE LIABLE FOR THE DEATH OF ANY PERSON OR ANY LOSS, INJURY OR DAMAGE TO PERSONS OR PROPERTY BY USE OF PRODUCTS USED IN APPLICATIONS INCLUDING, BUT NOT LIMITED TO, MILITARY OR MILITARY-RELATED EQUIPMENT, TRAFFIC CONTROL EQUIPMENT, DISASTER PREVENTION SYSTEMS AND MEDICAL OR MEDICAL-RELATED EQUIPMENT. ALLDOCK GMBH'S TOTAL LIABILITY UNDER THIS OR ANY OTHER WARRANTY, EXPRESS OR IMPLIED, IS LIMITED TO REPAIR, REPLACEMENT OR REFUND. REPAIR, REPLACEMENT OR REFUND ARE THE SOLE AND EXCLUSIVE REMEDIES FOR BREACH OF WARRANTY OR ANY OTHER LEGAL THEORY. TO THE FULLEST EXTENT PERMITTED BY APPLICABLE LAW, ALLDOCK GMBH SHALL NOT BE LIABLE TO THE PURCHASER OR END USER CUSTOMER OF A ALLDOCK GMBH PRODUCT FOR ANY DAMAGES, EXPENSES, LOST DATA, LOST REVENUES, LOST SAVINGS, LOST PROFITS, OR ANY INCIDENTAL OR CONSEQUENTIAL DAMAGES ARISING FROM THE PURCHASE, USE OR INABILITY TO USE THE ALLDOCK GMBH PRODUCT. EVEN IF ALLDOCK GMBH HAS BEEN ADVISED OF THE POSSIBILITY OF SUCH DAMAGES. SOME STATES OR OTHER JURISDICTIONS DO NOT ALLOW THE EXCLUSION OR LIMITATION OF INCIDENTAL OR CONSEQUENTIAL DAMAGES. SO THE ABOVE LIMITATIONS OR EXCLUSIONS MAY NOT APPLY TO YOU. THIS LIMITED WARRANTY GIVES YOU SPECIFIC LEGAL RIGHTS, AND YOU MAY ALSO HAVE OTHER RIGHTS WHICH VARY FROM STATE TO STATE OR JURISDICTION TO JURISDICTION. DECLARATION OF CONFORMITY: REQUEST A COPY OF THE DECLARATION OF CONFORMITY HERE: SUPPORT@ALLDOCK.COM OR SUPPORT@ALLDOCK.DE

ALldOCK



Facebook: @alldock



Instagram: @alldock_eu



Twitter: @alldock_eu

www.alldock.com
www.alldock.de