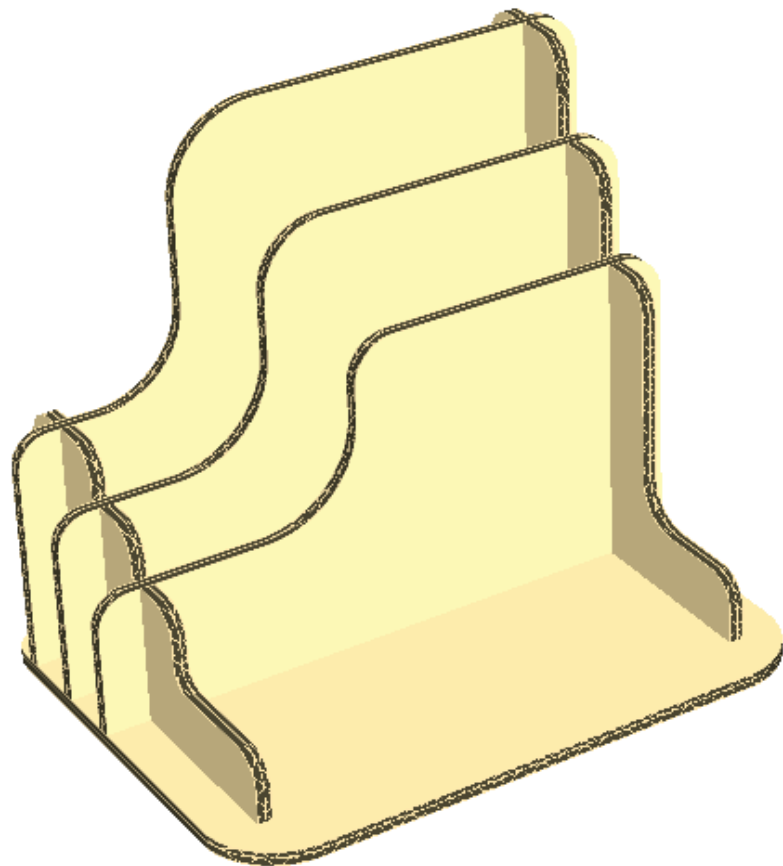


# WATERFALL

## Instruction Sheet



### CONTENT



A1



A2



B



C1

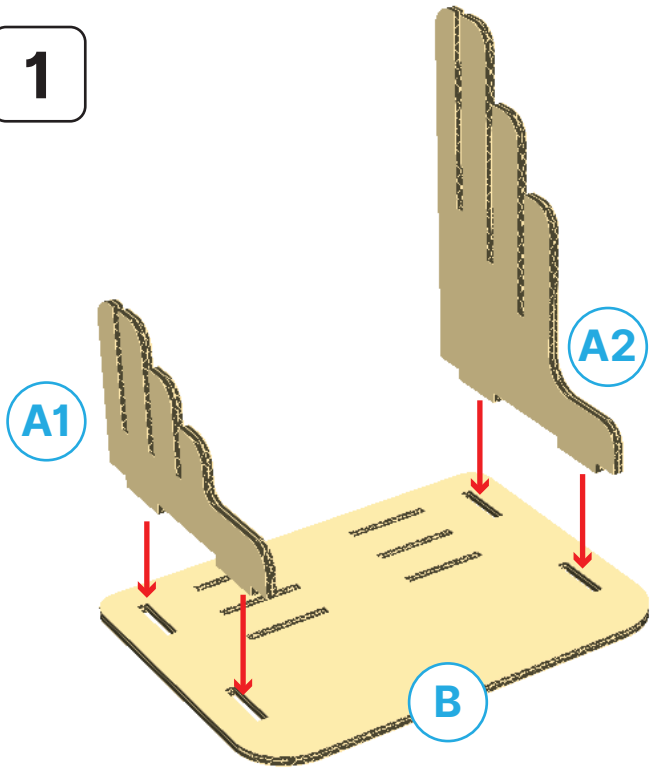


C2

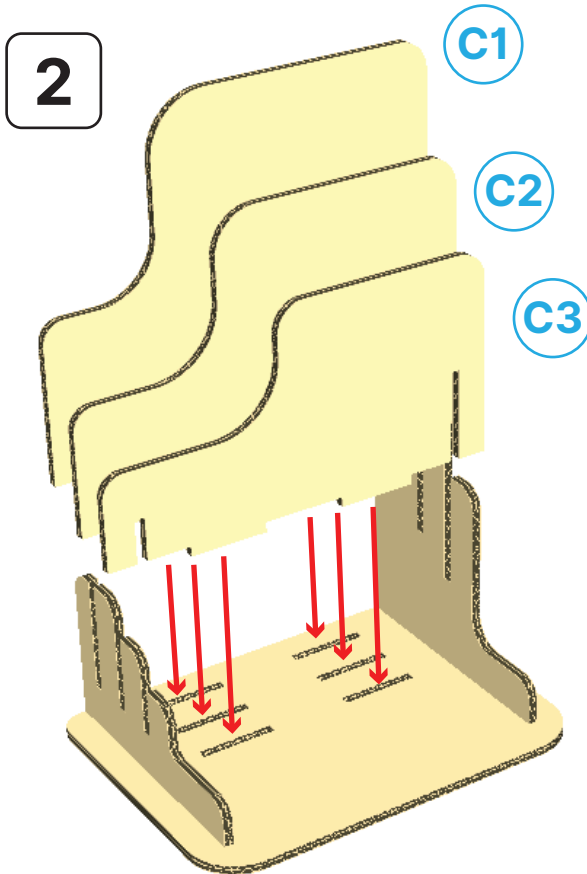


C3

1



2



3

