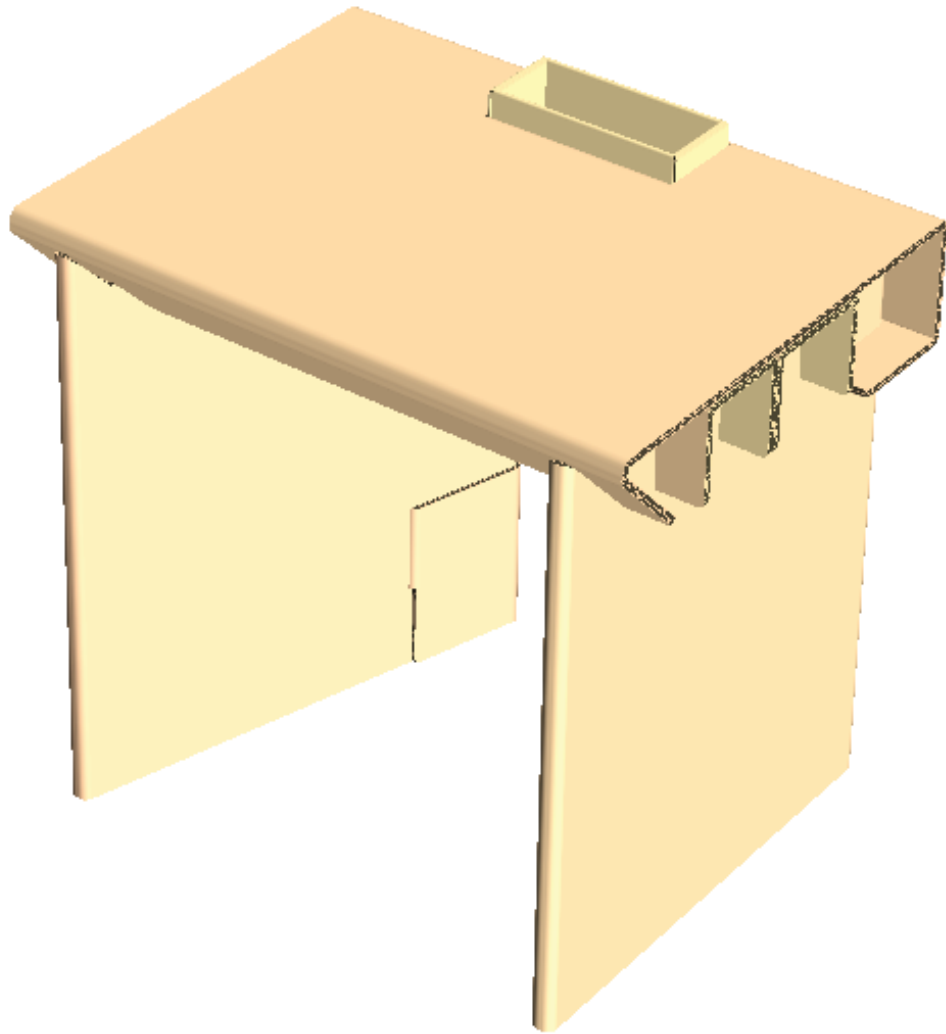


KidsPlay Table

Instruction Sheet

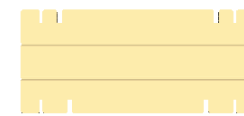


CONTENT

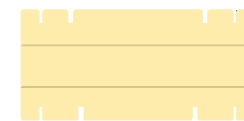
A



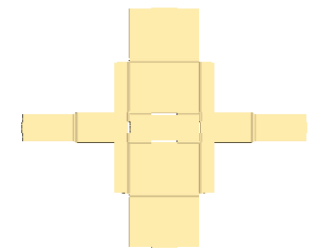
C



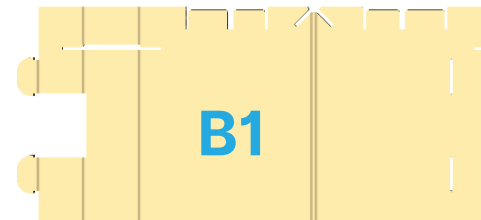
D



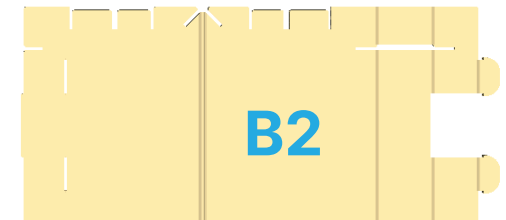
E



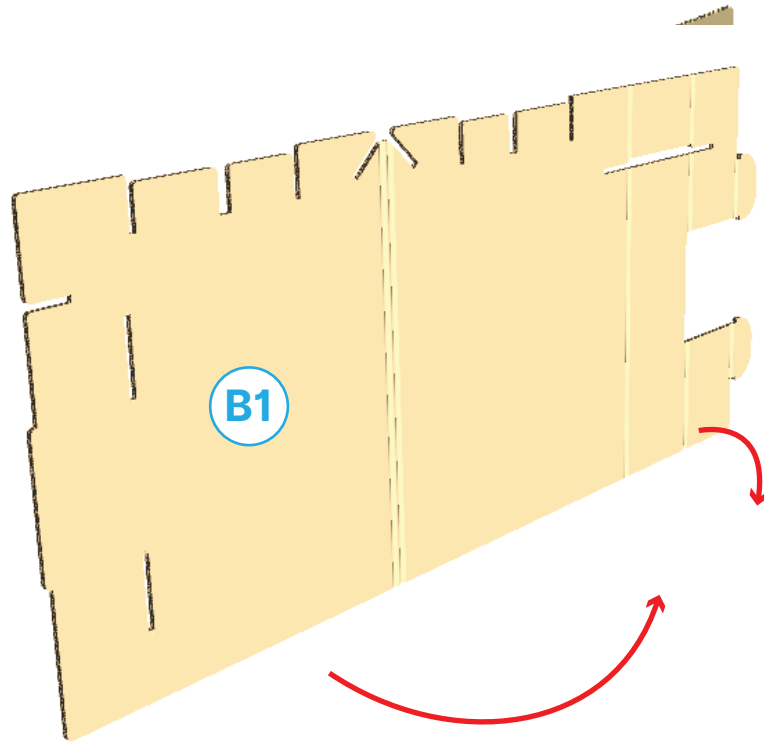
B1



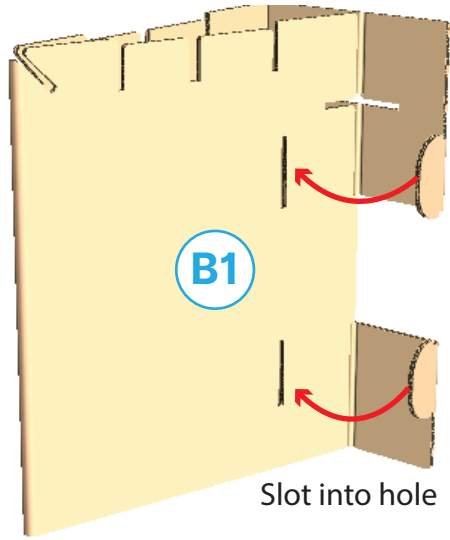
B2



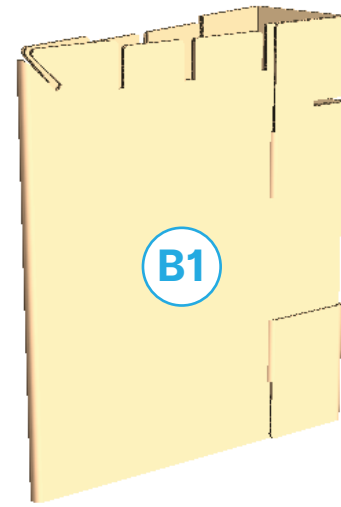
1



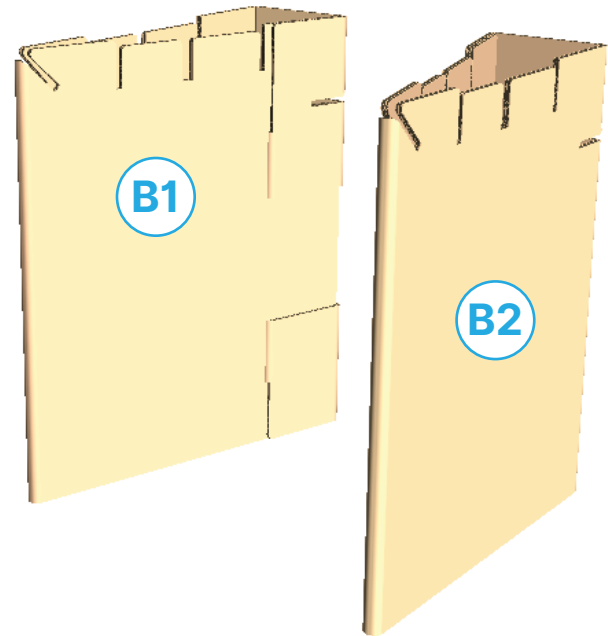
2



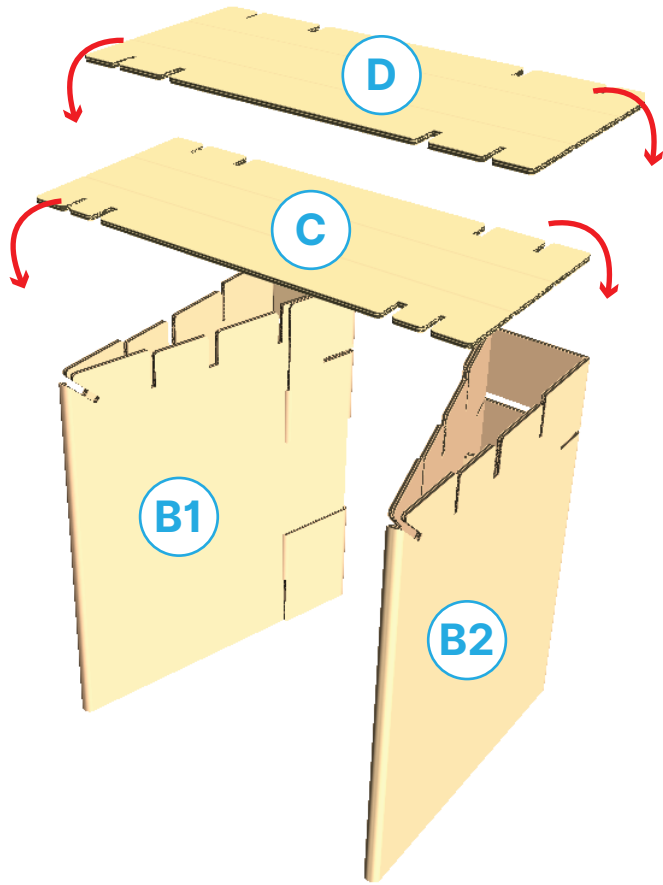
3



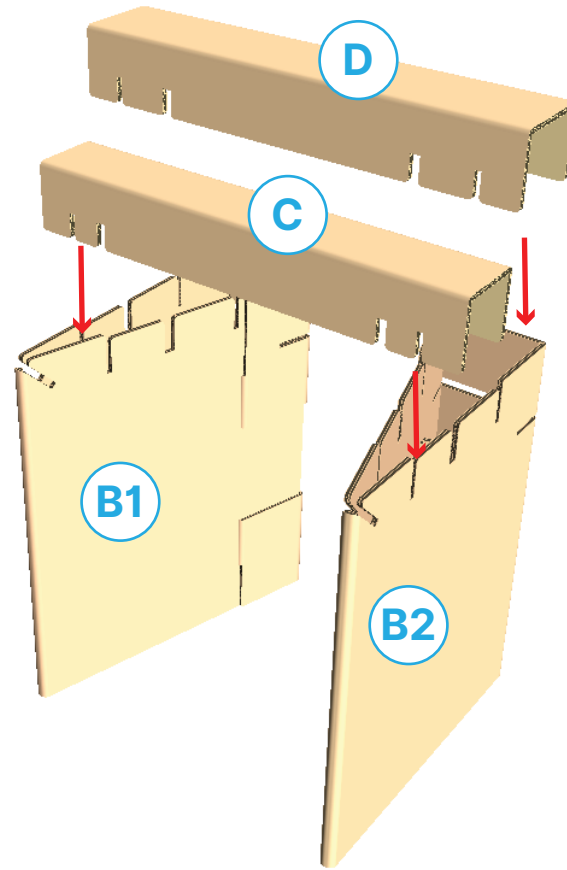
4



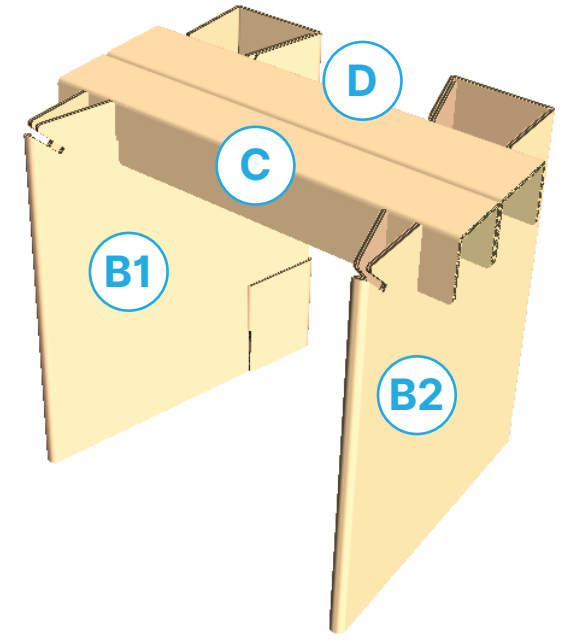
5



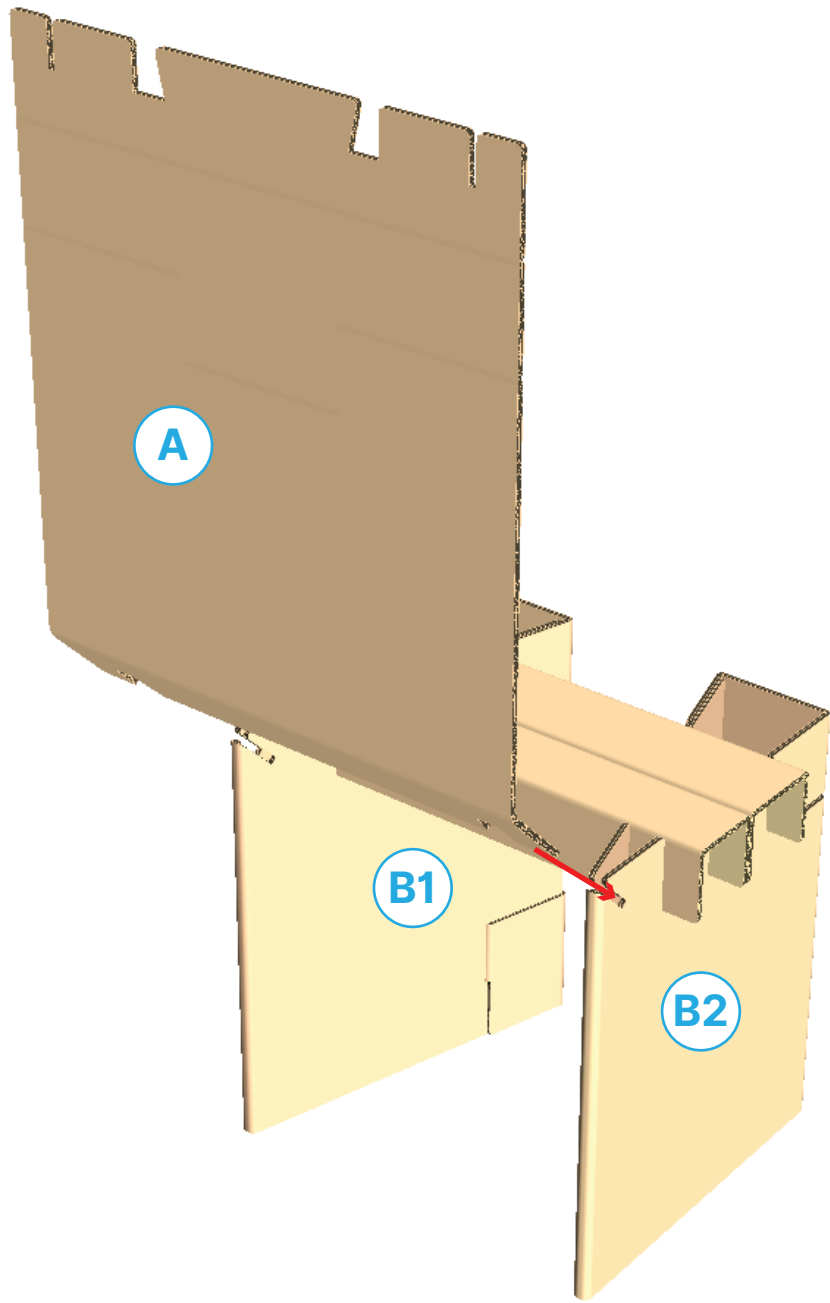
6



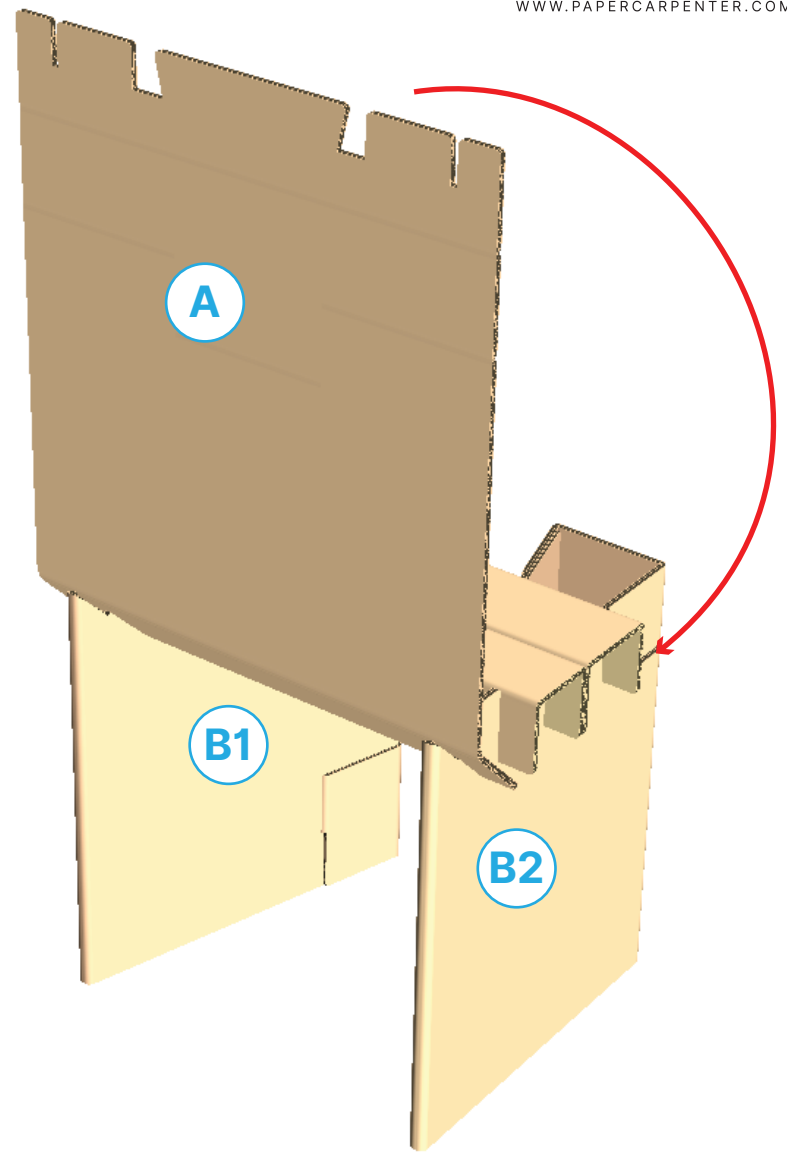
7



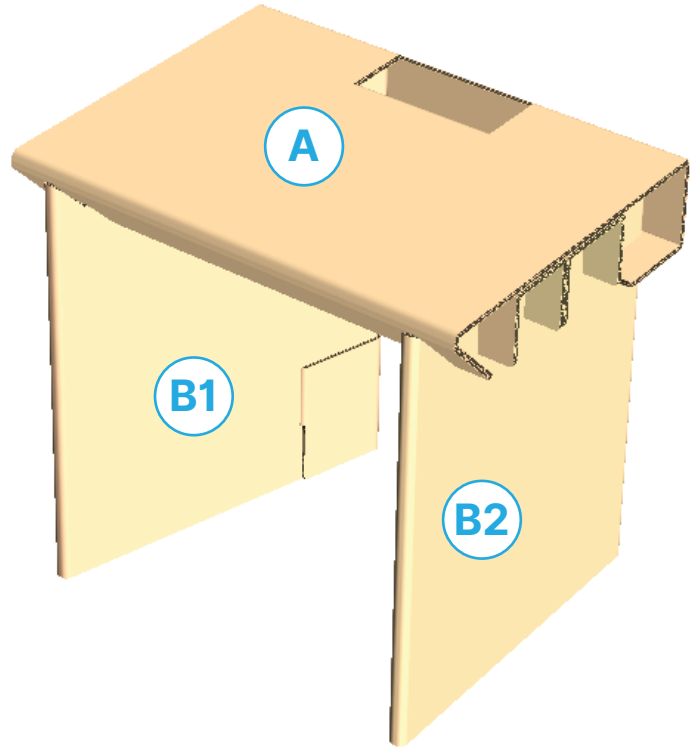
8



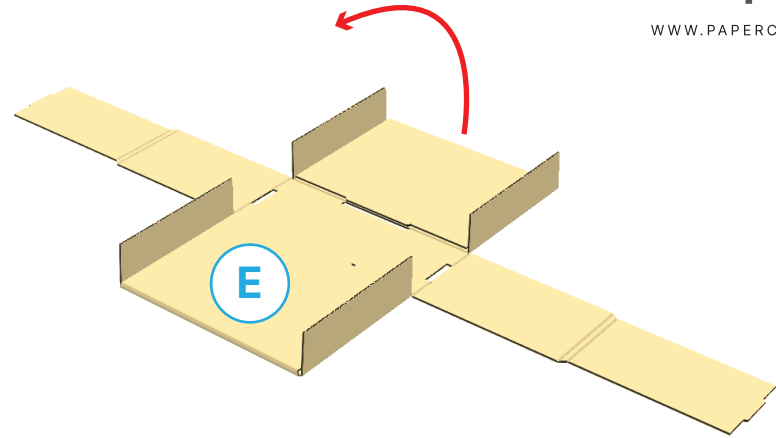
9



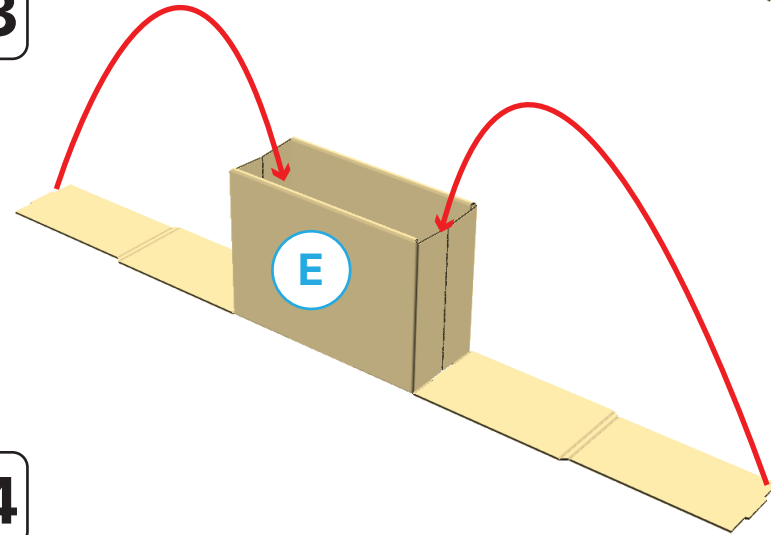
10



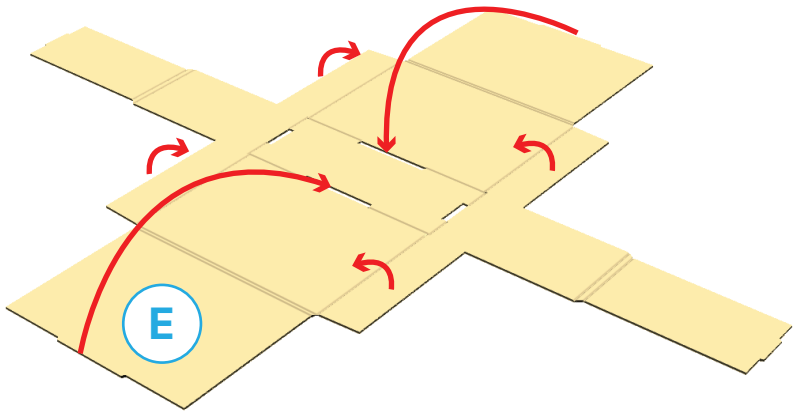
12



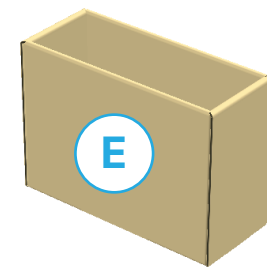
13



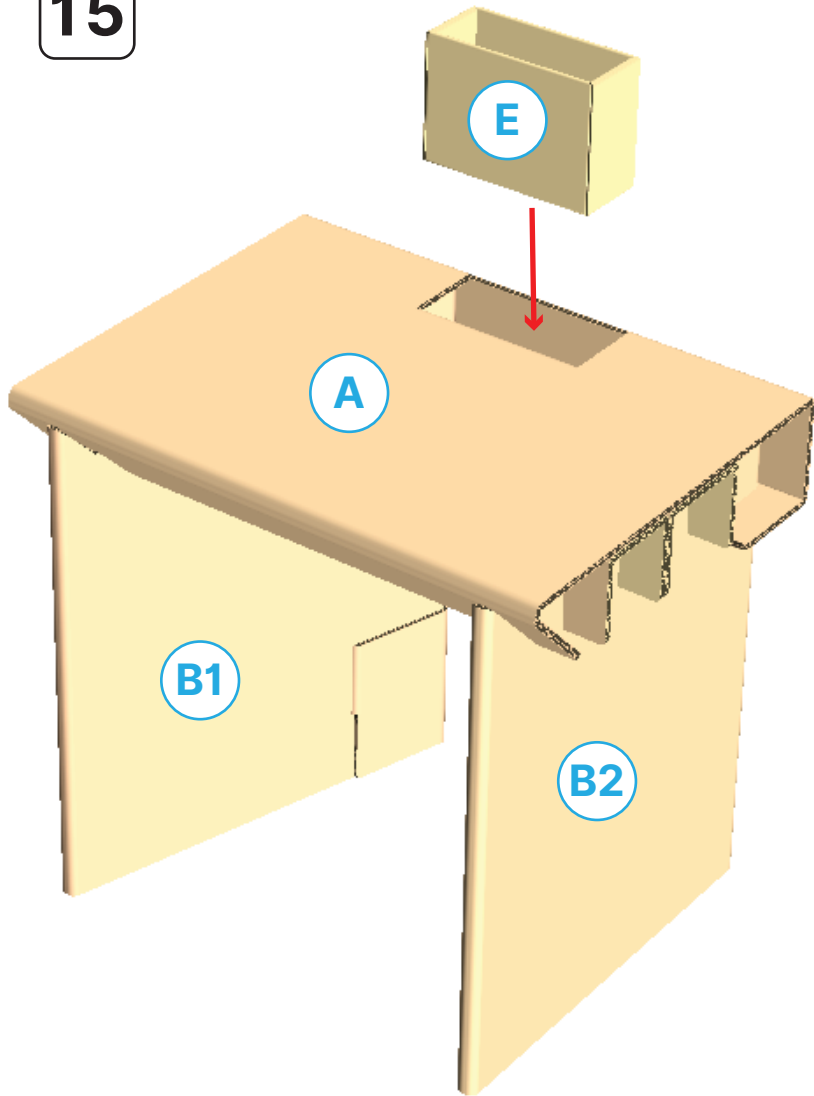
11



14



15



16

