

SARAH ELLISON.



YOKO CAPSULE COFFEE TABLE

Assembly

Some assembly required.

Warranty

We offer a 5 year upholstered product warranty against defects. This does not cover general wear and tear, or accidental breakage post-delivery.

Construction

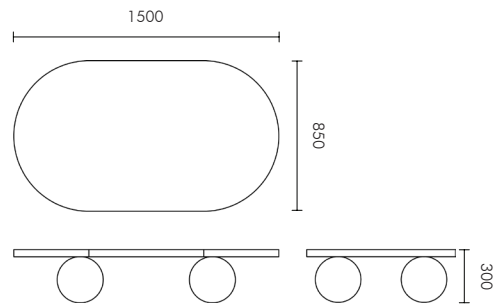
Solid and Veneer Walnut or Oak on Engineered wood substrate.

Dimensions (mm)

Overall: 1500 W x 850 D x 300 H
Weight: 69.5 kg

Boxed Dimensions:

Carton 1: 1575 W x 925 D x 95 H
Carton 2: 885 W x 610 D x 350 H



Please note all dimensions are approximate.