

SARAH ELLISON.



KHOUIE PLANTERS

Assembly

No assembly required.

Warranty

We offer a 1 year homewares product warranty against defects. This does not cover general wear and tear, or accidental breakage post-delivery.

Construction

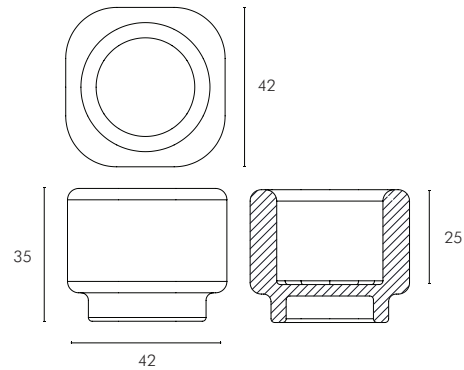
Polyresin, Stone & Powder, Colour Pigment & Fiberglass

Small Planter Dimensions W x D x H (cm)

Overall: 42 x 42 x 35 cm
Weight: 7.5 kg

Number of Cartons : 1
Carton Content: Planter

Carton 1: 53 x 53 x 53cm | 10kg

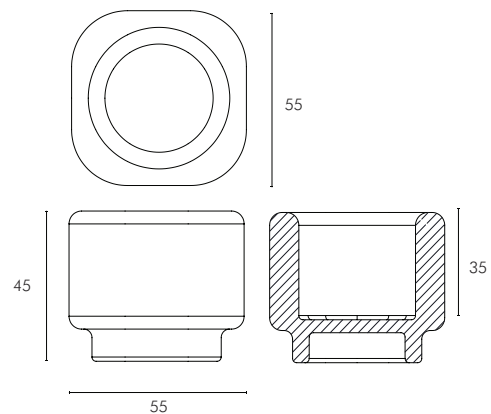


Medium Planter Dimensions W x D x H (cm)

Overall: 55 x 55 x 45cm
Weight: 11 kg

Number of Cartons : 1
Carton Content: Planter

Carton 1: 66 x 66 x 68cm | 14kg



Please note all dimensions are approximate.

SARAH ELLISON.

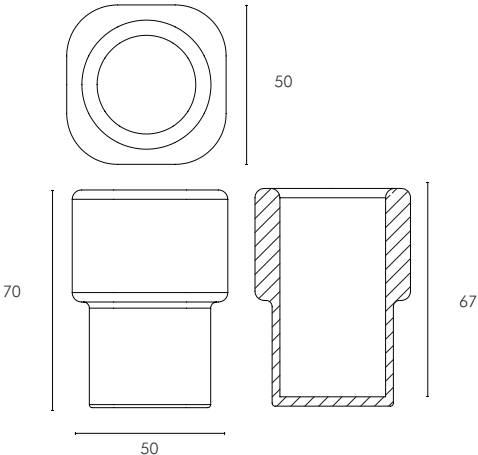
KHOUIE PLANTERS

Large Planter Dimensions W x D x H (cm)

Overall: 50 x 50 x 70 cm
Weight: 15.5 kg

Number of Cartons : 1
Carton Content: Planter

Carton 1: 66 x 66 x 68cm | 18kg



Please note all dimensions are approximate.