

SARAH ELLISON.



FLOAT MODULAR SOFA

Assembly

No assembly required.

Warranty

We offer a 2 year upholstered product warranty against defects. This does not cover general wear and tear, or accidental breakage post-delivery.

Construction

Expertly crafted engineered wood frame with mortise-and-tenon joinery. Semi-detached channel-tufted cushion filled with sink in fibre layer.

Seat Softness

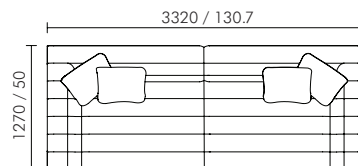


4 Seater Dimensions (mm/in)

Overall: 3320 W x 1270 D x 700 H mm
130.7 W x 50 D x 27.5 H in

LAF + RAF

Four scatter cushions included

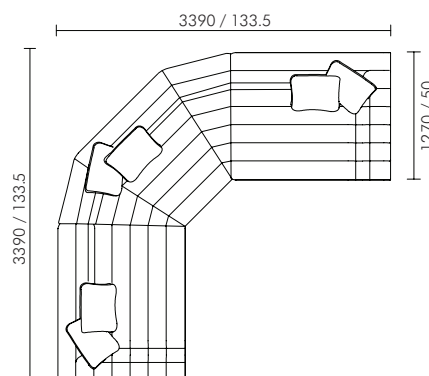


3 Piece Modular Dimensions (mm/in)

Overall: 3390 W x 3390 D x 700 H mm
133.5 W x 133.5 W x 27.5 H in

LAF + CNR + RAF

Six scatter cushions included



Please note all dimensions are approximate.

SARAH ELLISON.

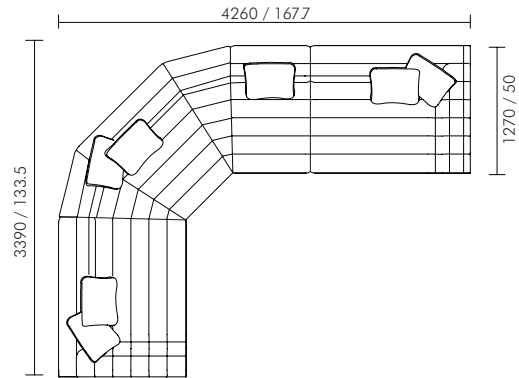
FLOAT MODULAR SOFA

4 Piece Modular Dimensions (mm/in)

Overall: 4260 W x 3390 D x 700 H mm
167.7 W x 133.5 D x 27.5 H in

LAF + CNR + A/L 1.5S + RAF

Seven scatter cushions included

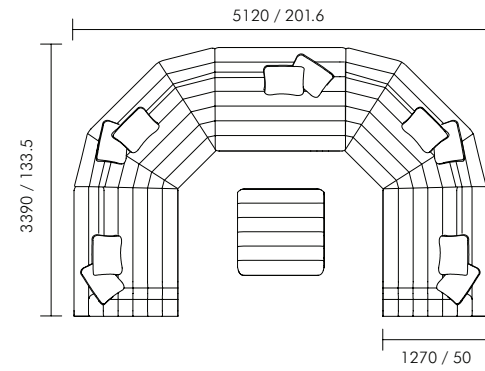


5 Piece Modular Dimensions (mm/in)

Overall: 5120 W x 3390 D x 700 H mm
201.6 W x 133.5 D x 27.5 H in

LAF + CNR + A/L 3S + CNR + RAF

Ten scatter cushions included



Left Arm Facing Module (LAF) Dimensions (mm/in)

Overall: 1660 W x 1270 D x 700 H mm
65.4 W x 50 D x 27.5 H in

Arm Height: 700 mm / 27.5 in

Seat Height: 420 mm / 16.5 in

Seat Depth: 820 mm / 32.3 in

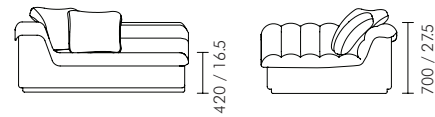
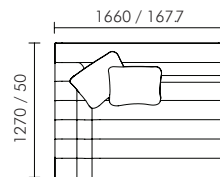
Weight: 50 kg / 110 lbs

Boxed Dimensions:

Carton 1: 1680 W x 1300 D x 740 H mm
66 W x 51 D x 29 H in

Weight: 76 kg / 167 lbs

Two scatter cushions included



Right Arm Facing Module (RAF) Dimensions (mm/in)

Overall: 1660 W x 1270 D x 700 H mm
65.4 W x 50 D x 27.5 H in

Arm Height: 700 mm / 27.5 in

Seat Height: 420 mm / 16.5 in

Seat Depth: 820 mm / 32.3 in

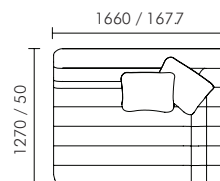
Weight: 50 kg / 110 lbs

Boxed Dimensions:

Carton 1: 1680 W x 1300 D x 740 H mm
66 W x 51 D x 29 H in

Weight: 76 kg / 167 lbs

Two scatter cushions included



Please note all dimensions are approximate.

SARAH ELLISON.

FLOAT MODULAR SOFA

Armless Module 3s (A/L) Dimensions (mm/in)

Overall: 1660 W x 1270 D x 700 H mm
65 W x 50 D x 27.5 H in

Arm Height: N/A

Seat Height: 420 mm / 16.5 in

Seat Depth: 820 mm / 32.3 in

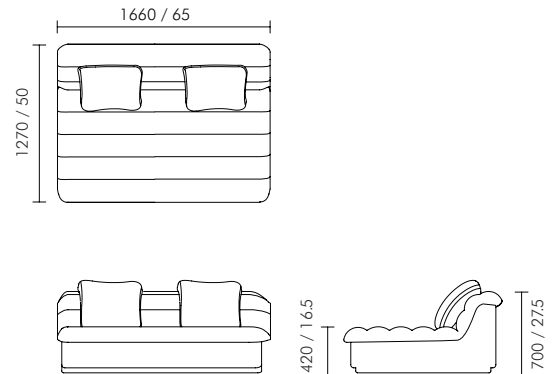
Weight: 50 kg / 110 lbs

Boxed Dimensions:

Carton 1: 1760 W x 1250 D x 740 H mm
69.3 W x 49 D x 29 H in

Weight: 76 kg / 168 lbs

Two scatter cushions included



Armless Module 1.5s (A/L) Dimensions (mm/in)

Overall: 870 W x 1270 D x 700 H mm
34 W x 50 D x 27.5 H in

Arm Height: N/A

Seat Height: 420 mm / 16.5 in

Seat Depth: 820 mm / 32.3 in

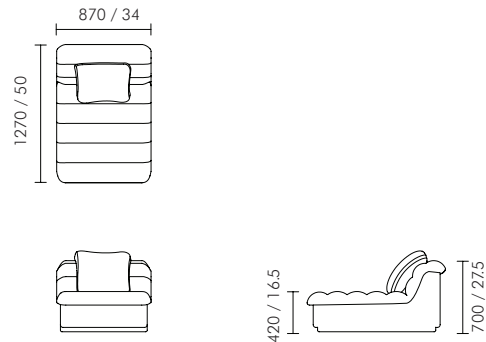
Weight: 27 kg / 59.5 lbs

Boxed Dimensions:

Carton 1: 890 W x 1300 D x 740 H mm
35 W x 51 D x 29 H in

Weight: 41 kg / 90 lbs

One scatter cushion included



Corner Module (CNR) Dimensions (mm/in)

Overall: 2410 W x 1330 D x 700 H mm
95 W x 52.3 D x 27.5 H in

Arm Height: N/A

Seat Height: 420 mm / 16.5 in

Seat Depth: 820 mm / 32.3 in

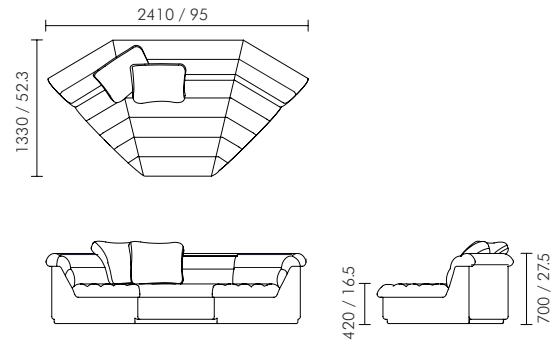
Weight: 52 kg / 115 lbs

Boxed Dimensions:

Carton 1: 2430 W x 1350 D x 740 H mm
95.6 W x 53 D x 29 H in

Weight: 78 kg / 172 lbs

Two scatter cushions included



Ottoman (OTM) Dimensions (mm/in)

Overall: 1090 W x 1090 D x 410 H mm
43 W x 43 D x 16.2 H in

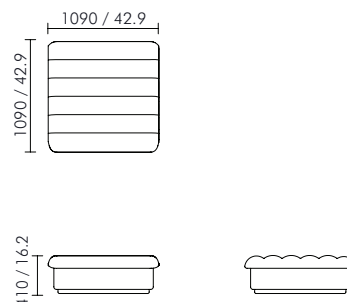
Seat Height: 410 mm / 16.2 H in

Weight: 28 kg / 62 lbs

Boxed Dimensions:

Carton 1: 1110 W x 1110 D x 440 H mm
44 W x 44 D x 17 H in

Weight: 42 kg / 92.5 lbs



Please note all dimensions are approximate.