

SARAH ELLISON.



EARTH OUTDOOR

Assembly

3-4 Person Assembly Required.

Warranty

We offer a 2 year Outdoor product warranty against defects. This does not cover general wear and tear, or accidental breakage post-delivery.

Construction

Ground Stone & Sand Composite, Cement and Natural Fibers

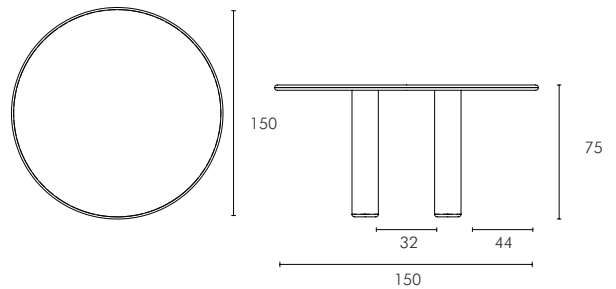
Dining Table Dimensions W x D x H (cm)

Overall: 150 x 150 x 75 cm
Weight: 138 kg

Number of Cartons : 2
Carton Content: Top , Legs

Carton 1: 162 x 162 x 13cm | 115kg
Carton 2: 51 x 26 x 88cm | 12kg

Due to weight of this dining table the table must be assembled in its final location as moving fully the assembled table may cause damage to the table.

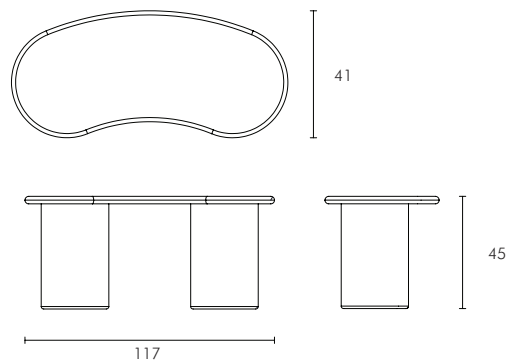


Bench Dimensions W x D x H (cm)

Overall: 117 x 41 x 45cm
Weight: 65.2 kg

Number of Cartons : 2
Carton Content: Top , Legs

Carton 1: 125 x 58 x 14cm | 40kg
Carton 2: 38 x 38 x 53cm | 18kg



Please note all dimensions are approximate.

SARAH ELLISON.

EARTH OUTDOOR

Coffee Table Dimensions W x D x H (cm)

Overall: 100 x 100 x 37cm

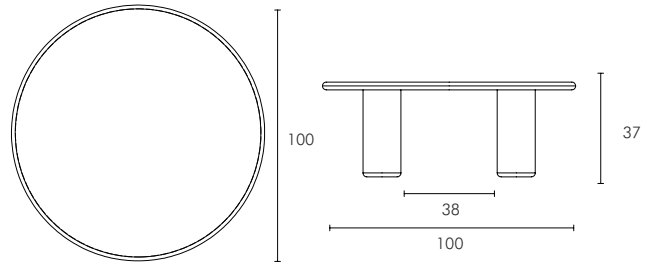
Weight: 57.8 kg

Number of Cartons : 2

Carton Content: Top , Legs

Carton 1: 108 x 108 x 13cm | 45kg

Carton 2: 51 x 26 x 51cm | 8kg



Side Table Dimensions W x D x H (cm)

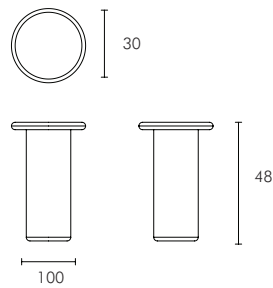
Overall: 30 x 30 x 48cm

Weight: 16 kg

Number of Cartons : 1

Carton Content: Side Table

Carton 1: 41 x 41 x 61cm | 18kg



Please note all dimensions are approximate.