

CARE INSTRUCTIONS

With a little care you can prolong the life of your furniture. The following information is only intended as a general guideline. Please follow the instructions to ensure maximum longevity of your Sarah Ellison furniture. Timber is responsive to its environment, be mindful that heat and moisture can cause movement and cracks in joints and damage lacquer.

- Avoid exposing wood to direct heat and sunlight
- Maintain consistent humidity in the space to prevent excessive expansion and contraction of wooden pieces and joints.
- Wipe up spills immediately with a clean, dry cloth.
- Over time, air and sunlight will change the colour of natural wood.
- Occasionally rotate the items placed on your wood furniture to allow a more uniform colour to develop. Expose table leaves to the same amount of air and sunlight as your table
- Use coasters for drinks to prevent moisture from contacting surfaces.
- Use trivets for hot pans and dishes to prevent damage to finishes and underlying wood.
- Keep rough and sharp objects away from wood surfaces.
- Apply protective pads to the undersides of items being displayed

SARAH ELLISON.

BLOCK CONSOLE TABLE ASSEMBLY INSTRUCTIONS

Thank you for purchasing the SARAH ELLISON Console Table. This document lists the contents included in your delivery. Please take the time to identify the hardware, as well as the individual components of this product. As you unpack and prepare for assembly, place the contents on a carpeted or padded area to protect them from damage.

HARDWARE

None

TOOLS REQUIRED

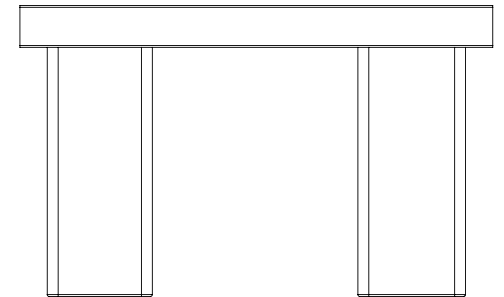
None

PEOPLE REQUIRED FOR ASSEMBLY

1 Person

ESTIMATED TIME OF ASSEMBLY

15 Minutes



CUSTOMER SERVICE

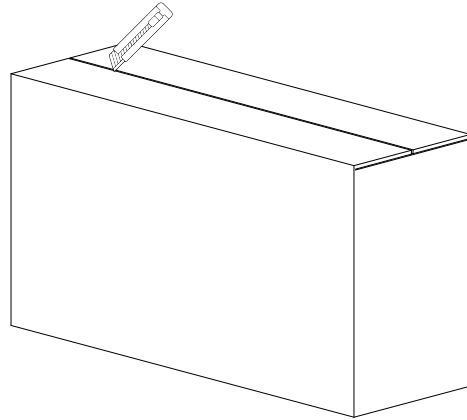
For Australian customer service contact : customerservice@sarahellison.com.au
For any international customer service inquires please contact the retailer of purchase

S E.

SARAH ELLISON.

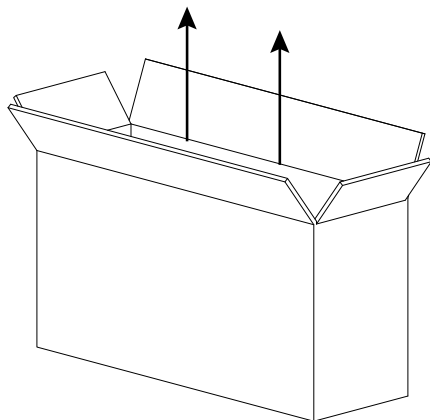
STEP 1

Open box carefully, ensuring the blade of the knife does not come into contact with the product.



STEP 2

Remove packaging and lift the product up out of box and gently place on ground.



SARAH ELLISON.

STEP 3

Position in your room, and don't forget to recycle the packaging where possible

