

SARAH ELLISON.

YOKO BED ASSEMBLY INSTRUCTIONS

Thank you for purchasing the Sarah Ellison Yoko Bed. This document lists the contents included in your delivery. Please take the time to identify the hardware, as well as the individual components of this product. As you unpack and prepare for assembly, place the contents on a carpeted or padded area to protect them from damage.

HARDWARE

- 2 x 20x100x50mm wooden dowel
- 2 x Ø10x30mm dowel
- 4 x 5/16x65mm bolt screws
- 4 x 8xØ19mm washer
- 4 x Ø8mm spring washer
- 16 x 5/16x25mm bolt screws
- 2 x Ø20x80mm dowel
- 8 x M10x100mm bolt screws
- 8 x 10xØ23mm washer
- 8 x 10 spring washer

TOOLS REQUIRED

- Allen Key
- Hex head key

PEOPLE REQUIRED FOR ASSEMBLY

Four people

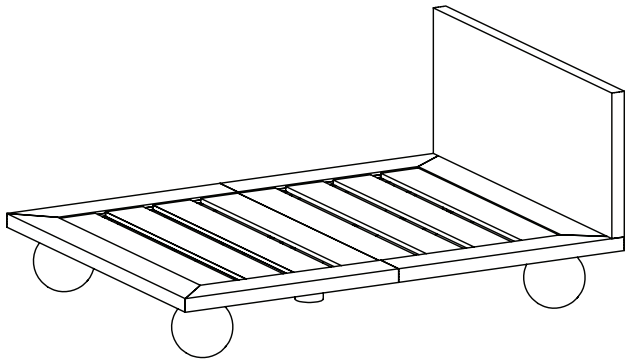
ESTIMATED TIME OF ASSEMBLY

1 hour

CUSTOMER SERVICE

For Australian customer service contact : info@sarahellison.com.au

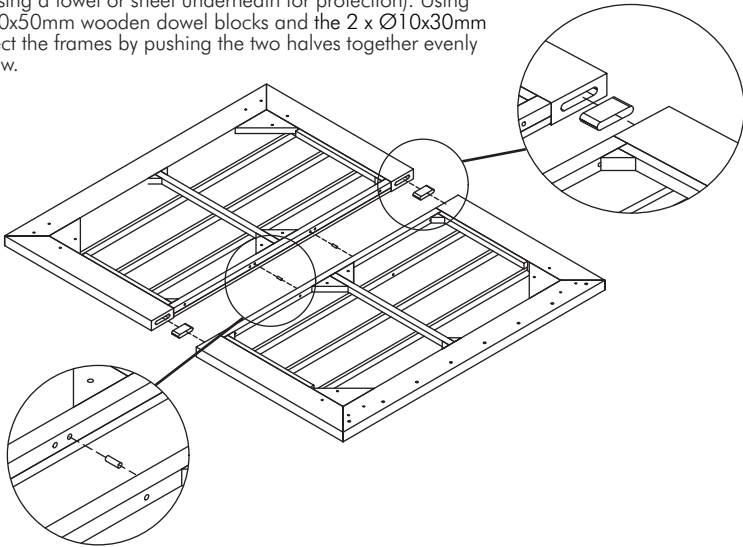
For any international customer service inquires please contact the retailer of purchase.



SARAH ELLISON.

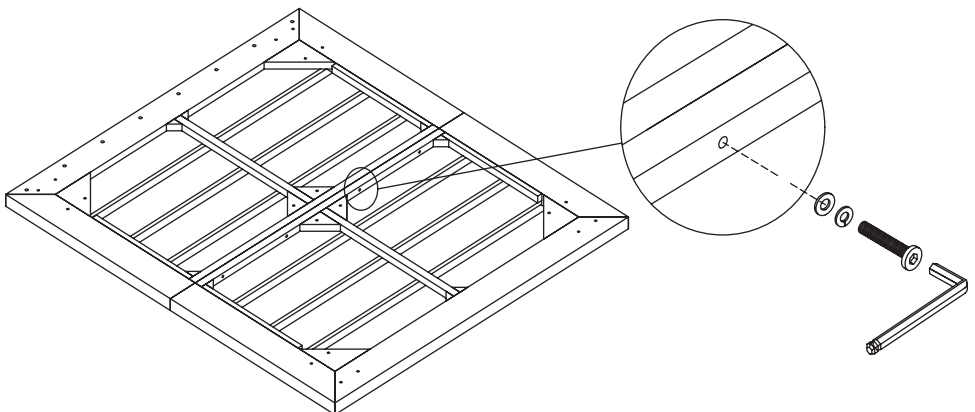
STEP 1

Lay both bed frame pieces face down onto a clean, flat surface (we recommend using a towel or sheet underneath for protection). Using the 2 x 20x100x50mm wooden dowel blocks and the 2 x Ø10x30mm dowels, connect the frames by pushing the two halves together evenly as shown below.



STEP 2

Use each of the 4 x 5/16x65mm bolts to fasten the two frame halves together along the centre join, placing washers and spring washers between the bolt head and the frame as shown below.

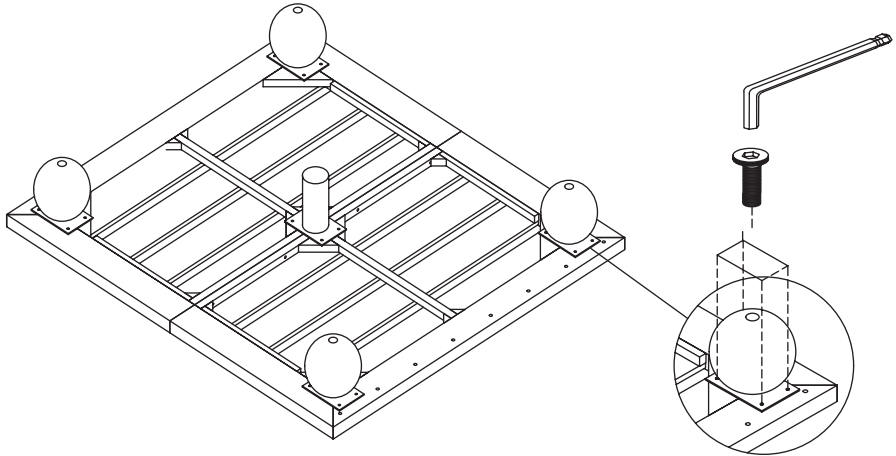


SARAH ELLISON.

STEP 3

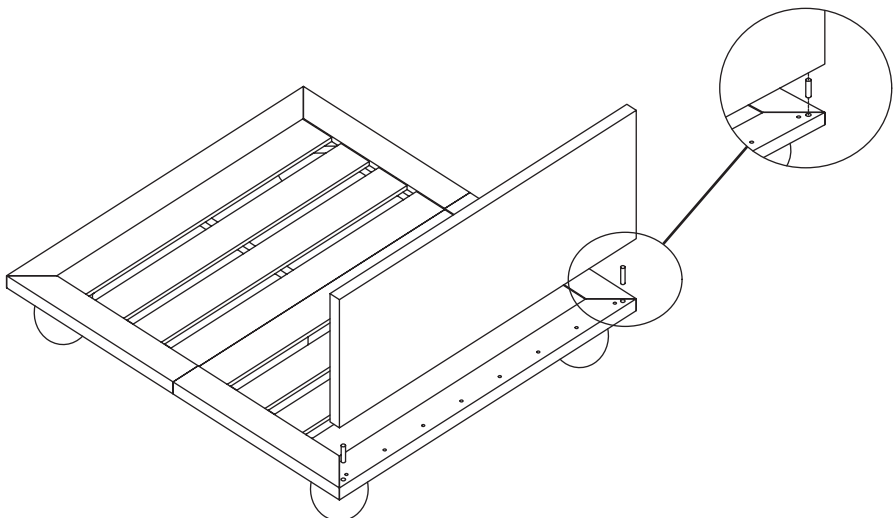
Align the Ball Feet and centre support leg with the corresponding holes on the Bed Frames as shown. Fasten the Ball Feet and the centre support leg to the bed frame using the 16 x 5/16x25mm bolt screws and allen key.

With a second person to assist you, carefully turn the assembly over so that it is now standing on the ball feet. Make sure to lift the assembled frame rather than use the legs as a tipping point.



STEP 4

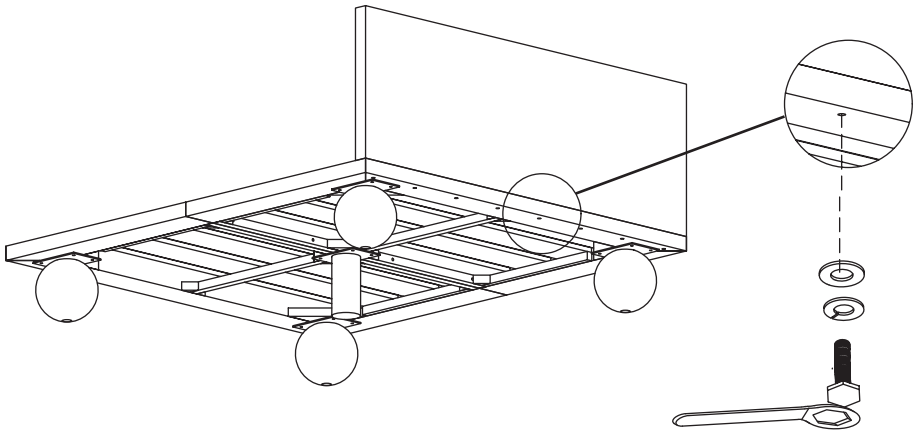
Using the 2 x Ø20x80mm wooden dowels, slot the headboard in place on top of the base frame. Do not leave the headboard freestanding, hold in place while completing step 5.



SARAH ELLISON.

STEP 5

Use each of the 8 x M10x100mm bolt screws and hex head key to fasten the headboard to the base frame, placing washers and spring washers between the bolt head and the frame as shown below. The assembly is now complete and product is ready for use.



CARE INSTRUCTIONS

With a little care you can prolong the life of your furniture. The following information is only intended as a general guideline. Please follow the instructions to ensure maximum longevity of your Sarah Ellison furniture.

Timber is responsive to its environment, be mindful that heat and moisture can cause movement and cracks in joints and damage lacquer.

- Avoid exposing timber to direct heat and sunlight
- Wipe up spills immediately with a clean, dry cloth.
- Keep rough and sharp objects away from timber surfaces. Where possible apply protective pads to the undersides of items being displayed on rattan surfaces, including those with rubber feet or bumpers.
- Dust timber surfaces frequently with a soft, slightly damp lint-free cloth, and then wipe dry.
- Avoid using abrasives, harsh chemicals and aerosol-powered cleaners
- For persistent spots, gently clean with a soft cloth and a solution of water and mild detergent. Wipe dry.
- Avoid furniture polish as it can accumulate over time and leave a residue
- Periodically also check and re-tighten any fasteners, we recommend every six months.