

# SARAH ELLISON.

---

## YOKO SQUARE COFFEE TABLE ASSEMBLY INSTRUCTIONS

Thank you for purchasing the Sarah Ellison Yoko Square Coffee Table. This document lists the contents included in your delivery. Please take the time to identify the hardware, as well as the individual components of this product. As you unpack and prepare for assembly, place the contents on a carpeted or padded area to protect them from damage.

---

### HARDWARE

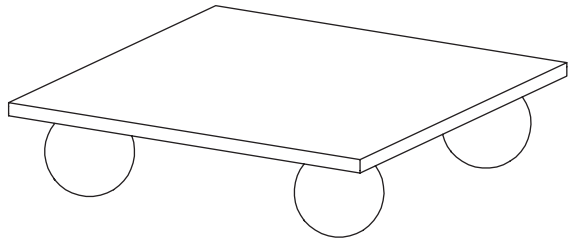
16 x 1/4x20 Bolt screws

### TOOLS REQUIRED

1 x Allen key

### PEOPLE REQUIRED FOR ASSEMBLY

A minimum of two people are required to assemble this product



### ESTIMATED TIME OF ASSEMBLY

30 minutes

---

### CUSTOMER SERVICE

For Australian customer service contact : [info@sarahellison.com.au](mailto:info@sarahellison.com.au)

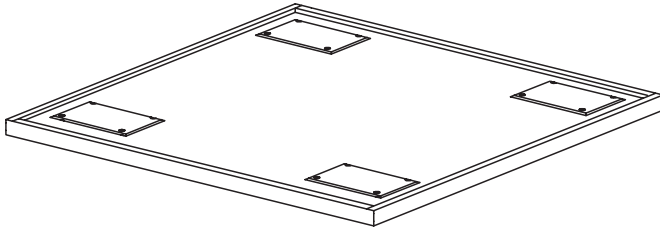
For any international customer service inquires please contact the retailer of purchase.

# SARAH ELLISON.

---

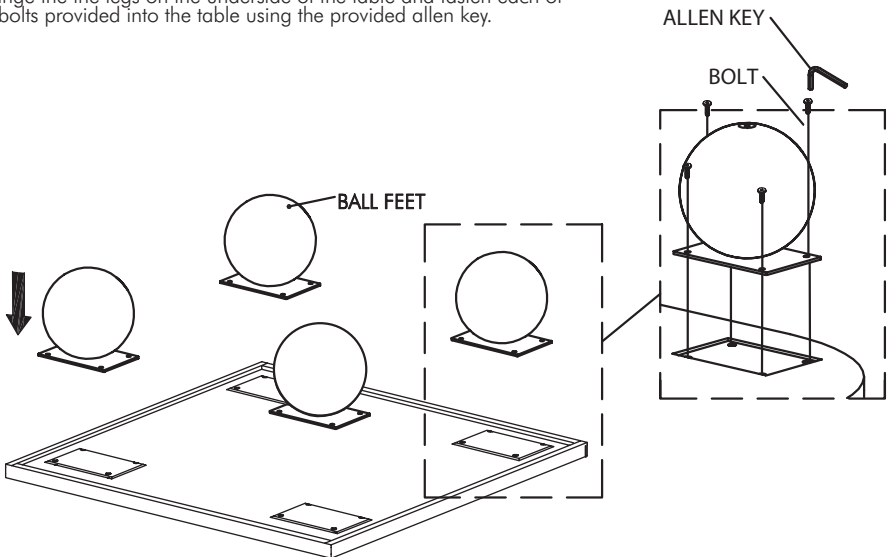
## STEP 1

Open box carefully, ensuring the blade of the knife does not come into contact with the product. Lift all product parts out of the boxes and place the table top face down onto a clean, flat surface (we recommend using a towel or sheet underneath for protection).



## STEP 2

Arrange the the legs on the underside of the table and fasten each of the bolts provided into the table using the provided allen key.

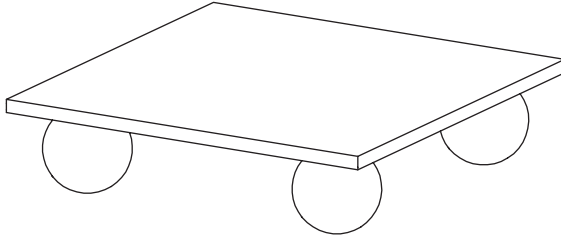


# SARAH ELLISON.

---

## STEP 3

With someone to assist you, carefully turn the table over. Position in your room, and don't forget to recycle the packaging where possible.



## CARE INSTRUCTIONS

With a little care you can prolong the life of your furniture. The following information is only intended as a general guideline. Please follow the instructions to ensure maximum longevity of your Sarah Ellison furniture. Our timber pieces are all treated and sealed for everyday living, but it is important to be mindful in their placement, as extreme conditions (such as harsh sunlight) can change the colour of the timber. Timber is responsive to its environment, be mindful that heat and moisture can cause movement and cracks in joints and damage lacquer. We recommend using placemats and trivets to avoid spills soaking into the timber, and to also protect against heat transfer. The general rule is if something is too hot to hold, it is too hot to place on timber. Should spills occur, wipe immediately with a damp cloth. Periodically also check and re-tighten any fasteners, we recommend every six months.

**S E.**