

SARAH ELLISON.

TIDE II COFFEE TABLE ASSEMBLY INSTRUCTIONS

Thank you for purchasing the Sarah Ellison Tide II Coffee Table. This document lists the contents included in your delivery. Please take the time to identify the hardware, as well as the individual components of this product. As you unpack and prepare for assembly, place the contents on a carpeted or padded area to protect them from damage.

HARDWARE

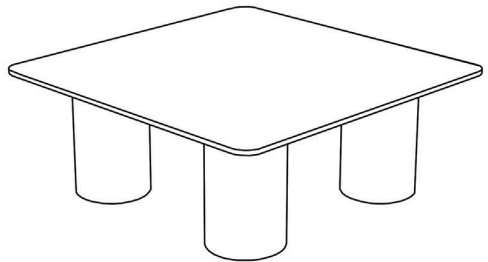
x4 Rubber Stoppers

TOOLS REQUIRED

Measuring Tape (not supplied)

PEOPLE REQUIRED FOR ASSEMBLY

A minimum of two people are required to assemble this product



ESTIMATED TIME OF ASSEMBLY

15 minutes

CUSTOMER SERVICE

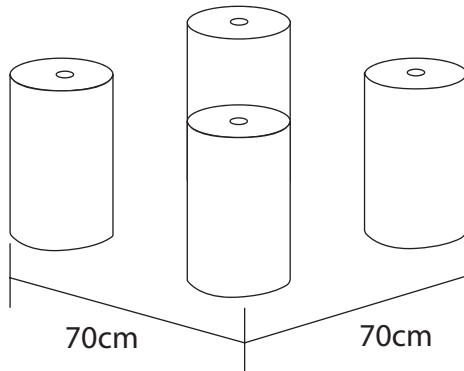
For Australian customer service contact : info@sarahellison.com.au

For any international customer service inquires please contact the retailer of purchase.

SARAH ELLISON.

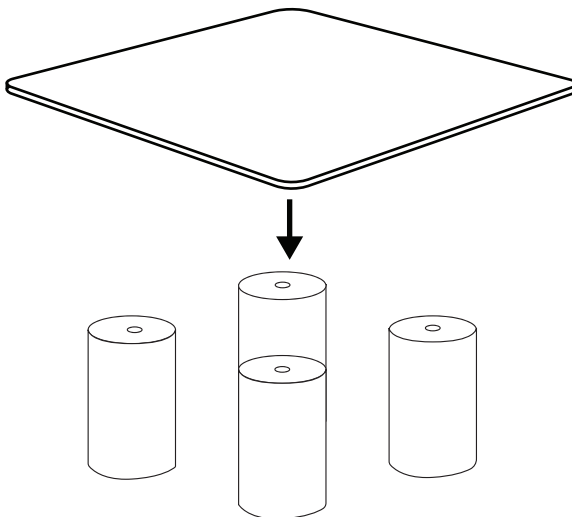
STEP 1

Unpack the table legs and position them in a square formation, measuring 70cm to the outside of each leg. Place the adhesive stoppers centred on the top face of each leg.



STEP 2

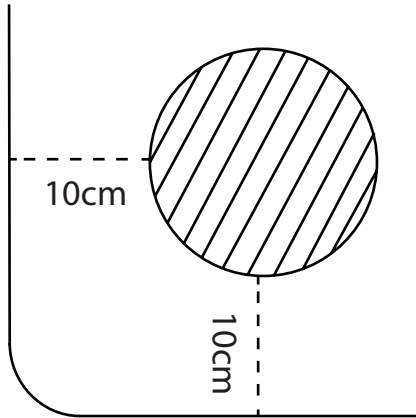
Place the glass on top of the four legs.



SARAH ELLISON.

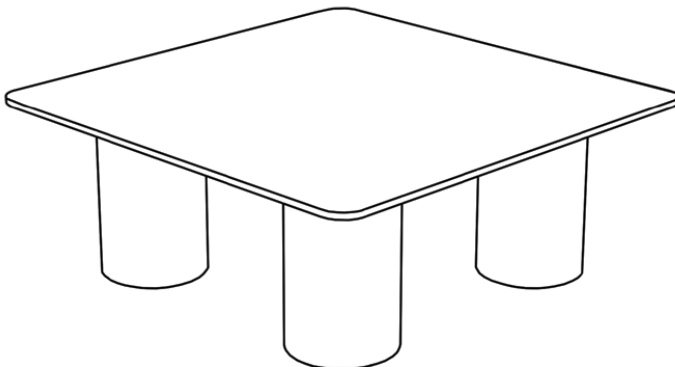
STEP 3

Each leg should measure 10cm from the table edges.



STEP 4

Style your coffee table and don't forget to recycle the packaging where possible.



CARE INSTRUCTIONS

With a little care you can prolong the life of your furniture. The following information is only intended as a general guideline. Please follow the instructions to ensure maximum longevity of your Sarah Ellison furniture. More information is available in the care section of our website.

- Avoid dragging sharp or rough objects across glass. Use adhesive felt pads, trivets, coasters and placemats to help prevent scratches.
- Avoid harsh, abrasive cleaners and do not use scrapers or razor blades to clean the product.
- Avoid exposing the piece to direct heat and sunlight and extreme changes in environmental temperatures.
- Saucepans and dishes straight from the stovetop or oven may exceed recommended exposure temperatures and so should not be placed directly onto the table surface.
- Care should be taken if the table top is removed from it's base. A glass table top is usually extremely heavy and its own weight could cause a fracture or a break if dropped onto a hard surface.
- Wipe up spills immediately with a clean, dry cloth.
- Keep rough and sharp objects away from surfaces.

S E.