

SARAH ELLISON.

PIERRE SIDE TABLE ASSEMBLY INSTRUCTIONS

Thank you for purchasing the Sarah Ellison Pierre Side Table. This document lists the contents included in your delivery. Please take the time to identify the hardware, as well as the individual components of this product. As you unpack and prepare for assembly, place the contents on a carpeted or padded area to protect them from damage.

HARDWARE

None

TOOLS REQUIRED

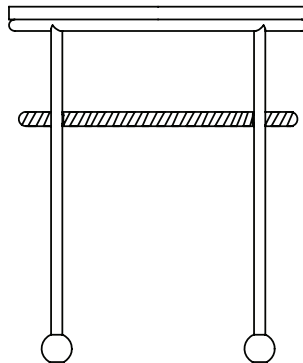
None

PEOPLE REQUIRED FOR ASSEMBLY

One person

ESTIMATED TIME OF ASSEMBLY

15 Minutes



CUSTOMER SERVICE

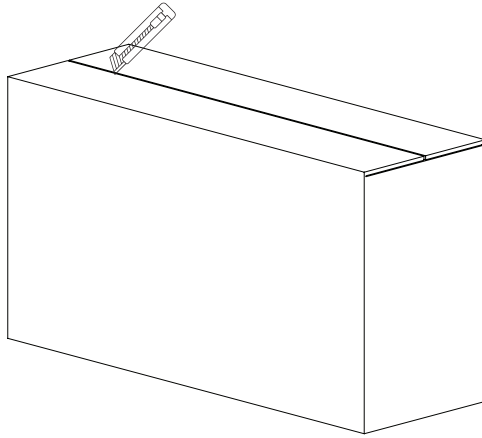
For Australian customer service contact : info@sarahellison.com.au

For any international customer service inquires please contact the retailer of purchase.

SARAH ELLISON.

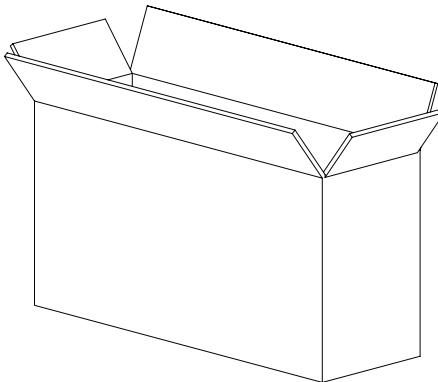
STEP 1

Open box carefully, ensuring the blade of the knife does not come into contact with the product.



STEP 2

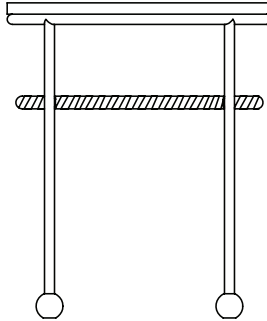
Remove packaging and lift the product up out of box and gently place on ground.



SARAH ELLISON.

STEP 3

Position in your room, and don't forget to recycle the packaging where possible



CARE INSTRUCTIONS

With a little care you can prolong the life of your furniture. The following information is only intended as a general guideline. Please follow the instructions to ensure maximum longevity of your Sarah Ellison furniture.

- Avoid exposing rattan to direct heat and sunlight
- Marble is a porous material and will quickly absorb spills on the surface. Blot spills immediately to minimize staining.
- Avoid alkaline or acidic liquids, as they can break down the protective sealant on marble surfaces.
- Apply protective pads to the undersides of items being displayed on the stone surfaces.
- Use coasters for drinks to prevent moisture from contacting surfaces.
- Keep rough and sharp objects away from rattan surfaces. Where possible apply protective pads to the undersides of items being displayed on rattan surfaces, including those with rubber feet or bumpers.
- Dust rattan frequently with a soft, slightly damp lint-free cloth, and then wipe dry.
- Avoid using abrasives, harsh chemicals and aerosol-powered cleaners
- Avoid furniture polish as it can accumulate over time and leave a residue

S E.