

# SARAH ELLISON.

---

## PIERRE MIRROR ASSEMBLY INSTRUCTIONS

Thank you for purchasing the Sarah Ellison Pierre Mirror. This document lists the contents included in your delivery. Please take the time to identify the hardware, as well as the individual components of this product. As you unpack and prepare for assembly, place the contents on a carpeted or padded area to protect them from damage.

**NOTE:** Be sure to use hardware appropriate for your wall type. Whenever possible, attach mounting hardware into a wall stud. If you are unsure about what hardware method you should use, consult a qualified professional or your local hardware store.

---

### HARDWARE

- 1 x Wall hook screw anchor
- 1 x Plastic screw anchor
- 2 x Safety wall straps
- 2 x Washers
- 2 x M4x12mm screws

### TOOLS REQUIRED

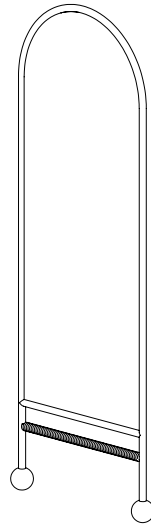
- Power drill (not supplied if required)
- Screwdriver (not supplied)
- Measuring Tape (not supplied)

### PEOPLE REQUIRED FOR ASSEMBLY

A minimum of two people are required to assemble this product

### ESTIMATED TIME OF ASSEMBLY

30 minutes



---

### CUSTOMER SERVICE

For Australian customer service contact : [info@sarahellison.com.au](mailto:info@sarahellison.com.au)

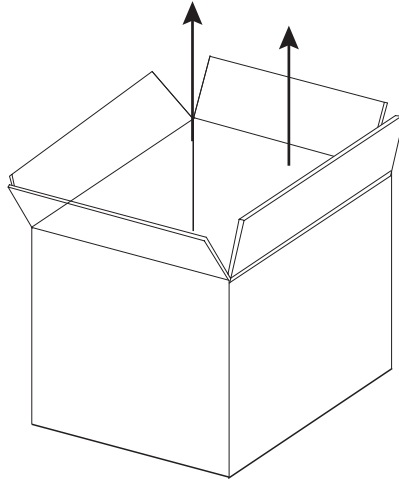
For any international customer service inquires please contact the retailer of purchase

# SARAH ELLISON.

---

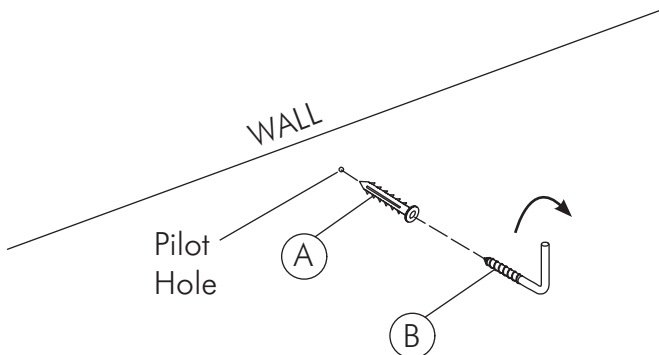
## STEP 1

Open the box carefully, ensuring the blade of the knife does not come into contact with the product. Remove packaging and lift the product out of the box and gently place face down onto a clean, flat, surface on the ground. We recommend using a towel or sheet underneath for protection.



## STEP 2

Holding the mirror in place, determine where you wish to hang/lean your mirror and mark on the wall where the wall screw anchor should be inserted. Drill a hole into the wall to house the plastic screw anchor. A pilot hole is recommended to be drilled for installation. Insert the plastic screw anchor (A) and tighten until flush with the wall surface. Screw the provided wall hook screw anchor (B) clockwise into the plastic screw anchor until tight and secure. The hook should be pointing towards the ceiling.

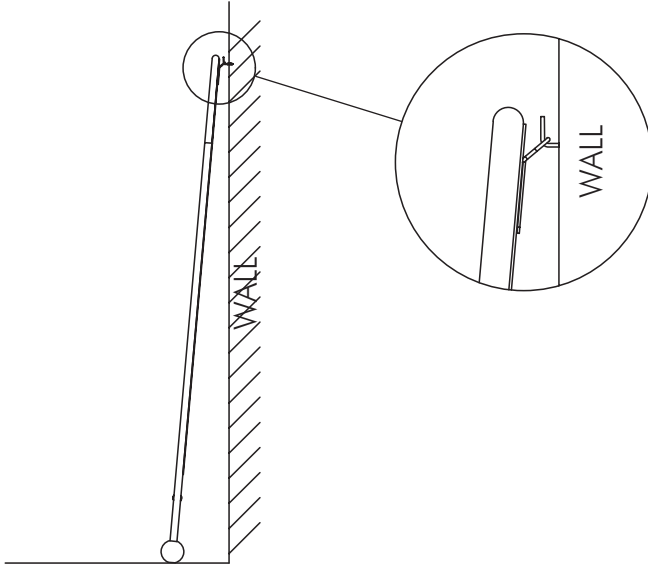


# SARAH ELLISON.

---

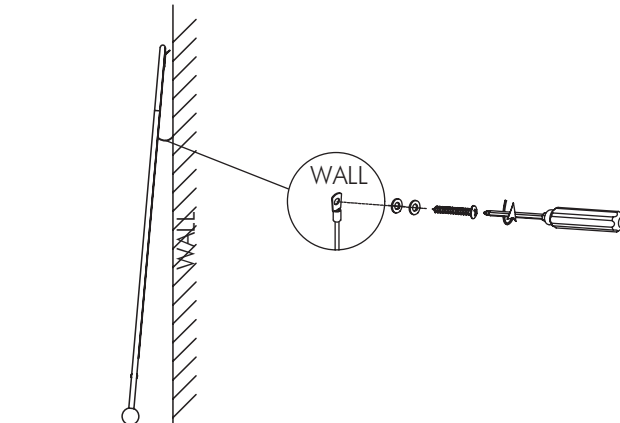
## STEP 3

Lift the mirror into place with the assistance of another person and check that the wall hook is in the correct location, with the D-ring secured over the wall hook.



## STEP 4

If you decide to use this mirror as a floor mirror, we strongly recommend that you install the provided anti-tip kit to prevent the mirror from accidentally falling and causing injury or damage. With the mirror in place (but unhooked), stand the mirror parallel to the wall 6-8 inches out and secure the anti-tip kit to the wall using two washers per fixing and the appropriate fixings for your wall type. Once secure, lean and hook the mirror in place using the attached D-rings.



## CARE INSTRUCTIONS

With a little care you can prolong the life of your furniture. The following information is only intended as a general guideline. Please follow the instructions to ensure maximum longevity of your Sarah Ellison furniture.

- Keep rough and sharp objects away from rattan surfaces.
- Dust frequently with a soft, slightly damp lint-free cloth, and then wipe dry.
- Avoid exposing rattan to direct heat and sunlight
- Avoid using abrasives, harsh chemicals and aerosol-powered cleaners
- Although resistant to rust, powdercoated metals will oxidize if the coating is chipped, scratched or exposed to harsh chemicals and UV rays over time.

**S E.**