

SARAH ELLISON.

PIERRE DINING CHAIR ASSEMBLY INSTRUCTIONS

Thank you for purchasing the Sarah Ellison Pierre Dining Chair. This document lists the contents included in your delivery. Please take the time to identify the hardware, as well as the individual components of this product. As you unpack and prepare for assembly, place the contents on a carpeted or padded area to protect them from damage.

HARDWARE

None

TOOLS REQUIRED

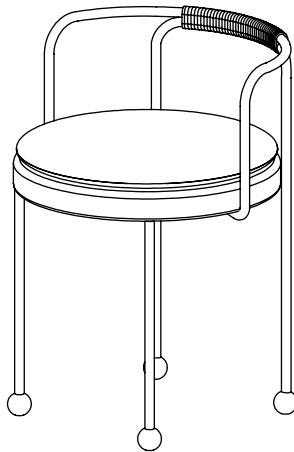
None

PEOPLE REQUIRED FOR ASSEMBLY

One person is required to assemble this product

ESTIMATED TIME OF ASSEMBLY

5 minutes



CUSTOMER SERVICE

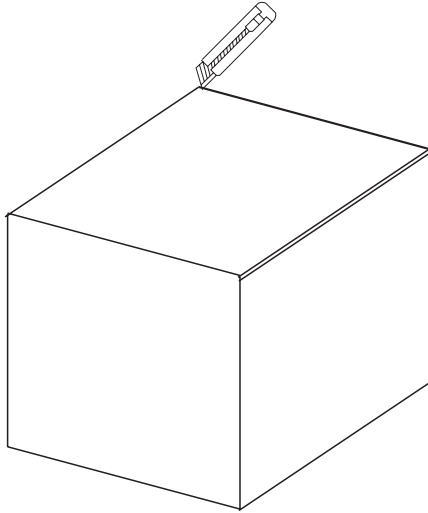
For Australian customer service contact : info@sarahellison.com.au

For any international customer service inquires please contact the retailer of purchase

SARAH ELLISON.

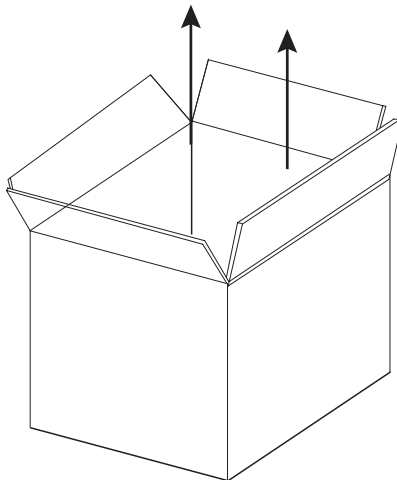
STEP 1

Open box carefully, ensuring the blade of the knife does not come into contact with the product.



STEP 2

Remove packaging and lift the product up out of box and gently place on ground.

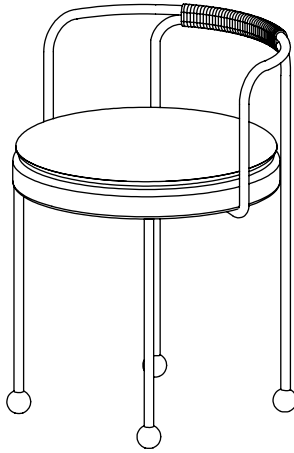


SARAH ELLISON.

STEP 3

Unpack the seat cushion (packaged separately) and place onto the seat of the chair.

Position the chair in your room, and don't forget to recycle the packaging where possible



CARE INSTRUCTIONS

With a little care you can prolong the life of your furniture. The following information is only intended as a general guideline. Please follow the instructions to ensure maximum longevity of your Sarah Ellison furniture. Rattan is responsive to its environment, be mindful that heat and moisture can cause movement and cracks in joints and damage lacquer.

- Avoid exposing rattan to direct heat and sunlight
- Wipe up spills immediately with a clean, dry cloth.
- Keep rough and sharp objects away from rattan surfaces.
- Dust rattan frequently with a soft, slightly damp lint-free cloth, and then wipe dry.
- Avoid using abrasives, harsh chemicals and aerosol-powered cleaners.

S E.