

SARAH ELLISON.

LULL KING BED ASSEMBLY INSTRUCTIONS

Thank you for purchasing the Sarah Ellison Lull King Bed. This document lists the contents included in your delivery. Please take the time to identify the hardware, as well as the individual components of this product. As you unpack and prepare for assembly, place the contents on a carpeted or padded area to protect them from damage.

HARDWARE



Part A
x40 Bolts
M8x35mm



Part B
x40 Spring
Washers



Part C
x40 Flat
Washers



Part D
x1 Allen Key



Part E
x64 Screws
M4x30mm



Part F
x4 Corner
Brackets



Part G
x6 Lock
Washer

TOOLS REQUIRED

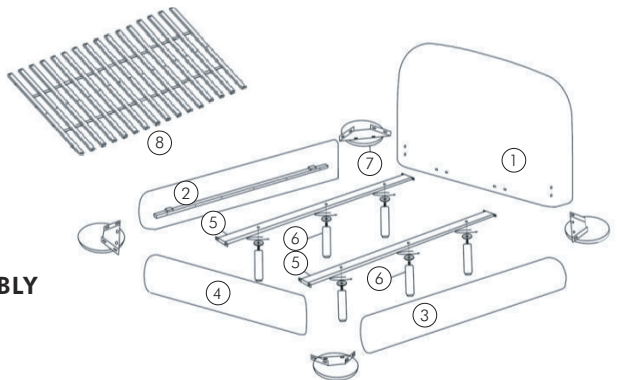
Screwdriver
Allen key (provided)

PEOPLE REQUIRED FOR ASSEMBLY

A minimum of two people are required to assemble this product

ESTIMATED TIME OF ASSEMBLY

2 hours



CUSTOMER SERVICE

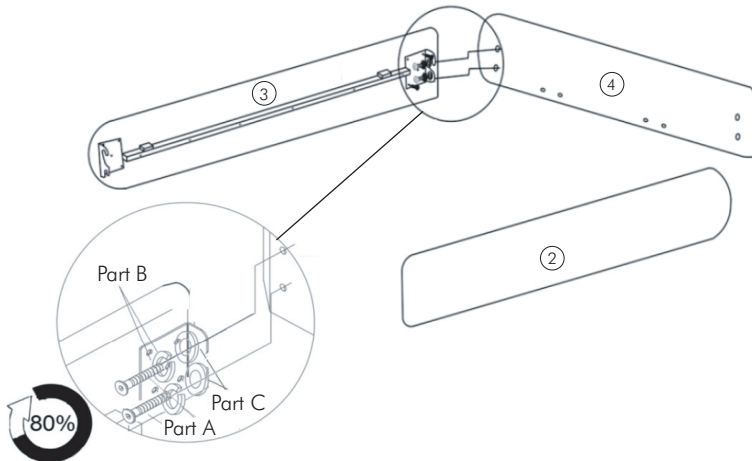
For Australian customer service contact : info@sarahellison.com.au

For any international customer service inquires please contact the retailer of purchase

SARAH ELLISON.

STEP 1

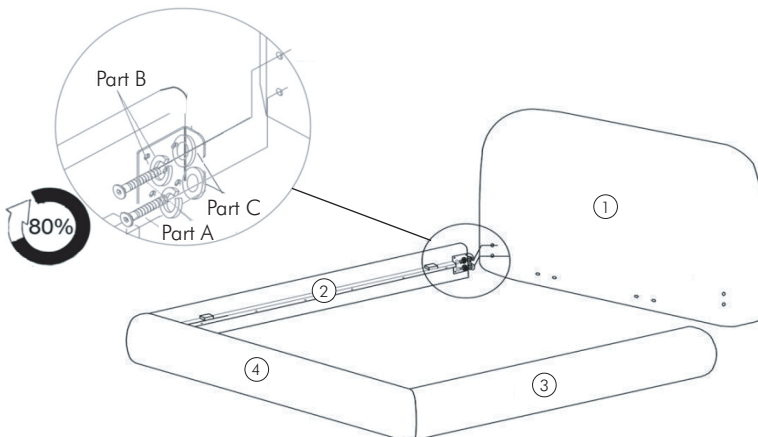
Lay the two side rails and base rail into a U shape on a clean, flat surface. The edges with piping should be facing the ground. Using 4xPart A, 4xPart B, 4xPart C and the supplied Allen key, fix the three rails together at the brackets by tightening the bolts by only 80%.



STEP 2

Attach the assembled base rail and side rails to the headboard using 4xPart A, 4xPart B, 4xPart C and the supplied Allen key. Fix the components together at the brackets by tightening the bolts by only 80%.

Once the four components have been joined together, tighten all bolts to 100%.

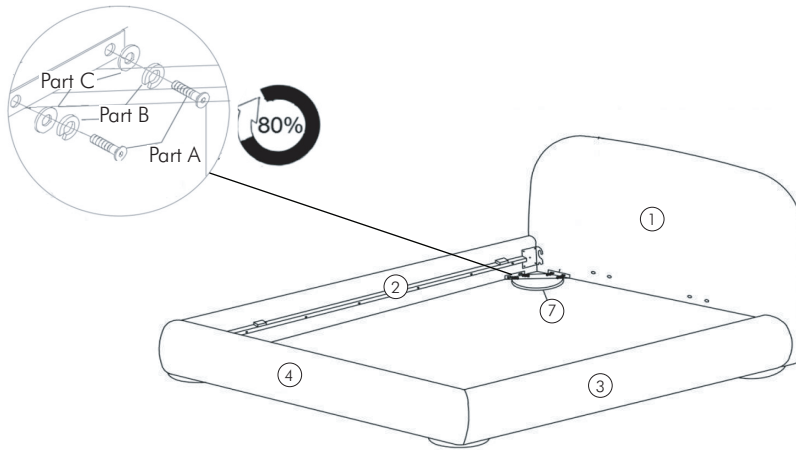


SARAH ELLISON.

STEP 3

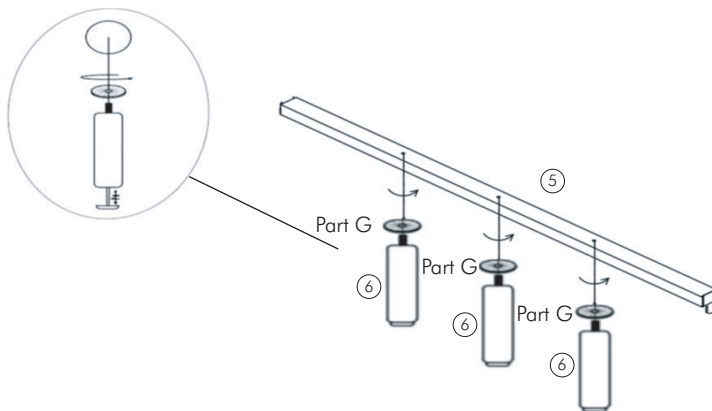
Attach the four feet to the main bed assembly by fixing the corner brackets through the holes in the rails and headboard. Use 4xPart A, 4xPart B, 4xPart C and the supplied Allen key per leg, and tighten the bolts by only 80%.

Once all feet have been attached, tighten all bolts to 100%.



STEP 4

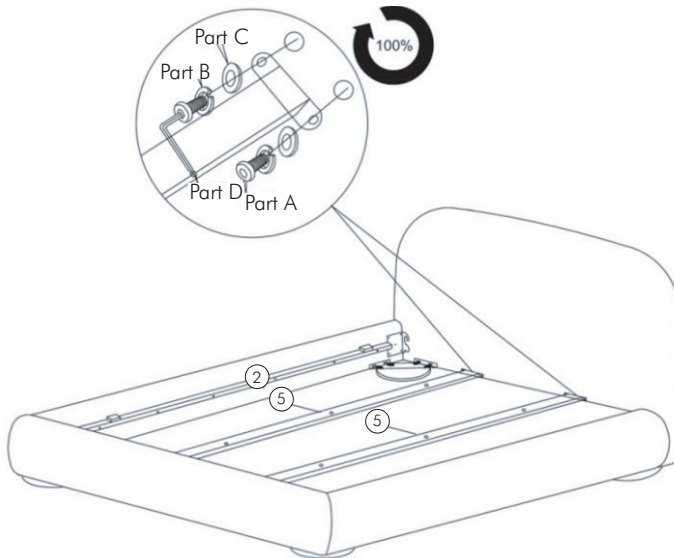
Fix the wooden feet to the centre support rails by twisting until tight, with 1xPart G between the rail and each foot.



SARAH ELLISON.

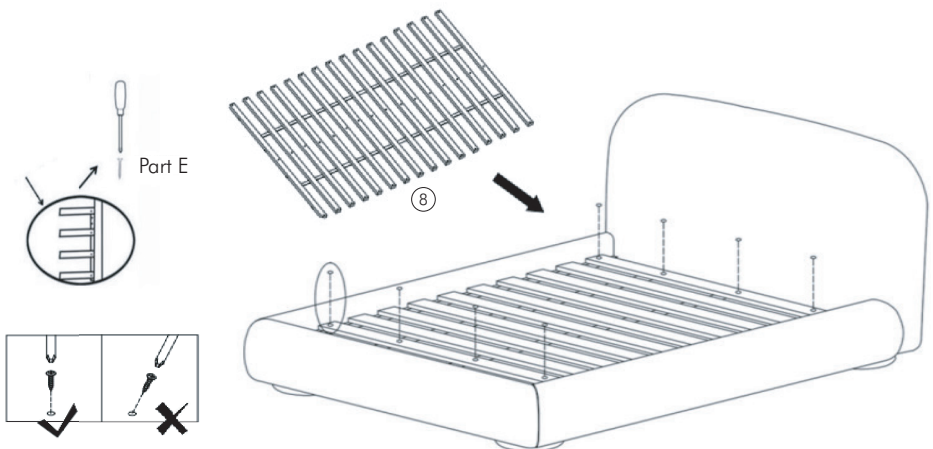
STEP 5

Attach the centre support rails to the main bed frame using 8xPart A, 8xPart B, 8xPart C and the supplied Allen key.



STEP 6

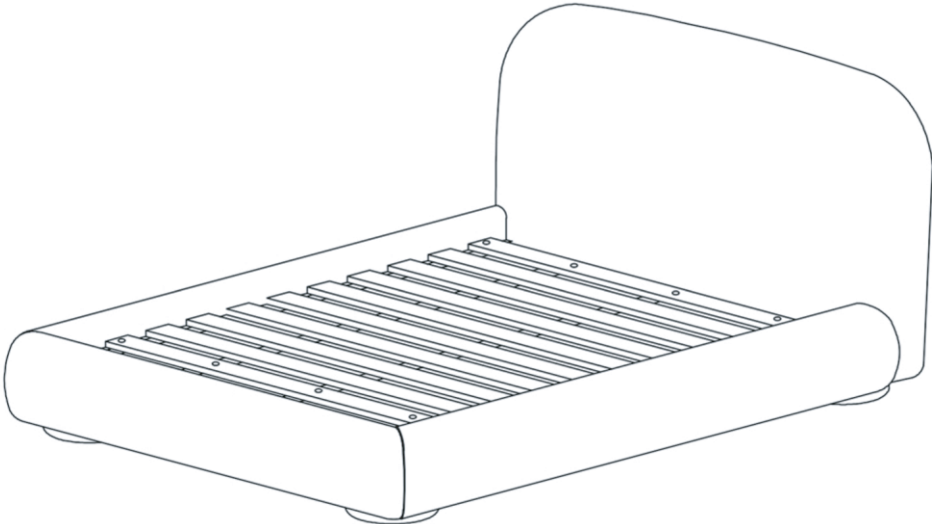
Unroll the bed slats onto the bed frame, stretching them from end to end. Using 64xPart E and a screwdriver, fasten the slats to the frame through the pre drilled pilot holes.



SARAH ELLISON.

STEP 7

The assembly is now complete and product is ready for use.



SARAH ELLISON.

CARE INSTRUCTIONS

With a little care you can prolong the life of your furniture. The following information is only intended as a general guideline. Please follow the instructions to ensure maximum longevity of your Sarah Ellison furniture.

- Vacuum textiles regularly with an upholstery attachment to remove dust and dirt.
- Place textiles out of direct sunlight to help prevent fading. Dark colors and cotton fabrics are particularly susceptible to sun.
- Have upholstered items professionally cleaned annually.
- In some cases, spot cleaning can cause a ring or fading. It is best to have the entire piece or cushion casing cleaned by a professional upholstery cleaning service to ensure uniform results.
- If you decide to spot clean on your own, check the standard cleaning codes to determine the correct type of product to use.
- Blot spills immediately with a clean, dry white cloth. Always blot from the outer edges inward to reduce the chance of a stain ring. Avoid hot water, which can set a stain.

This page has intentionally been left blank.

S E.