

SARAH ELLISON.

LUCA CONSOLE TABLE ASSEMBLY INSTRUCTIONS

Thank you for purchasing the Sarah Ellison Luca Console Table. This document lists the contents included in your delivery. Please take the time to identify the hardware, as well as the individual components of this product. As you unpack and prepare for assembly, place the contents on a carpeted or padded area to protect them from damage.

NOTE: Be sure to use hardware appropriate for your wall type. Whenever possible, attach mounting hardware into a wall stud. If you are unsure about what hardware method you should use, consult a qualified professional or your local hardware store.

HARDWARE

2 x Anti-tip Cables
4 x Washers
2 x M4x12mm screws

TOOLS REQUIRED

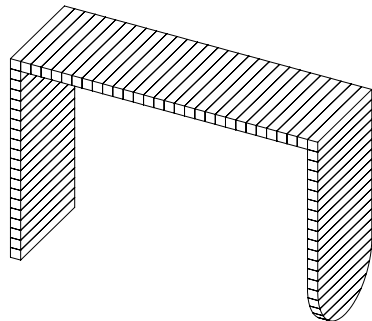
Power drill (not supplied if required)
Screwdriver (not supplied)
Measuring Tape (not supplied)

PEOPLE REQUIRED FOR ASSEMBLY

1 Person

ESTIMATED TIME OF ASSEMBLY

30 Minutes



CUSTOMER SERVICE

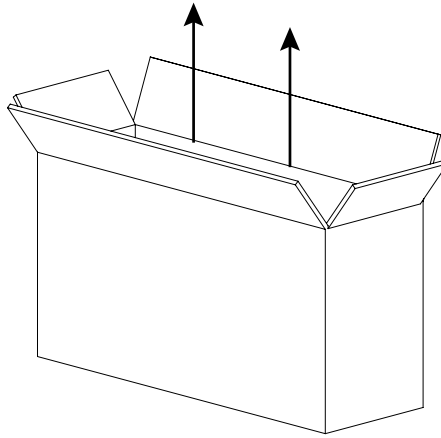
For Australian customer service contact : info@sarahellison.com.au

For any international customer service inquires please contact the retailer of purchase

SARAH ELLISON.

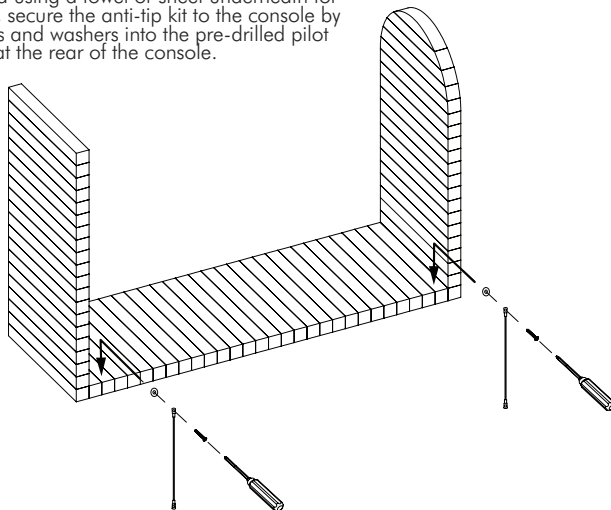
STEP 1

Open box carefully, ensuring the blade of the knife does not come into contact with the product. Remove packaging and lift the product up out of box and gently place on ground. Position in your room, and don't forget to recycle the packaging where possible



STEP 2

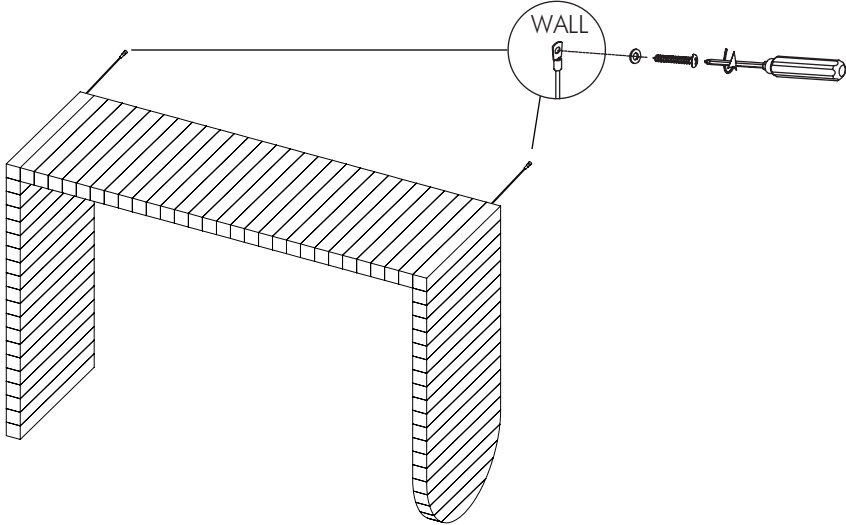
We strongly recommend that you install the provided anti-tip kit to prevent the console from accidentally falling and causing injury or damage. Gently lay the console face down onto a clean, flat, surface on the ground. We recommend using a towel or sheet underneath for protection. With a screw driver, secure the anti-tip kit to the console by screwing the M4x12mm screws and washers into the pre-drilled pilot holes on the underneath face at the rear of the console.



SARAH ELLISON.

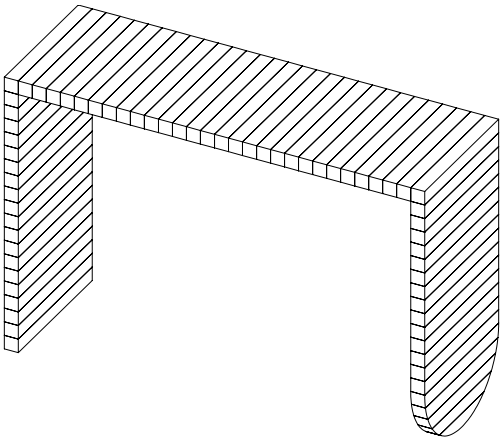
STEP 3

Position the console in place, sitting 6-8 inches out from the wall and mark on the wall where the anti-tip cables should be attached. Drill a hole into the wall to suit the appropriate fixings for your wall type. A pilot hole is recommended to be drilled for installation. Fasten the anti-tip cables to the wall using washers and appropriate fixings for your wall type.



STEP 4

Move your console back in place against the wall.



CARE INSTRUCTIONS

With a little care you can prolong the life of your furniture. The following information is only intended as a general guideline. Please follow the instructions to ensure maximum longevity of your Sarah Ellison furniture. Timber is responsive to its environment, be mindful that heat and moisture can cause movement and cracks in joints and damage lacquer.

- Avoid exposing wood to direct heat and sunlight
- Maintain consistent humidity in the space to prevent excessive expansion and contraction of wooden pieces and joints.
- Wipe up spills immediately with a clean, dry cloth.
- Over time, air and sunlight will change the colour of natural wood. Occasionally rotate the items placed on your wood furniture to allow a more uniform colour to develop. Expose table leaves to the same amount of air and sunlight as your table
- Use coasters for drinks to prevent moisture from contacting surfaces.
- Use trivets for hot pans and dishes to prevent damage to finishes and underlying wood.
- Keep rough and sharp objects away from wood surfaces.
- Apply protective pads to the undersides of items being displayed on wood surfaces, including those with rubber feet or bumpers.

S E.