

SARAH ELLISON.

ISOLA SIDE TABLE ASSEMBLY INSTRUCTIONS

Thank you for purchasing the Sarah Ellison Isola Side Table. This document lists the contents included in your delivery. Please take the time to identify the hardware, as well as the individual components of this product. As you unpack and prepare for assembly, place the contents on a carpeted or padded area to protect them from damage.

HARDWARE

None

TOOLS REQUIRED

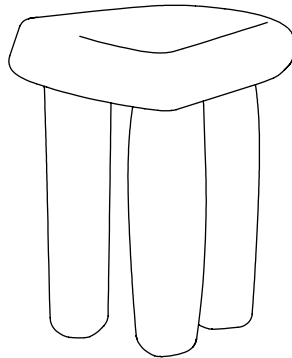
None

PEOPLE REQUIRED FOR ASSEMBLY

1 Person

ESTIMATED TIME OF ASSEMBLY

15 minutes



CUSTOMER SERVICE

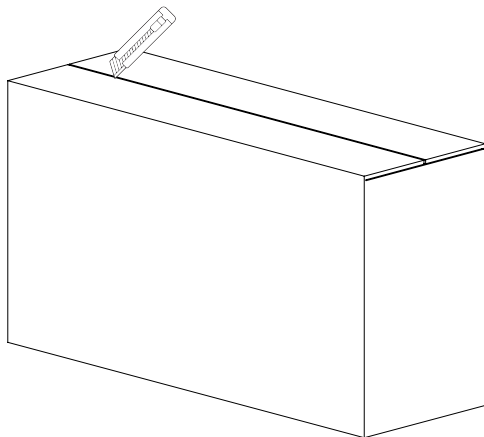
For Australian customer service contact : info@sarahellison.com.au

For any international customer service inquires please contact the retailer of purchase

SARAH ELLISON.

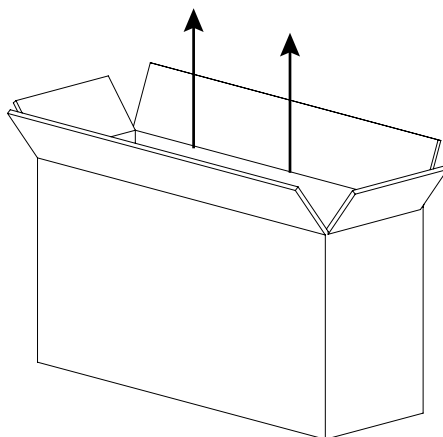
STEP 1

Open box carefully, ensuring the blade of the knife does not come into contact with the product.



STEP 2

Remove packaging and lift the product up out of box and gently place on ground.



SARAH ELLISON.

STEP 3

Position in your room, and don't forget to recycle the packaging where possible.



CARE INSTRUCTIONS

With a little care you can prolong the life of your furniture. The following information is only intended as a general guideline. Please follow the instructions to ensure maximum longevity of your Sarah Ellison furniture. It is important to be mindful in the placement of your piece, as extreme conditions (such as harsh sunlight) can change the colour of the finish. Timber is responsive to its environment, be mindful that heat and moisture can cause movement and cracks in joints and damage lacquer. As this is a high gloss finish, some light scratching is to be expected, to minimise any marks we recommend high quality soft cloths and to avoid circular motions. Where possible apply protective pads to the undersides of items being displayed on painted surfaces. We also recommend using placemats and trivets to avoid spills soaking into the timber, and to also protect against heat transfer. The general rule is if something is too hot to hold, it is too hot to place on timber. Should spills occur, wipe immediately with a damp cloth. Periodically also check and re-tighten any fasteners, we recommend every six months.

S E.