

# SARAH ELLISON.

---

## FREDDIE SIDE TABLE ASSEMBLY INSTRUCTIONS

Thank you for purchasing the Sarah Ellison Freddie Side Table. This document lists the contents included in your delivery. Please take the time to identify the hardware, as well as the individual components of this product. As you unpack and prepare for assembly, place the contents on a carpeted or padded area to protect them from damage.

---

### HARDWARE

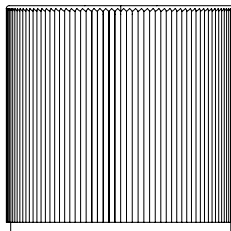
None

### TOOLS REQUIRED

None

### PEOPLE REQUIRED FOR ASSEMBLY

1 Person



### ESTIMATED TIME OF ASSEMBLY

15 Minutes

---

### CUSTOMER SERVICE

For Australian customer service contact : [info@sarahellison.com.au](mailto:info@sarahellison.com.au)

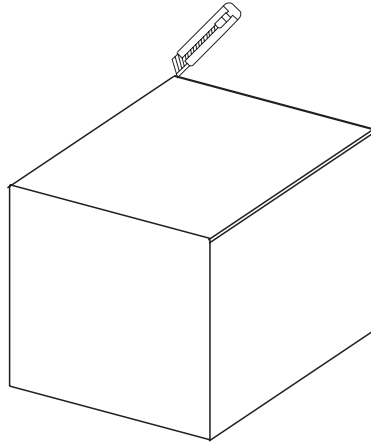
For any international customer service inquires please contact the retailer of purchase.

# SARAH ELLISON.

---

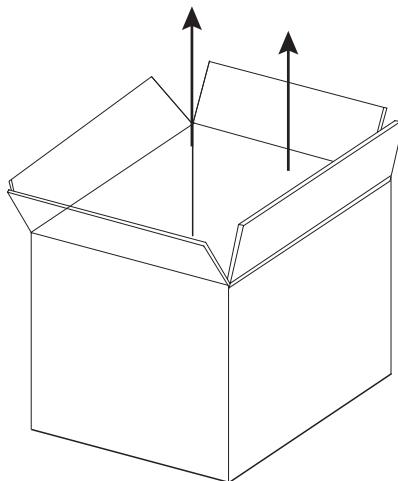
## STEP 1

Open box carefully, ensuring the blade of the knife does not come into contact with the product.



## STEP 2

Remove packaging and lift the product up out of box and gently place on ground.

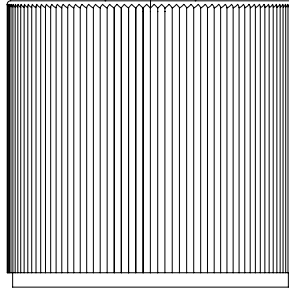


# SARAH ELLISON.

---

## STEP 3

Position in your room, and don't forget to recycle the packaging where possible



## CARE INSTRUCTIONS

With a little care you can prolong the life of your furniture. The following information is only intended as a general guideline. Please follow the instructions to ensure maximum longevity of your Sarah Ellison furniture. Rattan is responsive to its environment, be mindful that heat and moisture can cause movement and cracks in joints and damage lacquer.

- Avoid exposing rattan to direct heat and sunlight
- Wipe up spills immediately with a clean, dry cloth.
- Use coasters for drinks to prevent moisture from contacting surfaces.
- Keep rough and sharp objects away from rattan surfaces. Where possible apply protective pads to the undersides of items being displayed on rattan surfaces, including those with rubber feet or bumpers.
- Dust rattan frequently with a soft, slightly damp lint-free cloth, and then wipe dry.
- Avoid using abrasives, harsh chemicals and aerosol-powered cleaners
- For persistent spots, gently clean with a soft cloth and a solution of water and mild detergent. Wipe dry.
- Avoid furniture polish as it can accumulate over time and leave a residue

**S E.**