

SARAH ELLISON.

FIN 6 DRAWER DRESSER ASSEMBLY INSTRUCTIONS

Thank you for purchasing the Sarah Ellison Fin 6 Drawer Dresser. This document lists the contents included in your delivery. Please take the time to identify the hardware, as well as the individual components of this product. As you unpack and prepare for assembly, place the contents on a carpeted or padded area to protect them from damage.

HARDWARE

2 x Anti-tip Cables
2 x Washers
2 x M4x12mm screws

TOOLS REQUIRED

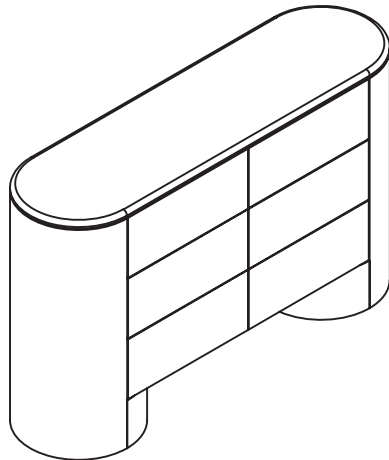
Power drill (not supplied if required)
Screwdriver (not supplied)
Measuring Tape (not supplied)

PEOPLE REQUIRED FOR ASSEMBLY

2 People

ESTIMATED TIME OF ASSEMBLY

45 minutes



CUSTOMER SERVICE

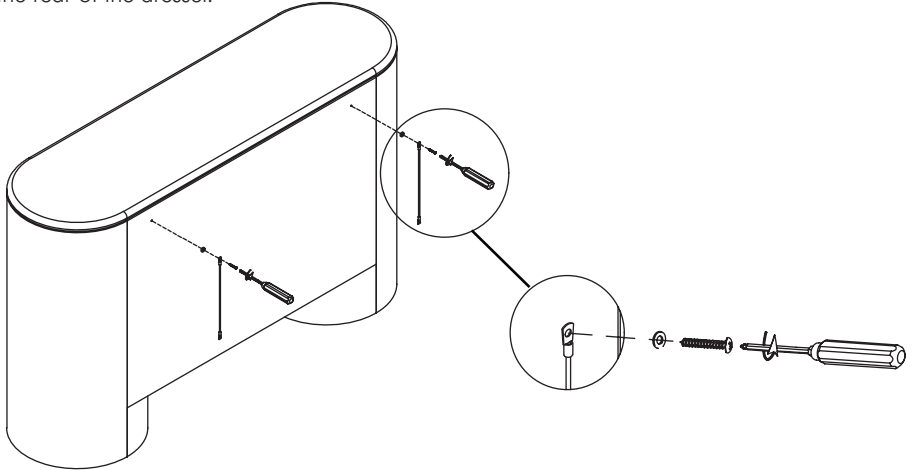
For Australian customer service contact : info@sarahellison.com.au

For any international customer service inquires please contact the retailer of purchase

SARAH ELLISON.

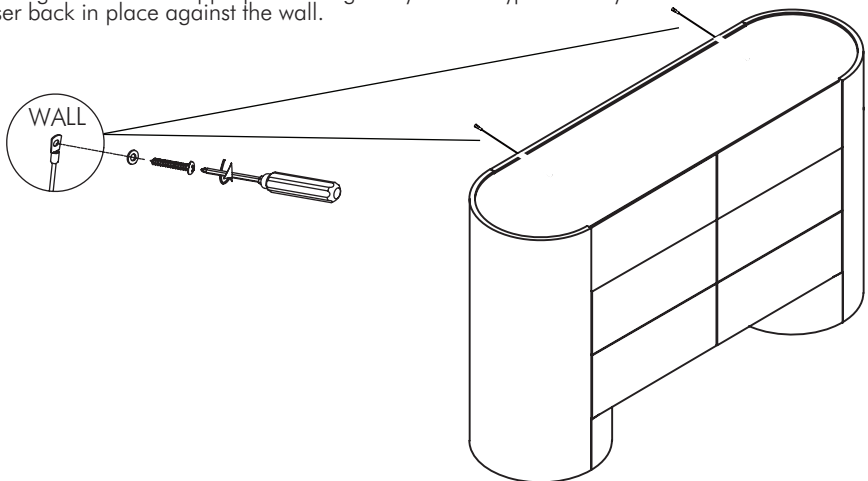
STEP 1

Open the boxes carefully, ensuring the blade of the knife does not come into contact with the product. With the help of a second person, lift the drawer unit from the carton. We strongly recommend that you install the provided anti-tip kit to prevent the dresser from accidentally falling and causing injury or damage. With a screw driver, secure the anti-tip kit to the console by screwing the M4x12mm screws and washers into the pre-drilled pilot holes on the rear of the dresser.



STEP 2

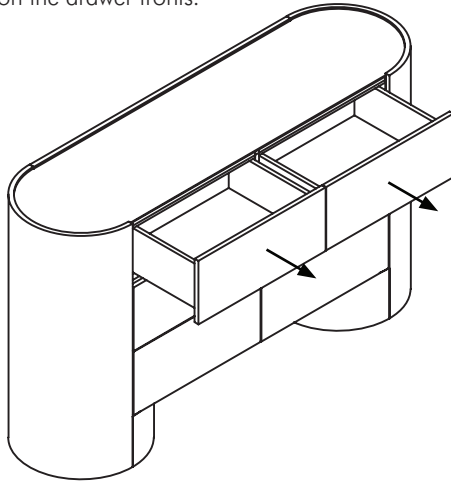
Position the dresser in place, sitting 6-8 inches out from the wall and mark on the wall where the anti-tip cables should be attached. Drill a hole into the wall to suit the appropriate fixings for your wall type. A pilot hole is recommended to be drilled for installation. Fasten the anti-tip cables to the wall using washers and appropriate fixings for your wall type. Move your dresser back in place against the wall.



SARAH ELLISON.

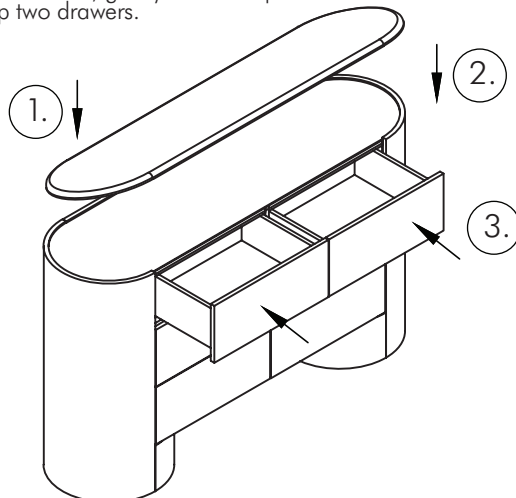
STEP 3

We recommend placing your dresser in position within your room before attaching the stone top as both components are heavy and the unit is difficult to move once assembled. Once the drawer unit is in place, open the top two drawers by pushing on the drawer fronts.



STEP 4

With the help of a second person, lift the marble top from its carton. Gently lower the marble along the back edge of the unit only, and rest the piece on the unit's top face, against the inside edge of the lip. Keeping both hands along the front edge of the marble, gently lower the piece until it sits flush on the unit top. Close the top two drawers.



CARE INSTRUCTIONS

With a little care you can prolong the life of your furniture. The following information is only intended as a general guideline. Please follow the instructions to ensure maximum longevity of your Sarah Ellison furniture.

It is important to be mindful in the placement of your piece, as extreme conditions (such as harsh sunlight) can change the colour of the finish. Timber is responsive to its environment, be mindful that heat and moisture can cause movement and cracks in joints and damage lacquer.

Our stone is treated with a protective coating however all spills should be cleaned quickly to avoid stains. Wipe spills immediately with a damp, clean cloth to avoid staining, as stone is naturally porous, the longer the spill remains, the harder it is to remove. We recommend that you use mats and coasters to protect your marble and stone from heat, scratches and permanent marks. Stone is a natural product of the earth and must be cleaned with gentle cleaners. Do not use scouring cream or scouring pads, as they may scratch the surface. Never use acidic or abrasive cleaners or vinegar on either stone or marble surfaces.

S E.