

# ELLISON STUDIOS.

## Product Care & Assembly Guide

Congratulations on your purchase of your ELLISON STUDIOS. Pepe Side Table. This document lists the contents included in your delivery.

Please take the time to read this document, as it includes important information about caring for your product as well as any assembly instructions that might be required. As you unpack your new item, place the contents on a carpeted or padded area to protect them from damage before placing the product in its final position.

### PEPE SIDE TABLE

#### Hardware

- 2 x Anti-tip Cables
- 4 x Washers
- 2 x M4x12mm screws

#### Tools Required

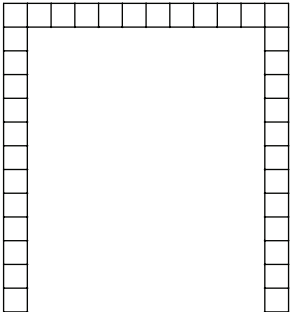
- Power drill (not supplied)
- Screwdriver (not supplied)
- Measuring Tape (not supplied)

#### People Required

- 1 Person

#### Estimated Time of Assembly

- 15 Minutes



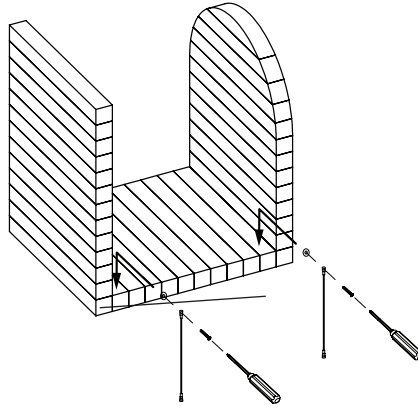
#### Contact Us

For Australian warranty related queries please contact:  
customerservice@ellisonstudios.com  
For any international customer service inquires please contact the retailer of purchase.  
Ellison Studios Group Pty Ltd

# ELLISON STUDIOS.

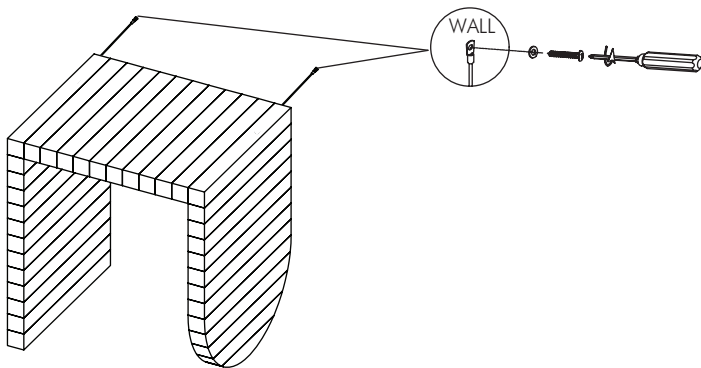
## Step 1

We strongly recommend that you install the provided anti-tip kit to prevent the table from accidentally falling and causing injury or damage. Gently lay the console face down onto a clean, flat, surface on the ground. We recommend using a towel or sheet underneath for protection. With a screw driver, secure the anti-tip kit to the table by screwing the M4x12mm screws and washers



## Step 2

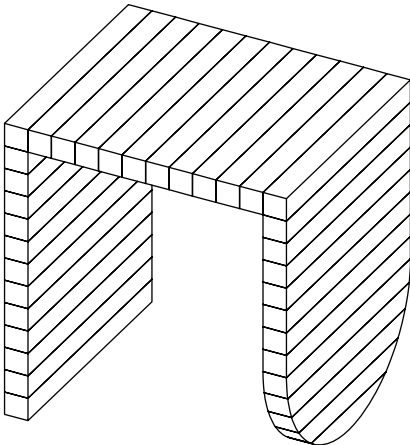
Position the table in place, sitting 6-8 inches out from the wall and mark on the wall where the anti-tip cables should be attached. Drill a hole into the wall to suit the appropriate fixings for your wall type. A pilot hole is recommended to be drilled for installation. Fasten the anti-tip cables to the wall using washers and appropriate fixings for your wall type.



# ELLISON STUDIOS.

## Step 3

Move your table back in place against the wall.



## Care Instructions

Ensure the longevity and appearance of your ELLISON STUDIOS. timber veneered and solid timber furniture with these care instructions:

**Regular Dusting:** Use a soft, dry cloth regularly to prevent the build-up of dirt and grime.

**Cleaning:** Clean with a damp cloth and mild soap solution, wiping in the direction of the wood grain. Avoid excessive water. Recommended products are available in the ELLISON STUDIOS online store.

**Avoid Direct Sunlight:** Position furniture away from windows or use curtains to prevent fading and discoloration.

**Temperature and Humidity:** Maintain a stable environment to avoid warping or cracking.

**Spills and Stains:** Blot spills immediately with a clean, dry cloth. Consult specific care instructions for tougher stains.

**Protective Measures:** Use coasters, placemats, and felt pads to prevent damage from heat, spills, and scratches.

**Polishing:** Periodically polish with recommended products from the ELLISON STUDIOS online store.

**Avoid Harsh Chemicals:** Refrain from using abrasive cleaners or harsh chemicals.

**Maintenance:** Regularly check and tighten hardware or joints, and ensure moving parts operate smoothly.

Following these simple steps and guidelines will help to ensure the longevity of your ELLISON STUDIOS. product.

# ELLISON STUDIOS.