

ELLISON STUDIOS.

Product Care & Assembly Guide

Congratulations on your purchase of your ELLISON STUDIOS. Chromeo Armchair. This document lists the contents included in your delivery.

Please take the time to read this document, as it includes important information about caring for your product as well as any assembly instructions that might be required. As you unpack your new item, place the contents on a carpeted or padded area to protect them from damage before placing the product in its final position.

CHROME0 ARMCHAIR

Hardware

None

Tools Required

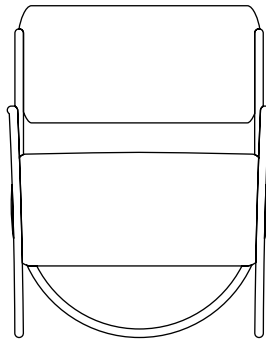
None

People Required

1 Person

Estimated Time of Assembly

Fully Assembled



Contact Us

For Australian warranty related queries please contact:

customerservice@ellisonstudios.com

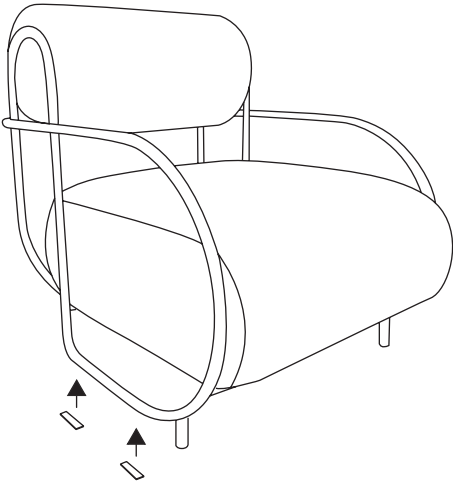
For any international customer service inquiries please contact the retailer of purchase.

Ellison Studios Group Pty Ltd

ELLISON STUDIOS.

Optional Step

Attach the provided felt strips to the base of the chair rails for additional protection.



ELLISON STUDIOS.

Care Instructions

Ensure the longevity and appearance of your ELLISON STUDIOS. fabric upholstered & metal furniture with these care instructions:

Regular Care: Vacuum periodically with an upholstery attachment to remove dust and debris. Blot spills immediately with a clean, dry cloth. Follow specific care instructions for stubborn stains.

Metal: Clean powder-coated metal surfaces with a mild soap solution and water. Use a soft cloth or sponge to avoid scratching the finish. Rinse thoroughly and dry with a clean cloth to prevent water spots.

Avoid Prolonged Sun Exposure: Minimize exposure to direct sunlight to prevent fading and deterioration.

Rotate Cushions: Regularly rotate and fluff cushions to ensure even wear and maintain shape.

Protect from Sharp Objects: Avoid placing sharp objects on or near the furniture to prevent snags and tears.

Floor Protection: Use protective felt pads under the legs to prevent scratches on floors.

Avoid Harsh Cleaning Chemicals: Do not use abrasive cleaners or harsh chemicals. Refer to specific care instructions for your fabric type.

Professional Cleaning: Consider professional cleaning services every 12-18 months.

Fabric Protection: Use fabric protection sprays safe for your upholstery. Recommended products are available from ellisonstudios.com.

Following these simple steps and guidelines will help to ensure the longevity of your ELLISON STUDIOS. product.

ELLISON STUDIOS.