

# SARAH ELLISON.

---

## BELL TABLE LAMP ASSEMBLY INSTRUCTIONS

Thank you for purchasing the Sarah Ellison Bell Table Lamp. This document lists the contents included in your delivery. Please take the time to identify the hardware, as well as the individual components of this product. As you unpack and prepare for assembly, place the contents on a carpeted or padded area to protect them from damage.

---

### **HARDWARE**

Included

### **GLOBE REQUIRED**

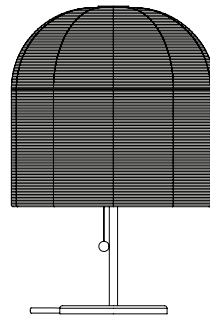
E27 9W Max

### **PEOPLE REQUIRED FOR ASSEMBLY**

One person is recommended to place this product

### **ESTIMATED TIME OF ASSEMBLY**

10 minutes



---

### **CUSTOMER SERVICE**

For Australian customer service contact : [customerservice@sarahellison.com.au](mailto:customerservice@sarahellison.com.au)

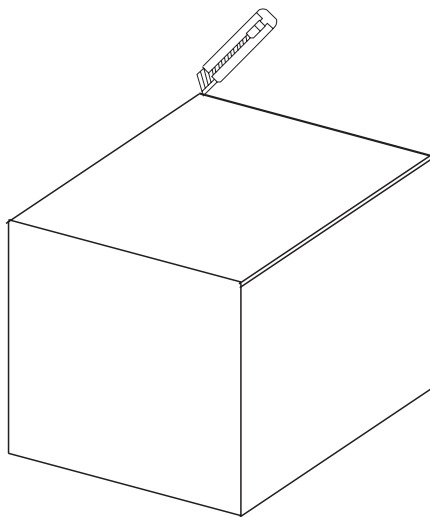
For any international customer service inquires please contact the retailer of purchase.

# SARAH ELLISON.

---

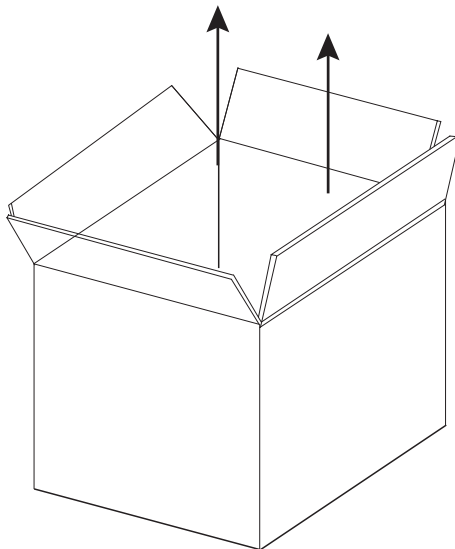
## STEP 1

Open boxes carefully, ensuring the blade of the knife does not come into contact with the product.



## STEP 2

Remove packaging and lift the product up out of box and gently place on ground.

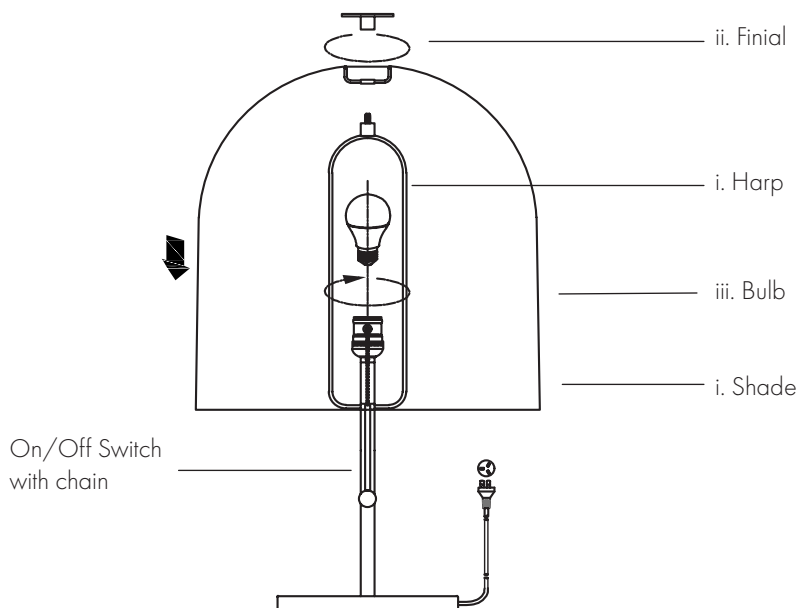


# SARAH ELLISON.

---

## STEP 3

- i. Carefully fit the shade onto the harp
- ii. Secure shade with finial.
- iii. Insert bulb into the sockets. DO NOT EXCEED SPECIFIED WATTAGE (9W)

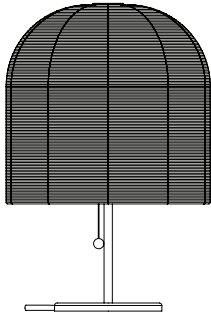


# SARAH ELLISON.

---

## STEP 4

Assembly is now complete. Position lamp and recycle packaging where possible



## **CARE INSTRUCTIONS**

With a little care you can prolong the life of your Sarah Ellison lighting. The following information is only intended as a general guideline. Please follow the instructions to ensure maximum longevity of your Sarah Ellison lighting.

- Dust shade and bases with soft dry cloth.
- Avoid placing in direct sunlight.
- Do not use abrasive cleaner.
- For more persistent build-up, wipe hard surfaces with a damp cloth and dry.

**S E.**