

CARE INSTRUCTIONS

With a little care you can prolong the life of your furniture. The following information is only intended as a general guideline. Please follow the instructions to ensure maximum longevity of your Sarah Ellison furniture.

- Dirt and stains are unavoidable on cushions used outdoors, so therefore do not leave them outside in the rain. Cover them or bring them indoors when not used.
- Remove loose dirt or debris to avoid the fabric from staining. Remove dirt or spills immediately. Clean the fabric with a soft cloth and mild detergent. Always clean the entire surface of the fabric to avoid water rings. Always test a small, less visible area of the fabric first before cleaning any visible surface.
- We do not recommend the use of chemical cleansers, abrasives or furniture polish on our lacquered finish.

SARAH ELLISON.

MUSE OUTDOOR LAF/RAF MODULE ASSEMBLY INSTRUCTIONS

Thank you for purchasing the Sarah Ellison Muse Outdoor Laf/Raf Module . This document lists the contents included in your delivery . Please take the time to identify the hardware, as well as the individual components of this product. As you unpack and prepare for assembly, place the contents on a carpeted or padded area to protect them from damage.

HARDWARE

Alligator Clip (Pre-Installed)

TOOLS REQUIRED

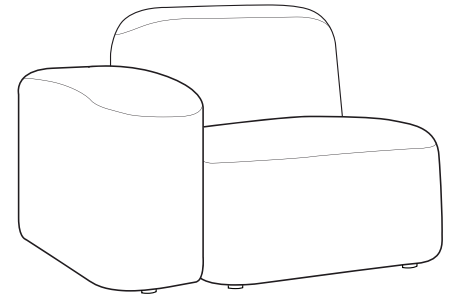
None

PEOPLE REQUIRED FOR ASSEMBLY

Two people are recommended to place this product

ESTIMATED TIME OF ASSEMBLY

15 mins



CUSTOMER SERVICE

For Australian customer service contact : info@sarahellison.com.au

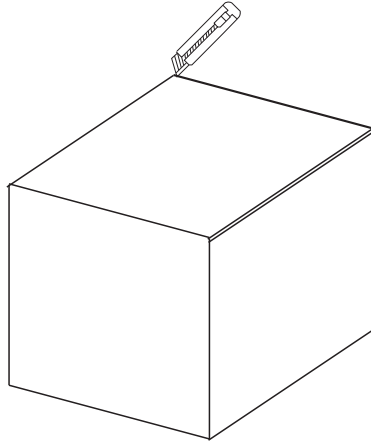
For any international customer service inquires please contact the retailer of purchase

S E.

SARAH ELLISON.

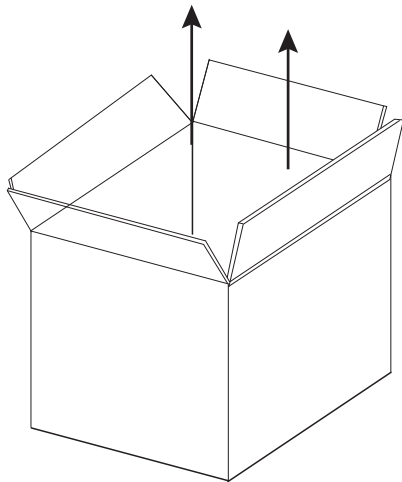
STEP 1

Open box carefully, ensuring the blade of the knife does not come into contact with the product.



STEP 2

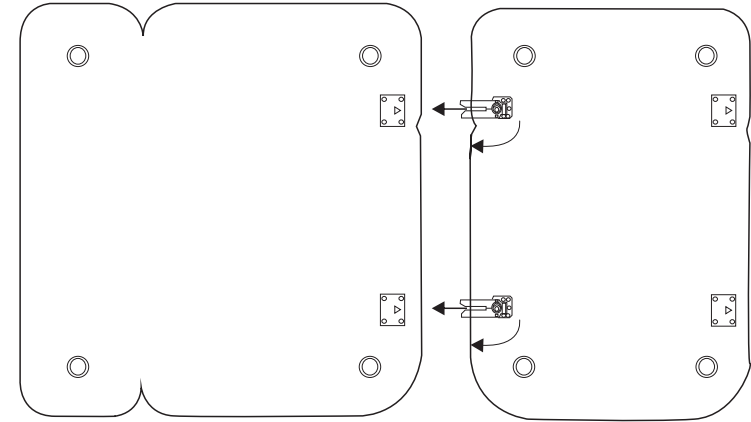
Remove packaging and lift the product up out of box and gently place on ground.



SARAH ELLISON.

STEP 3

To connect the module pieces together to make a larger sofa, turned the preassembled aligator clip outwards and align the 'male' and 'female' connector pieces on the sides of the module and slide together.



STEP 4

Position in your room, and don't forget to recycle the packaging where possible

