

CARE INSTRUCTIONS

With a little care you can prolong the life of your furniture. The following information is only intended as a general guideline. Please follow the instructions to ensure maximum longevity of your Sarah Ellison furniture.

- Dirt and stains are unavoidable on cushions used outdoors, so therefore do not leave them outside in the rain. Cover them or bring them indoors when not used.
- Remove loose dirt or debris to avoid the fabric from staining. Remove dirt or spills immediately. Clean the fabric with a soft cloth and mild detergent. Always clean the entire surface of the fabric to avoid water rings. Always test a small, less visible area of the fabric first before cleaning any visible surface.
- We do not recommend the use of chemical cleansers, abrasives or furniture polish on our lacquered finish.

SARAH ELLISON.

MUSE OUTDOOR ARMLESS MODULE ASSEMBLY INSTRUCTIONS

Thank you for purchasing the Sarah Ellison Muse Outdoor Armless Module. This document lists the contents included in your delivery. Please take the time to identify the hardware, as well as the individual components of this product. As you unpack and prepare for assembly, place the contents on a carpeted or padded area to protect them from damage.

HARDWARE

Alligator Clip (Pre-Installed)

TOOLS REQUIRED

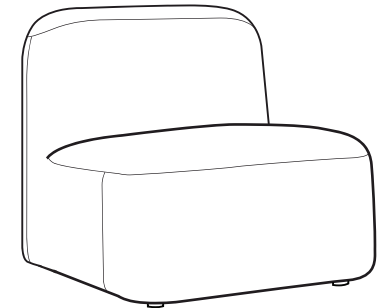
None

PEOPLE REQUIRED FOR ASSEMBLY

Two people are recommended to place this product

ESTIMATED TIME OF ASSEMBLY

15 mins



CUSTOMER SERVICE

For Australian customer service contact : info@sarahellison.com.au

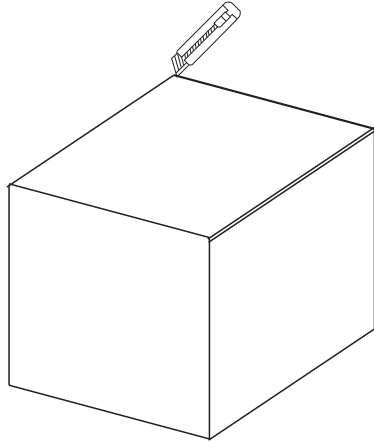
For any international customer service inquires please contact the retailer of purchase

S E.

SARAH ELLISON.

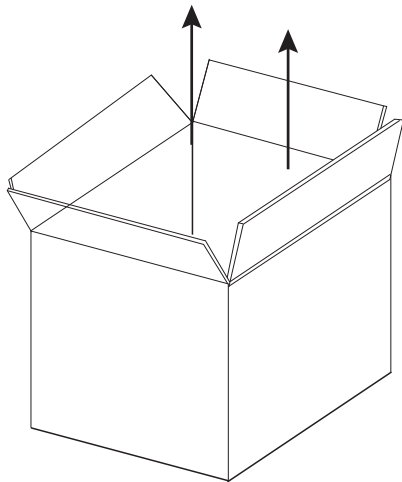
STEP 1

Open box carefully, ensuring the blade of the knife does not come into contact with the product.



STEP 2

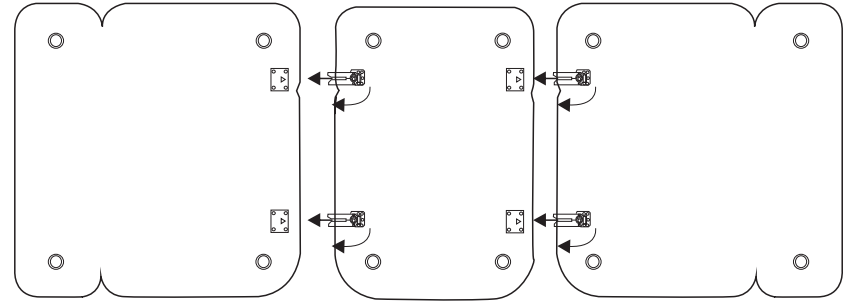
Remove packaging and lift the product up out of box and gently place on ground.



SARAH ELLISON.

STEP 3 - Optional

To connect the module pieces together to make a larger sofa, turned the preassembled aligator clip outwards and align the 'male' and 'female' connector pieces on the sides of the module and slide together.



STEP 4

Position in your room, and don't forget to recycle the packaging where possible

