



## EVENTEC

Distributor for Event Lighting / Lite,  
Event Audio, Event Pixels, Antari,  
HES, Spark Fabrica and PR Lighting  
1/14 Nello Place  
Wetherill Park NSW 2164 Australia  
ABN: 36 164 748 716  
+61 2 98973077  
sales@eventec.com.au

### Engineering and SW for RO/Ri free standing frame

LED screen free standing frame shown in drawing below has the following specifications and conditions of use.

#### SW Limits

Maximum height of 3m

#### Ballast

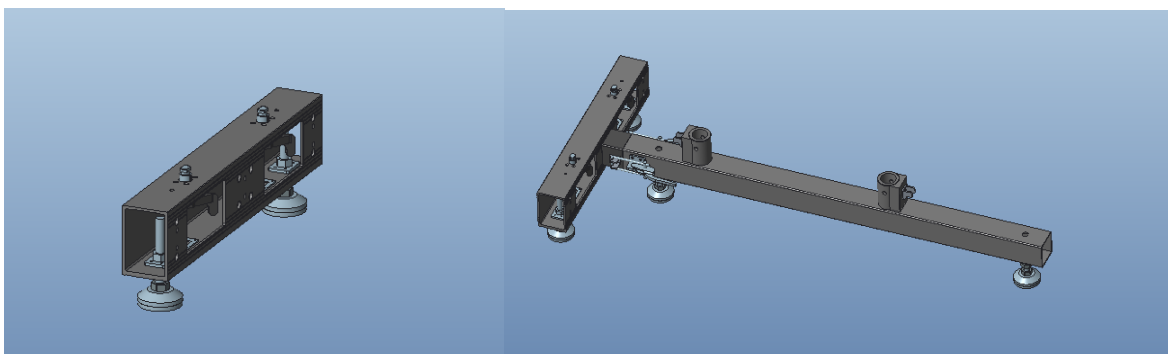
Rear counterweights are required.

- a. 1m high (none required)
- b. 2m high (25Kg per 2<sup>nd</sup> bar)
- c. 3m high (75Kg per 2<sup>nd</sup> bar)

Frame is suitable for temporary external use but this report does not factor wind loads and site specific engineering report is required. Extra ballast and supports may be required

#### Conditions of use

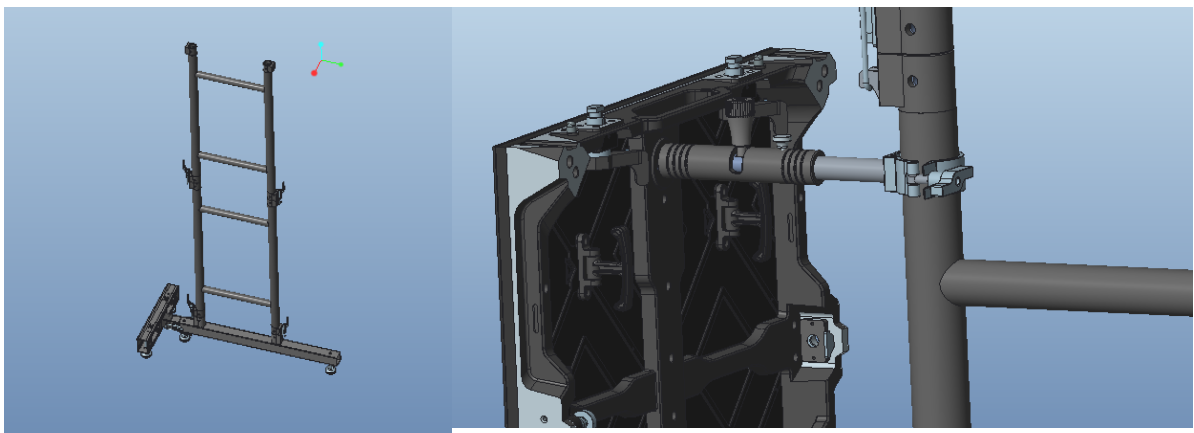
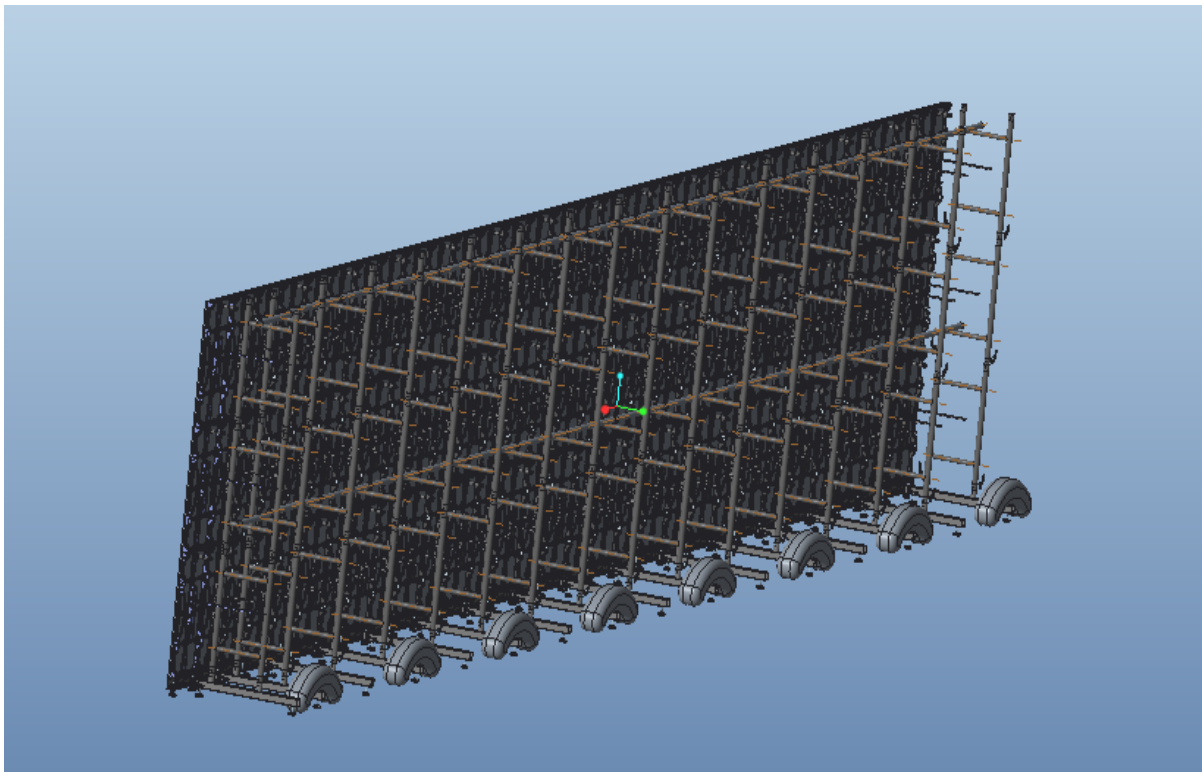
1. Bottom bars must be placed level by adjusting feet and must never lean forward.
2. All feet must be touching the ground firmly
3. It must be on solid ground (ie concrete or timber), The frame cannot be used on grass or sandy areas or any area where the ground is not firm.
4. Frame must be used on at least every 2<sup>nd</sup> screen column and bracing bracket must be used on every cabinet.





## EVENTEC

Distributor for Event Lighting / Lite,  
Event Audio, Event Pixels, Antari,  
HES, Spark Fabrica and PR Lighting  
1/14 Nello Place  
Wetherill Park NSW 2164 Australia  
ABN: 36 164 748 716  
+61 2 98973077  
sales@eventec.com.au





## EVENTEC

Distributor for Event Lighting / Lite,  
Event Audio, Event Pixels, Antari,  
HES, Spark Fabrica and PR Lighting  
1/14 Nello Place  
Wetherill Park NSW 2164 Australia  
ABN: 36 164 748 716  
+61 2 98973077  
[sales@eventec.com.au](mailto:sales@eventec.com.au)

