



MICRO SWITCH

FREEPORT, ILLINOIS, U.S.A.
A DIVISION OF HONEYWELL

FED. MFG. CODE 91929

SWITCH - BASIC

CATALOG LISTING

BZ-2R-A2

AGM2000 / JG-05660

M BZ-2R-A2
PAGE 1 OF 1

RELEASE NO.

DRAWING NUMBER

ISSUE 13

REVISIONS

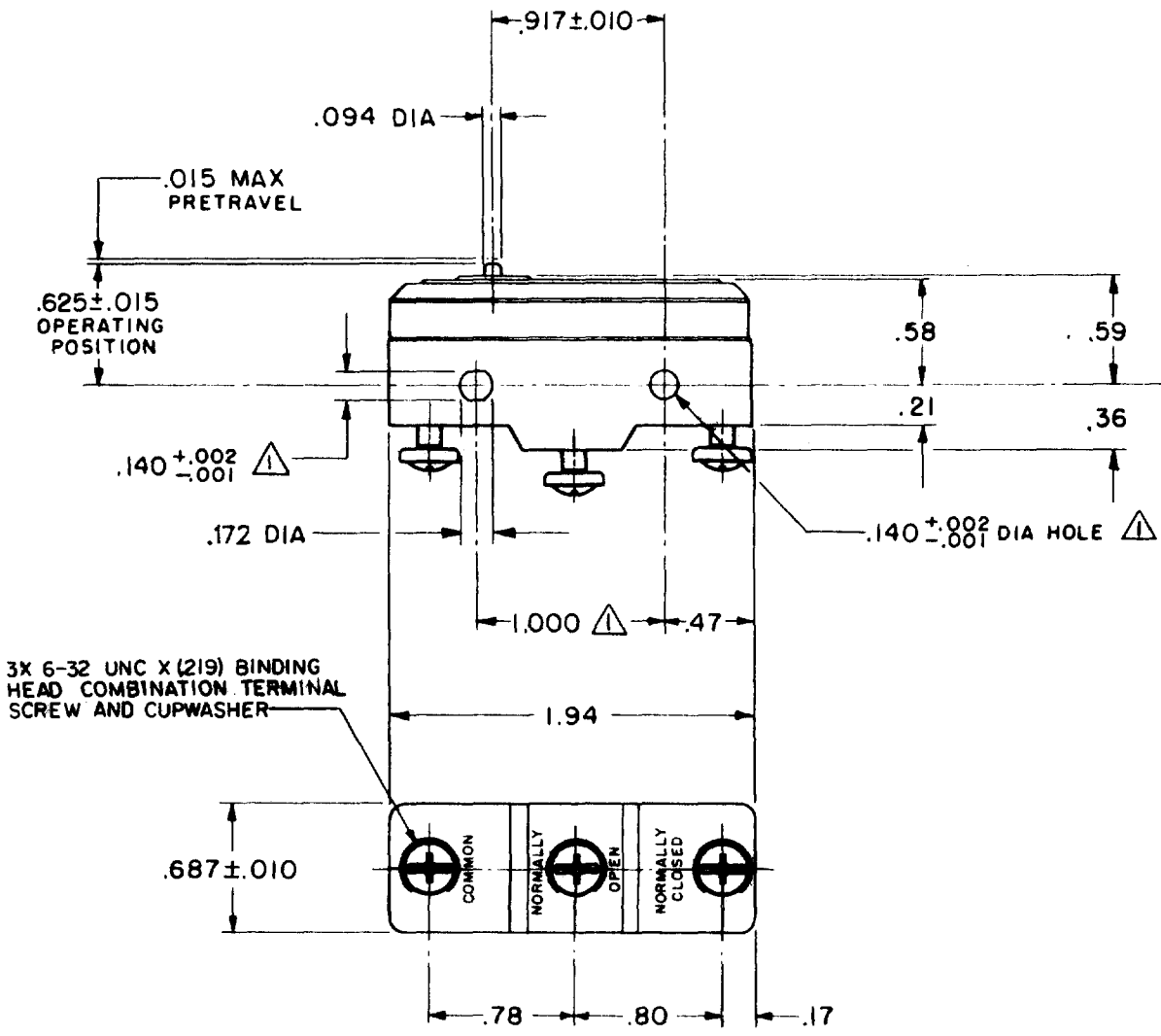
A	CO17410	GCH	12 APRIL 63	29 AUG 05
B	CO31092	C	OCT 72	
C	CO-73287-B	DHO	17 MAY 93	
D	CO-77589	KDR	29 MAR 94	
E	CO93346	DLT	1 SEP 98	
F	0015138	SPK	29 AUG 05	

FORMTEK FO-80376

DRAWN GCH 12 APRIL 63

CHECK R.S.D.

CHECK 2 APR 63



NOTE
 ▲ - MOUNTING HOLES WILL ACCEPT PINS OR SCREWS OF .139 MAX DIA ON 1.000 ± .002 CENTERS

THIS DRAWING COVERS A PROPRIETARY ITEM AND IS THE PROPERTY OF MICRO SWITCH, A DIVISION OF MINNEAPOLIS-HONEYWELL REGULATOR CO. THIS DRAWING IS NOT TO BE COPIED OR USED WITHOUT THE APPROVAL OF MICRO SWITCH.

CHARACTERISTICS	ELECTRICAL DATA	SCALE FULL
OPERATING FORCE ----- 9 - 13 OZ	CONTACT ARRANGEMENT S P D T	DO NOT SCALE PRINT
RELEASE FORCE ----- 4 OZ MIN	-L74- 15A-125, 250 OR 480 VAC, 2A-600 VAC 1/8HP-125 VAC; 1/4HP-250 VAC 1/2A-125 VDC; 1/4A-250 VDC	UNLESS OTHERWISE NOTED DIMENSIONS ARE IN INCHES TOLERANCES ARE:
DIFFERENTIAL TRAVEL --- .0004 - .0020	-L288- CE EN ₀₅ SP RU -L306- EC -L315-	ONE PLACE (.0) ±.030 TWO PLACE (.00) ±.015 THREE PLACE (.000) ±.005 ANGLES ±
OVERTRAVEL ----- .005 MIN	16A 250V ~ T85 5E4	WEIGHT .063 LB