



Sunflower Warmer



medical
sales &
service

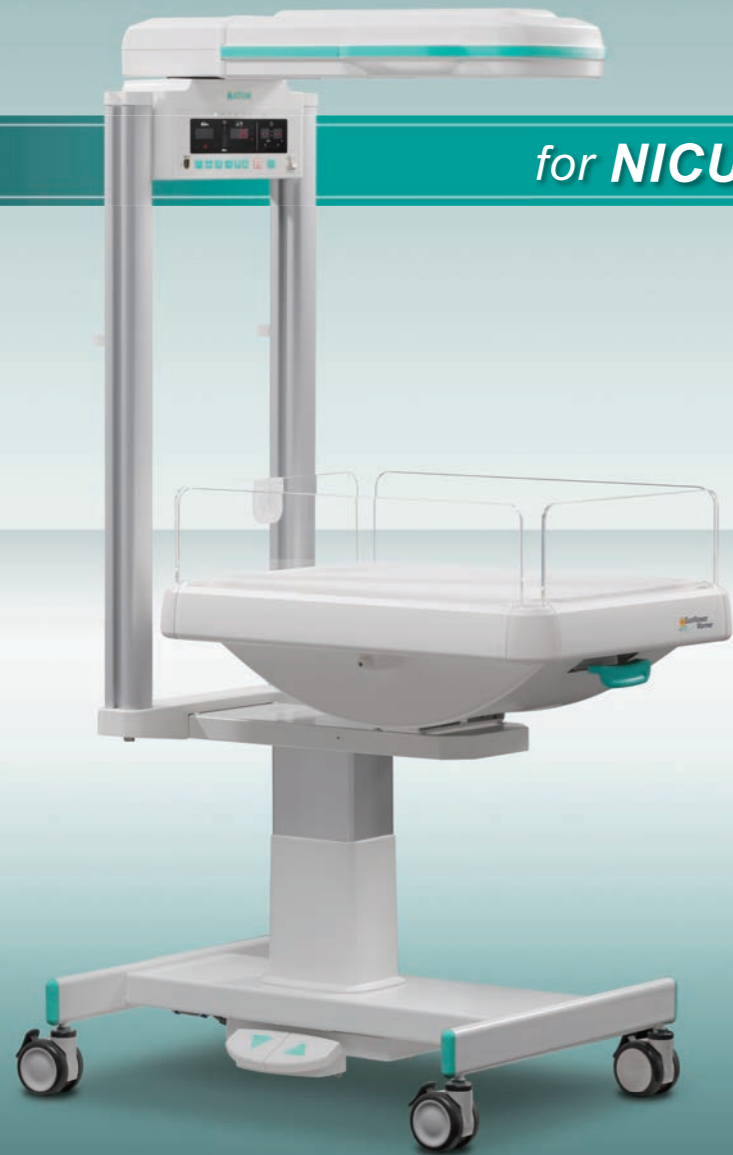


Simple & Flexible model

Total support from postnatal treatment to NICU care.

The most suitable model can be chosen from a cost-effective line up.

Hi-Low/Tilt



for **NICU**

Cabinet/Tilt



for **Obstetrics**

Cabinet



for **Clinic**

Stand



Wall Mount



Flexible
for
NICU
use

*Sufficient optional accessories to neonatal care
can be mounted.*



Surgical operations can be performed safely in the NICU.

“Baby-friendly” function to relieve infant’s stress.

◆ **Wide accessible workspace for surgical treatment**

- Easy to handle the anesthetic equipment.
- A range of peripheral devices such as resuscitation unit (T-piece resuscitator, oxygen blender and suction unit), phototherapy unit, examination light, weight monitor, syringe pump, etc. can be mounted through F-Rail.



Hi-Low/Tilt
for NICU

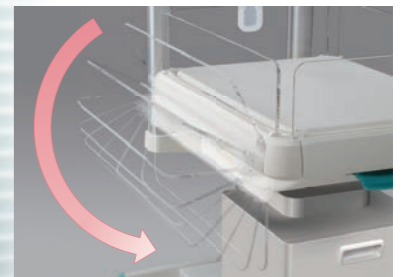


Stand	HL
Apger Timer	○
CPR Timer	○
Mattress platform tilting	○
Rotary damper	○
Drawer	▲
Castor	Double-wheel

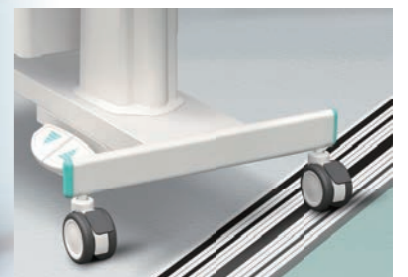
○: Standard ▲: Optional



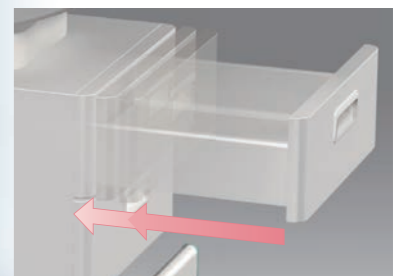
◆ **Reduces the infant's stress and supports daily care giving**



- Baby-guard with very quiet rotary damper.



- Double-wheel castor enables stable and smooth transportation.



- Self-closing drawer that closes slowly and silently.

*The drawer shown is optional.

Flexible
for
Obstetrics
use

Best for urgent postnatal treatment.



Prompt and safe resuscitation can be performed.

◆ Resuscitation treatment in compliance with ILCOR Consensus 2010 can be achieved.

• CPR Timer prompts the user to assess the health condition of the infant every 30 seconds.



• Resuscitation unit (T-piece resuscitator, oxygen blender and suction unit) and weight monitor, etc. can be mounted through F-Rail.

Cabinet/Tilt
for NICU & Obstetrics



Stand	Fixed
Apger Timer	<input type="checkbox"/>
CPR Timer	<input type="checkbox"/>
Mattress platform tilting	<input type="checkbox"/>
Rotary damper	<input type="checkbox"/>
Cabinet	<input type="checkbox"/>
Castor	Double-wheel

: Standard

Cabinet
for Obstetrics & Clinic



Stand	Fixed
Apger Timer	<input type="checkbox"/>
CPR Timer	<input type="checkbox"/>
Rotary damper	<input type="checkbox"/>
Cabinet	<input type="checkbox"/>
Castor	Double-wheel

: Standard

Movable design.



Stand
for Obstetrics & Clinic

Apger Timer	<input type="checkbox"/>
CPR Timer	<input type="checkbox"/>
Castor	Single-wheel

: Standard

Space-saving design.



Wall Mount
for Obstetrics & Clinic

Apger Timer	<input type="checkbox"/>
CPR Timer	<input type="checkbox"/>

: Standard

Line Up

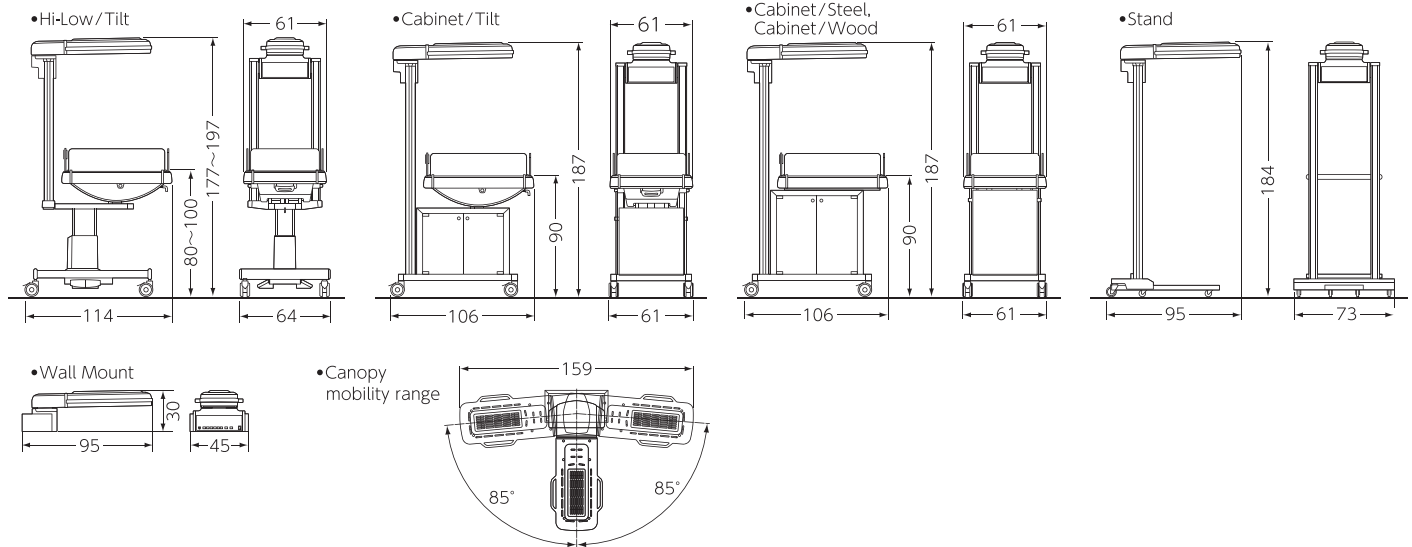
Sunflower Warmer		
Type	Atom's code	Description
Hi-Low/Tilt	00000	AC120V±10%
	00000	AC230V±10%
Cabinet/Tilt	00000	AC120V±10%
	00000	AC230V±10%
Cabinet/Steel	00000	AC120V±10%
	00000	AC230V±10%

Type	Atom's code	Description
Cabinet/Wood	00000	AC120V±10%
	00000	AC230V±10%
Stand	00000	AC120V±10%
	00000	AC230V±10%
Wall Mount	00000	AC120V±10%
	00000	AC230V±10%

Specifications

Power requirements	Main body:Customer specified Power consumption:700VA Hi-Low stand Power consumption:120VA						
Classification	Class I, Type BF						
Temperature control	Heater capacity:500W Skin temperature display range:30.0~42.0°C Skin temperature setting range:34.0~38.0° Heater output setting range:0~100% (in 5% increments) Heater output indication:In 10 levels Alarms:Set temperature, baby check, power failure, system failure, skin temperature probe						
Timer	0~60 minutes 00 seconds (in one second increments) Apgar mode/CPR mode selectable						
Mattress platform tilting	Longitudinal tilt of ±13° (freely adjustable)						
Canopy mobility range	Horizontal rotation:170° (85° both clockwise and counterclockwise)						
Dimensions	Main body (Hi-Low/Tilt):64(W)×114(D)×177~197(H)cm Mattress surface:80~100cm in height Main body (Cabinet/Tilt, Cabinet/Steel, Cabinet/Wood):61(W)×106(D)×187(H)cm Mattress surface:90cm in height Main body (Stand):73(W)×95(D)×184(H)cm Mattress surface:*66~86cm (Available) in height Main body (Wall Mount):45(W)×95(D)×30(H)cm Mattress surface:Depending on the wall mount height						
Weight	Hi-Low/Tilt:Approx. 89kg Cabinet/Tilt, Cabinet/Steel:Approx. 96kg Cabinet/Wood:Approx. 85kg Stand:Approx. 51kg Wall Mount:Approx. 20kg						
Accessories	Type	Hi-Low/Tilt	Cabinet/Tilt	Cabinet/Steel	Cabinet/Wood	Stand	Wall Mount
	Skin Temp Probe	○	○	○	○	○	○
	Dust cover	○	○	○	○	×	×
	Cord holder	○	○	○	○	○	×
	Operation Manual	○	○	○	○	○	○

Dimensional drawing Unit:cm



A: 38 Hector Street OSBORNE PARK WA 6017
T: 08 9361 0843 | **F:** 08 9470 3647
E: medsales@medsales.com.au | **W:** www.medsales.com.au