

# *Rabee Incu*j**



medical  
sales &  
service

# *New Generation*

*Provides the optimal environment to the infant.*

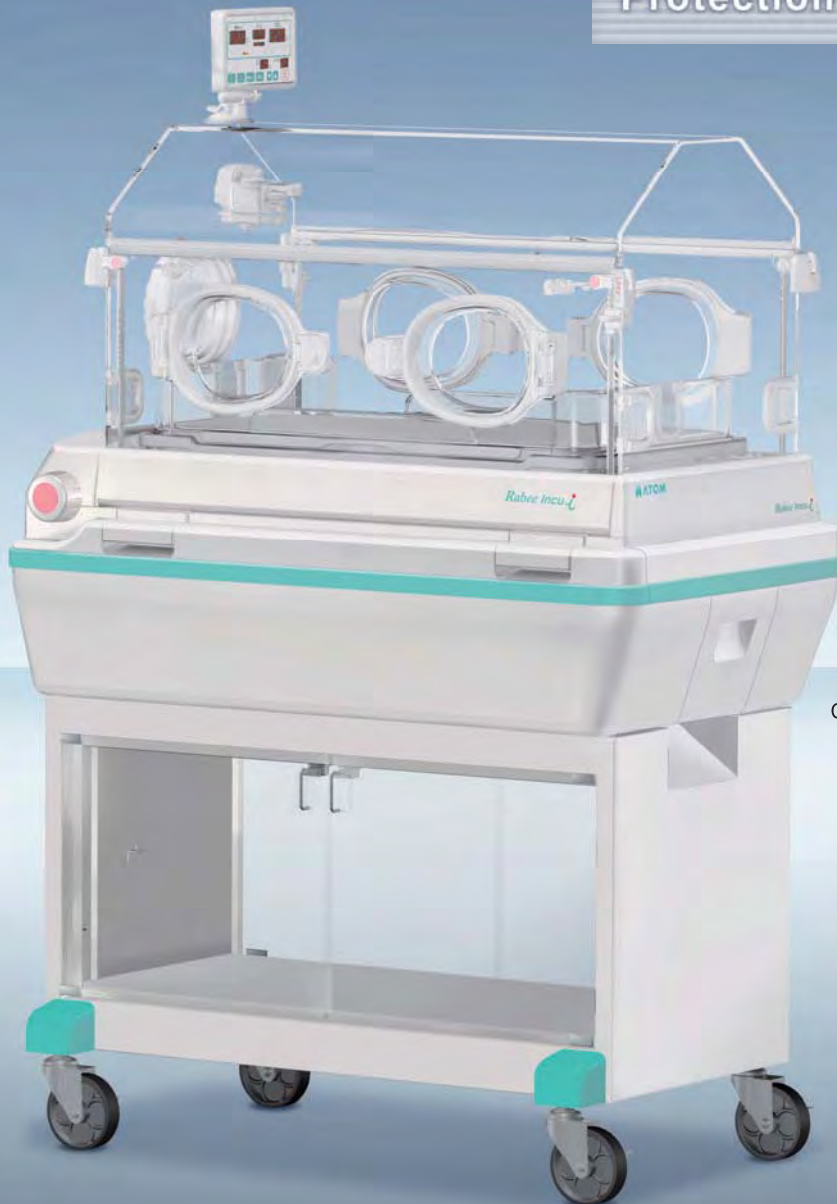


Fixed Stand

High basic performance

Prevention of temperature loss

Protection against infection



Cabinet Stand



# High basic performance

## ◆ Control panel

The sucking disk of the LED display is removable and enables you to operate at the best place on the hood.



## ◆ Double lock system

The double lock system of the admittance panel prevents the infant from falling out of the incubator accidentally.



## ◆ Snap-open access ports can be opened and closed silently

The infant is protected from the stress of acoustic stimulation caused by opening and closing the access ports.



## ◆ Compact design

The compact size enables you to minimize the risk of infection when accessing to the infant.

## ◆ Excellent visibility

Excellent visibility is available from the large transparent hood even during humidification.



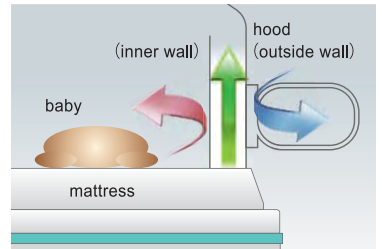
- Infant's temperature loss due to radiation of heat is reduced.
- Infant's temperature loss due to air flow is reduced by the controlled circulation flow rate in the incubator.
- Infant's temperature loss due to the thermal transfer is reduced by maintaining a stable temperature in the incubator.

### ◆ Mattress platform tilting function

The mattress platform can be tilted without opening the front admittance panel.

### ◆ Air curtain of access port

Air curtain to minimize a drop in the incubator air temperature. The air curtain prevents ambient air from entering the incubator even when the snap-open access ports are opened.



# Protection against infection

### ◆ Sanitary structure for thorough cleaning of the unit

The component parts of the incubator can be detached and cleaned easily.

### ◆ Electro static filter

A dirty filter can be checked through the transparent window. The filter is easily exchanged without using any tool.



### ◆ Easily detachable humidity chamber

The humidity chamber can be detached and cleaned easily.



# Line Up

Rabee Incu <i>i</i> (main body) Atom Infant Incubator 102	
Atom's code	Description
61551	AC120V±10%, Main unit only
61552	AC230V±10%, Main unit only

(stand)	
Atom's code	Description
61612	<b>Fixed Stand</b>
61613	<b>HL Stand AC120V±10%</b>
61614	<b>HL Stand AC230V±10%</b>
61512	<b>Cabinet Stand</b> *except for U.S.

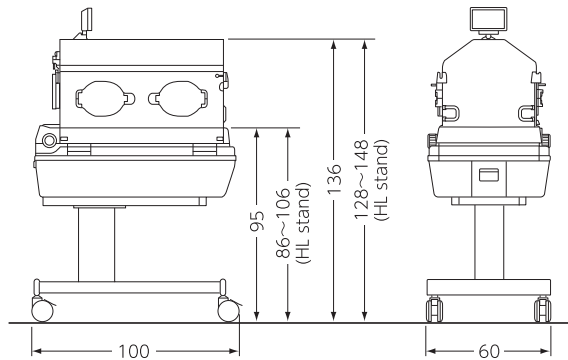
## Specifications

Power requirements	Main body:Customer specified Power consumption:600VA Frequency:50/60Hz HL stand:Customer specified Power consumption:120VA Frequency:50/60Hz
Classification	Class I, Type BF
Temperature control	Skin temperature setting range:34.0~37.5 °C/93.2~99.5°F (servo control) 37.6~38.0°C/99.7~100.4°F (over ride) Skin temperature display range:30.0~42.0°C/86~107.6°F Incubator air temperature setting range:23.0~37.0°C/73.4~98.6°F (manual control) 37.1~39.0°C/98.8~102.2°F (over ride) Incubator air temperature display range:20.0~42.0°C/68~107.6°F Heater output:0~100% (in 10 levels) Alarms:high temperature, set temperature, skin temperature probe
Humidity control	Relative humidity setting range:40~95%Rh Relative humidity display range:15~99%Rh Maximum relative humidity:≥90%Rh Alarms:Humidity sensor, low water level, no water, humidity chamber off, set humidity
Air velocity	10cm/s or below
Noise level	Approx. 41dBA (without humidification) Approx. 44dBA (with humidification)
Mattress tilting range	13°
External display	LED
Dimensions	Main body (with the HL stand):100(W)×60(D)×128~148(H)cm (excluding the display) Mattress surface:86~106cm in height Main body (with the Fixed-height stand):100(W)×60(D)×136(H)cm (excluding the display) Mattress surface:95cm Main body (with the Cabinet stand):100(W)×58(D)×136(H)cm (excluding the display) Mattress surface:95cm External display:18(W)×6(D)×11(H)cm Mattress:65(W)× 36.5(D)×2(T)cm
Weight	HL stand:Approx. 90kg (main body:approx. 50kg) Fixed stand:Approx. 80kg (main body:approx. 50kg) Cabinet stand:Approx. 77kg (main body:approx. 50kg)
Accessories	Skin Temp Probe, 5mm O.D (Y) .....1 Access Port Cover .....2 Pneumoclean .....1 Dust Cover .....1 Operation Manual .....1

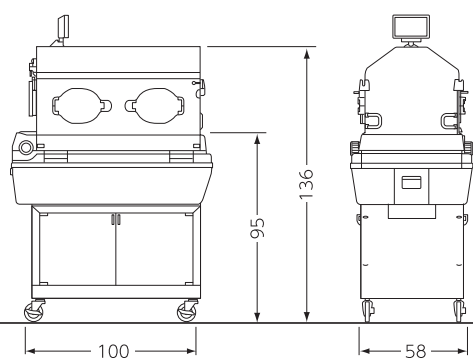
### Dimensional drawing

Unit:cm

#### •Fixed Stand/HL Stand



#### •Cabinet Stand



Atom Medical Corporation maintains a continuing product improvement program, and therefore the equipment actually purchased and received may differ in specifications and/or configuration from that shown in the catalog.

E1108



medical  
sales &  
service



**A:** 38 Hector Street OSBORNE PARK WA 6017

**T:** 08 9361 0843 | **F:** 08 9470 3647

**E:** medsales@medsales.com.au | **W:** www.medsales.com.au