

Nimble

Innovate the ordinary



Blue Shoes Stainless Steel Collection

Blue Shoes Stainless Steel Collection

A curated group of products that are essential to the operation of healthcare facilities. Designed to look good, function better and make the day of the end user just that little bit brighter each time they use them.

At Nimble we have focused on the little design areas that can make a big difference. We listened when people said mobility is key. So we made an effort to find a castor that provides extra strength and smooth maneuverability - the fact that it looks great is that added Nimble touch.

We recognised that we can bring some of the functionality from the products we use at home back into the workplace; hence the soft close drawers on all our trolleys and smooth double folded edges. We also know that the environment in which this product is used needs to be clean and often sterile; hence the addition of full welded seams to ensure there are not any gaps for dust and bacteria to be trapped.

The Nimble Blue Shoes Stainless Steel collection is one that will deliver a better experience to healthcare professionals all around the world.



Stand out from the crowd features



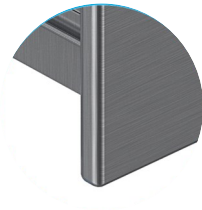
Nimble Blue Shoes

Smooth gliding rubber wheels. Providing maximum mobility and a better user experience.



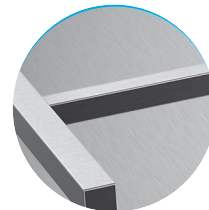
Full Welded Caps

Full weld seams and caps ensure a smooth finish with no gaps which reduces entrapment of bacteria.



Folded Edges

Present on all drawers, shelves and edges of the trolley - the smooth fold allows for safe handling.



Solid Underbracing

Full length underbracing on the underside of the trolley provides maximum stability and strength.



Drawer Runners

Soft-closing drawer runners, full extension and easy glide system.




Stainless Steel Construction


304 grade stainless steel provides a smooth satin finish.

The collection


DRESSING TROLLEYS

NO RAILS	SIZE	CASTORS	CODE
	490x490x900mm	75mm	DT1000
	600x490x900mm	75mm	DT2000
	750x490x900mm	100mm	DT3000
	800x490x900mm	100mm	DT4000
	900x490x900mm	100mm	DT5000
	1000x600x900mm	100mm	DT6000

ANAESTHETIC TROLLEYS

DRAWERS	SIZE	CASTORS	CODE
	4 x 125mm DRAWERS 490x490x970mm	100mm	IT1400
	600x490x970mm	100mm	IT2400
	750x490x970mm	100mm	IT3400

INSTRUMENT TROLLEYS WITH RAILS



3 SIDE RAILS	SIZE	CASTORS	CODE
	490x490x970mm	75mm	IT1000
	600x490x970mm	75mm	IT2000
	750x490x970mm	100mm	IT3000
	800x490x970mm	100mm	IT4000
	900x490x970mm	100mm	IT5000
	1000x600x970mm	100mm	IT6000
	1000x490x970mm	100mm	IT6010
	1200x600x970mm	100mm	IT8010

RESUSCITATION TROLLEYS

RAILS & DRAWERS	SIZE	CASTORS	CODE
6 x 125mm HALF SIZE 1 x 250mm FULL SIZE	750x490x970mm	100mm	RT3761



INSTRUMENT TROLLEYS WITH DRAWERS

DRAWERS	SIZE	CASTORS	CODE
	1 x 125mm DRAWER 490x490x970mm	100mm	IT1100
	600x490x970mm	100mm	IT2100
	750x490x970mm	100mm	IT3100
	800x490x970mm	100mm	IT4100
	2 x 125mm DRAWER 490x490x970mm	100mm	IT1200
	600x490x970mm	100mm	IT2200
	750x490x970mm	100mm	IT3200
	800x490x970mm	100mm	IT4200
	900x490x970mm	100mm	IT5200
3 x 125mm DRAWER	490x490x970mm	100mm	IT1300





MEDICAL TABLES & TROLLEYS

MEDICAL TABLES	SIZE	CASTORS	CODE
ARM TABLE	760x450x800mm	75mm	AT1000
			
MAYO TABLE	Tray Size 560x410 Height 820-1120mm	2 x 75mm	MT1000
	Tray Size 560x410 Height 820-1120mm	4 x 75mm	MT2000
PLASTER TROLLEY	900x490x900mm	100mm	PT5202
			

LINEN SKIPS

FRAME ONLY	SIZE	CASTORS	CODE
SINGLE	380x540x850mm	75mm	LS1000
			
DOUBLE	760x540x850mm	75mm	LS2000
			
LID & FOOT CONTROL	SIZE	CASTORS	CODE
SINGLE	380x540x850mm	75mm	LS1001
			
DOUBLE	760x540x850mm	75mm	LS2001
			

STAINLESS STEEL EQUIPMENT

MISC EQUIPMENT	SIZE	CASTORS	CODE
DRYING RACK	1200x490x1500mm	75mm	DR1000
			
BOWL STAND	400x400x910mm	75mm	BS1001
			
KICK BUCKET	360mm Diameter	75mm	KB1000
			
IV POLE 2 PRONG	1300-2100mm Height	75mm	IVP2000
IV POLE 4 PRONG	1300-2100mm Height	75mm	IVP4000
			

Stainless Steel Accessories

Enhance your trolley, creating customised solutions specific to your needs.



Oxygen Bottle Holder & Clamp



Wire Basket



Bucket & Clamp



Drop Down Work Surface



4 Prong IV Pole & Clamp



Push Handle

Nimble
Innovate the ordinary

M+ medical
sales &
service