



Neo Cot

Infant Bassinet



medical
sales &
service

Enhance Bonding in The First Days of Life.



Neo Cot
A bassinet that is configurable
for multiple care areas.

- ◆ Configurable for multiple care areas
Postpartum, nursery and NICU
- ◆ Supports maternal bonding
- ◆ Clean, simple design
- ◆ Infection Control (plastic vs. wood and metal)
- ◆ Safety (trans. Cot locks into place)
- ◆ Mobility (Heavy wooden designs
cumbersome to move)



24.5 in. to 32.5 in.



0-12°

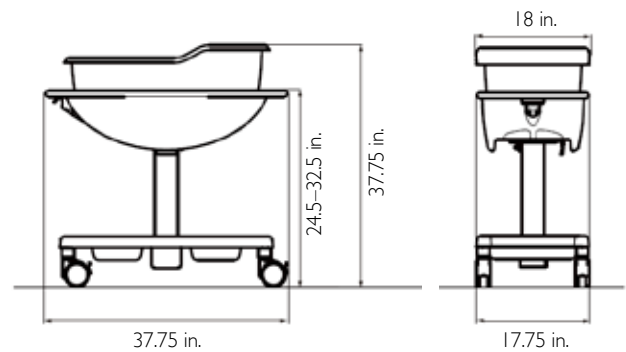
Neo Cot offers a host of innovative design features

- ◆ **Telescoping pedestal**
raises bassinet from bedside to staffside (24.5 in. to 32.5 in.).
- ◆ **Large clear tilting bassinet**
provides full view of infant, easy to clean surface and smoothly tilts from 0-12°.
- ◆ **4-wheel locking casters** enhance stability of the cot during mother and staff access to infant.

Accessories



Streamlined design maximizes precious workspace.



Specifications

Type	NeoCot HL Stand
Product Code	26408
Tilting Angle	0° to 12°
Caster	10 cm Diameter (Dual caster w/stopper)
Load Capacity	10 kg (on mattress)
Weight	Approximately 27 kg
Dimensions	W37.75 x D17.75 x H24.5 – 32.5 in

Part Numbers

Neo Cot HL Stand	26408
I.V. Pole	26113
Mattress, Blue	BC-BASS-1327-GLX-VII
Drawer	26114
Basket	26117
Mattress Sheet	26122
Cylinder Rack	2641120
Neo Shade	26123