

Atom Transcapsule® Model V-808

Transport Incubator



A stable nursing environment can be maintained in a variety of transport situations.



V-808

Transcapsule®

A stable nursing environment can be maintained even when the ambient temperature is 0°C. Three different kinds of power sources are available to cope with a road ambulance. With the SpO₂ feature, the skin temperature monitor and the incorporated oxygen monitor, the V-808 supports the emergency medical care of neonates with its complete functions and reliable safety.

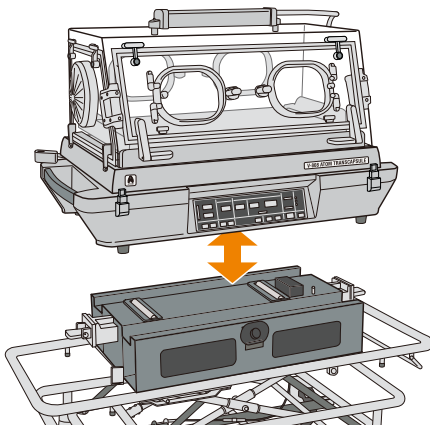
The head-end admittance panel and the front and rear snap-open access ports

In addition to the front admittance panel, the head-end admittance panel is also provided to withdraw the infant for speedy intubation and other procedures. The front and rear snap-open access ports and the head-end iris port are functionally useful in neonatal care and treatment.



The separable main unit for increased mobility

The main unit, which contains a sub-battery ensuring more than fifteen minutes' operation, is separable from the main battery. When separated, the main unit weighing approx. 34kg, is conveniently used to transport the infant easily up and down the stairs or through a small space. The stand, equipped with a gas spring, is vertically and smoothly adjustable and can be fixed at any height within the range of 32-61cm.



The different kinds of power sources to cope with various transport settings

Three different kinds of power sources are available depending on different transport settings: the AC power source, the internal battery, and the external DC power source (DC12V/DC24V). Conforming to EMC standards and provided with measures against electromagnetic interference, the V-808 can cope with various transport settings.

The double-wall hood for a stable nursing environment

The double-wall hood minimizes the infant's radiant heat loss. In addition, the powerful capability of thermal maintenance and the precise temperature control system maintain the incubator air temperature at 34°C even when the ambient temperature is 0°C.

The built-in pulse oximeter Masimo SET®

The built-in pulse oximeter monitors SpO₂ accurately by eliminating noise generated by the infant's movement. Stable monitoring is ensured even when signals are weak due to poor circulation.

The temperature monitor and the oxygen monitor provided as standard equipment

The infant's skin temperature and the oxygen concentration in the incubator are digitally displayed to help optimal skin temperature control and very precise oxygen administration.



The light and clear 1500-lux lamp

The fluorescent lamp, which provides enough clear light for observation and treatment even at night or in the dark, enables the medical staff to observe the infant's skin color as if in natural light.



The low-resilience mattress

The low-resilience mattress, which disperses the infant's body pressure effectively, reduces vibration to the infant. Additionally, the operating noise of the incubator has been reduced to decrease acoustic stress to the infant.

The electrostatic filter to maintain a clean environment

The electrostatic filter, which is superior in holding back solid substances, collects dust and other particles far more efficiently than any conventional air filter. It maintains a clean environment by purifying the air introduced into the incubator.

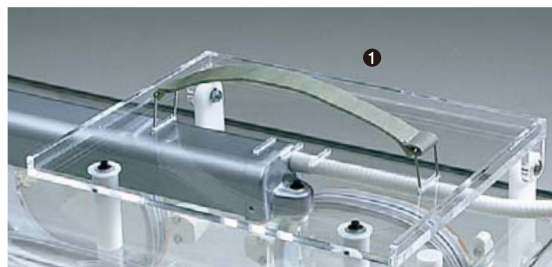
SPECIFICATIONS

Atom Transcapsule® Model V-808

Power requirements	AC power source : Customer-specified External DC power source : DC12V, 20A / DC24V, 10A		
Battery	Main battery : DC12V/48Ah Continuous operation with built-in battery : Approx.90min(Actual measurement : Approx. 4hrs with brand-new battery)* Built-in battery : DC12V/7.2Ah Continuous operation : Approx. 15min*		
Classification	Class I, Type BF		
Temperature control	Incubator air temperature setting range : 23.0-38.0°C Incubator air temperature display range : 20.0-42.0°C Skin temperature display range : 30.0-42.0°C Heat output : 0-100(10 steps) Alarms : High temperature, set point, power failure, fan, skin temperature probe, system failure		
Humidity supply	Max.humidity ≥ (at ambient humidity 50%RH, ambient temp. 25°C, incubator air temp. setting 34°C)		
Oxygen supply	Max.oxygen concentration : ≥ 60%(oxygen flow rate : 10L/min) Oxygen concentration display range : 15-105% Alarm : oxygen concentration limit, oxygen sensor		
Pulse oximeter	SpO ₂ display range : 1-100% (Accuracy±3%) Pulse rate display range : 25-240bpm(Accuracy±3bpm) Alarms : SpO ₂ limit, Pulse rate limit		
Caster	Antistatic caster : 4×12.5cm in diameter with stoppers		
Dimensions	Main unit : 98(W) × 49(D) × 76(H)cm Stand : 120(W) × 52(D) × 32-61(H)cm Mattress : 62(W) × 33(D) × 3(T)cm		
Weight	Main body : Approx.34kg Mount : Approx.30kg Stand : Approx.26kg		
Accessories	I.V pole(weight limit : Approx. 3kg) 1	Infant fixing band 3	Patient cable (1.6m) for pulse oximeter 1
	Dust cover 1	Filter Element E 1	Operation Manual 1
	Semi-Iris Access Port Cover 4	Skin Temp Probe, 5mm O.D.(Y) 1	
	Access port Cover 1	Oxygen Sensor 1	

*at ambient temp.15°C, incubator air temp. stable at 36°C with fully-charged battery

Option & Supplies



- ① Atom's code 60308 **Monitor Table with fixing belt For V-808**
*Monitor Table is unable to be equipped later on, therefore, please place an order simultaneously with V-808.
- ② Atom's code 60306 **MF-Rail, 7cm Pole mounting type**
- ③ Atom's code 60307 **Multi-Purpose Pole For V-808 weight limit : 8kg**
- ④ Atom's code 60845 **OX-102 Portable Oxygen Cylinder, 150 Liters (Empty) For V-808/V-707**
- ⑤ Atom's code 60315 **Holder for 150 Liters Oxygen Cylinder (Pole Mount Type) For V-808/V-707**
- ⑥ Atom's code 61225 **Safety Flow OX-202**
- ⑦ Atom's code 61223 **Safety Flow OX-245 O₂ Flowmeter For V-808/V-707 (Rail Mounting Type)**
*OX-245 can be attached to V-808 only by using MF-Rail, 7cm (Atom's Code 60306)
- ⑧ Atom's code 61226 **Pressure Regulator OX-231**
Atom's code 61227 **Pressure Regulator OX-232**
- Atom's code 60861 **Semi-Iris Access Port Cover (20pcs/pkg)**
- Atom's code 60860 **Access Port Cover (20pcs/pkg)**
- Atom's code 60317 **Filter Element E (10pcs/pkg) For V-808/V-850TR/V-80TR**
- Atom's code 60883 **Skin Temp Probe, 5mm O.D.(Y)**
- Atom's code 60882 **Skin Temp Probe, 10mm O.D.(Y)**
- Atom's code 60884 **Dispo Skin Temp Probe (Y) (10pcs/pkg)**
- Atom's code 60885 **Connecting Cable (Y) For Dispo Skin Temp Probe**
- Atom's code 60305 **Oxygen Sensor For V-808**

※ About SpO₂ sensors and cables, please contact to the local distributor.

E1105