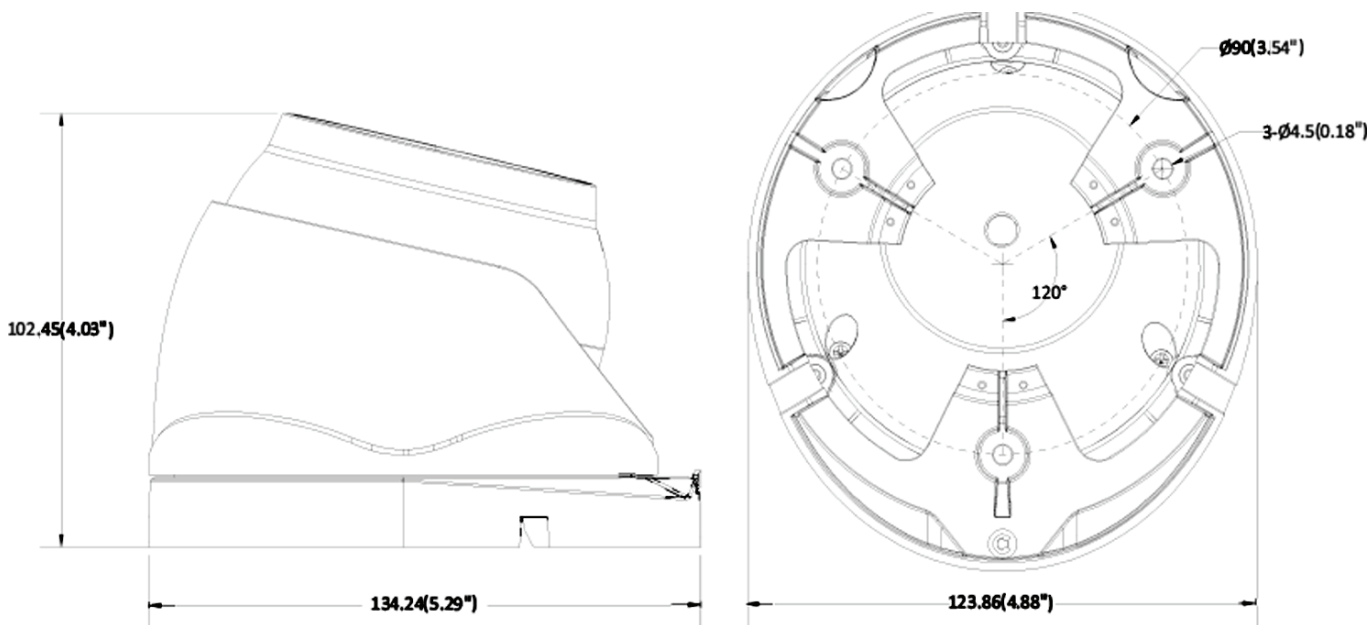


# Acegear CT1282WEX

- 2 MP High Resolution
- HD-TVI Technology
- True Day/Night
- 2.8 ~ 12mm VF Lens
- True WDR 120dB, Smart IR, 3D DNR
- EXIR Technology, up to 165ft. range
- Compatible with H.265+, H.265, H.264+, H.264 DVR
- IP66 Weatherproof
- Up to Coax OSD Control
- 12 VDC, 750mA



## Dimension



Camera	
Image Sensor	1/3" progressive scan CMOS
Signal System	NTSC
Effective Pixels	1920 x 1080
Minimum Illumination	0.014 lux @ (f/1.4, AGC on), 0 lux with IR
Shutter Speed	1/30 sec. to 1/50,000 sec.
Lens	2.8 mm to 12 mm, f/1.4 Angle of view: 92° to 32°
Lens Mount	φ14
Angle Adjustment	Pan: 0° to 360°, tilt: 0° to 90°, rotation: 0–° to 360°
Day/Night	IR cut filter
Wide Dynamic Range	120 dB
Synchronization	Internal synchronization
Video Frame Rate	1080p @ 25 fps/1080p @ 30 fps
HD Video Output	1 analog HD output
CVBS Output	1 V p-p composite output (75Ω/BNC)
S/N Ratio	More than 52 dB
Menu	
Scene	Indoor, outdoor, indoor1, LOW-LIGHT
Camera ID	On/off (15 characters, position programmable)
AGC	Supported
D/N Mode	Color/BW/EXT
White Balance	ATW, AWC-SET, indoor, outdoor, manual
Motion Detection	On/off, maximum 4 zones
Privacy Mask	8, selectable color or mosaic
BLC	Supported
Anti-Flicker	On/off
Functions	HSBLC (Eclipse), digital noise reduction, digital zoom (62x), slow shutter, mirror, defog, defect pixel correction, SMART D-ZOOM
General	
Working Temperature/ Humidity	-30° C to 60° C (-22° F to 140° F) Humidity 90% or less (non-condensing)
Power Supply	12 VDC
Power Consumption	Maximum 7 W
Weatherproof Rating	IP66
IR Range	Up to 50 m IR range
Communication	Up-the-Coax (UTC)
Dimensions	φ134.2 mm × 102.5 mm (φ5.3" × 4")
Weight	300 g (0.66 lb.)