

## Acegear CT3296D0T1 / 2 MP Camera



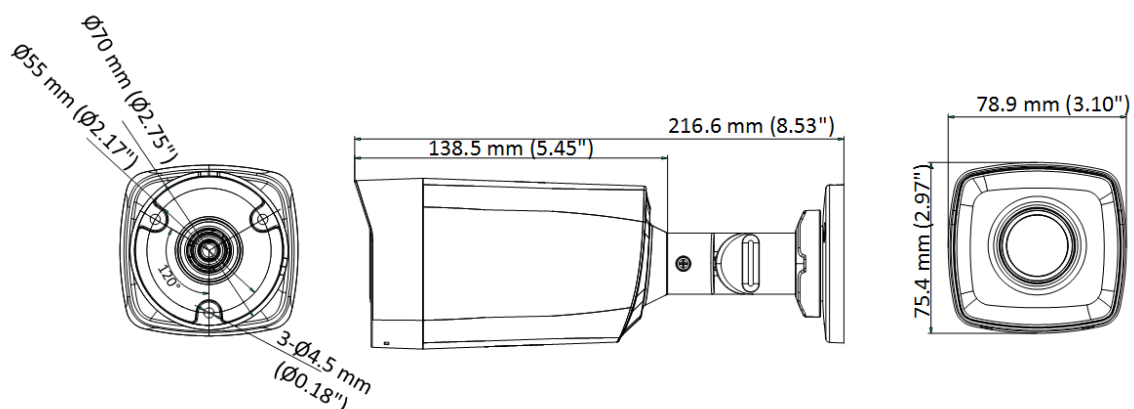
- High quality imaging with 2 MP, 1920 × 1080 resolution
- 2.8 mm, 3.6 mm, 6 mm fixed focal lens
- Up to 30 m IR distance for bright night imaging
- One port for four switchable signals (TVI/AHD/CVI/CVBS)
- Water and dust resistant (IP67)

Georgia.

## ▪ Specification

Camera	
Image Sensor	2 MP CMOS
Signal System	PAL/NTSC
Frame Rate	TVI: 1080P@30fps, 1080P@25fps CVI: 1080P@30fps, 1080P@25fps AHD: 1080P@30fps, 1080P@25fps CVBS: PAL/NTSC
Resolution	1920 (H) × 1080 (V)
Min. illumination	0.01 Lux @ (F1.2, AGC ON), 0 Lux with IR
Shutter Time	PAL: 1/25 s to 1/50,000 s NTSC: 1/30 s to 1/50,000 s
Lens	2.8 mm, 3.6 mm, 6 mm fixed lens
Horizontal Field of View	2.8 mm, horizontal FOV: 101°, vertical FOV: 60°, diagonal FOV: 122° 3.6 mm, horizontal FOV: 79.6°, vertical FOV: 43.5°, diagonal FOV: 93.7° 6 mm, horizontal FOV: 51.9°, vertical FOV: 30°, diagonal FOV: 58.8°
Lens Mount	M12
Day & Night	ICR
WDR (Wide Dynamic Range)	Digital WDR
Angle Adjustment	Pan: 0 to 360°, Tilt: 0 to 180°, Rotation: 0 to 360°
Menu	
Image Mode	STD/HIGH-SAT
AGC	Yes
Day/Night Mode	Auto/Color/BW (Black and White)
White Balance	Auto/Manual
AE (Auto Exposure) Mode	DWDR/BLC/HLC/Global
Language	English
Functions	Brightness, Sharpness, Smart IR
2D DNR	Yes
Interface	
Video Output	Switchable TVI/AHD/CVI/CVBS
General	
Operating Condition	-40 °C to 60 °C (-40 °F to 140 °F), humidity: 90% or less (non-condensation)
Power Supply	12 VDC ± 25%
Power Consumption	Max. 2.2 W
Protection Level	IP67
Material	Front Cover: Metal Main Body: Plastic
IR Range	Up to 30 m
Communication	HIKVISION-C
Dimensions	78.9 mm × 75.4 mm × 216.6 mm (3.10" × 2.97" × 8.53")
Weight	Approx. 320 g (0.71 lb.)

## ▪ Dimension



▪ **Accessory**

