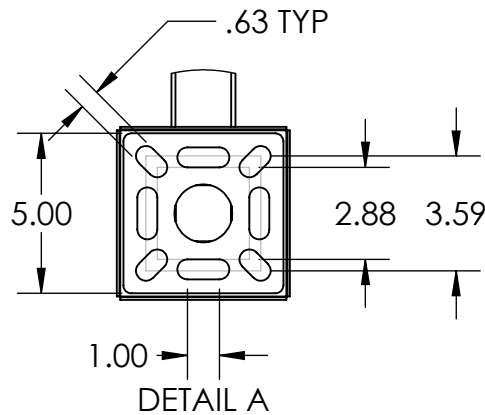
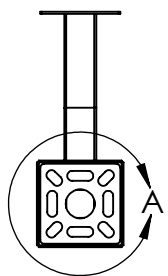
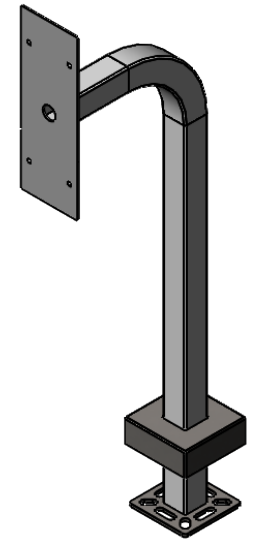
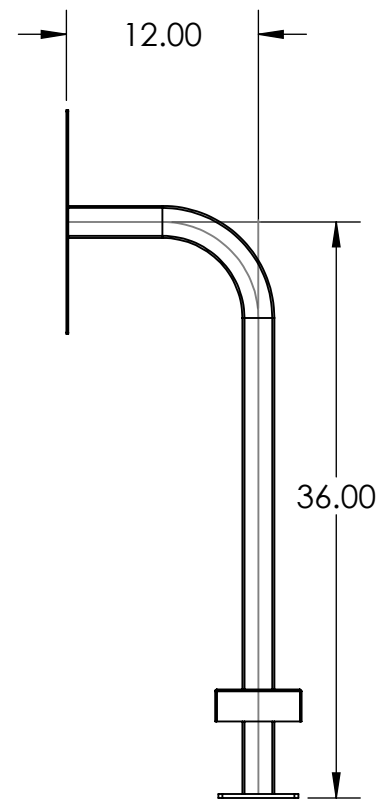
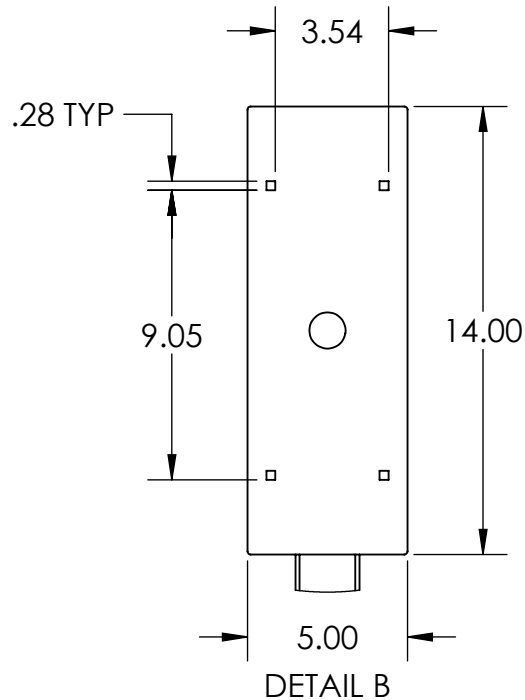
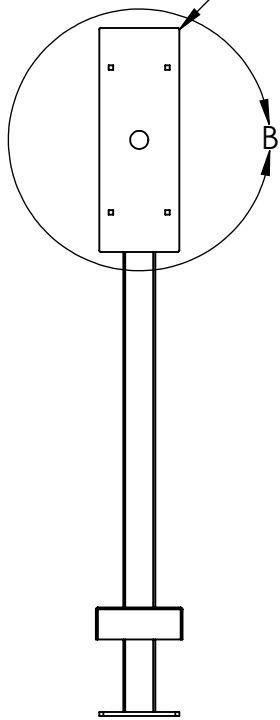


DOORBIRD D21DKV
SURFACE MOUNT



NOTES:
1. 2-4 MILS BLACK WRINKLE POWDER COAT.



PEDESTALPRO.COM
1-800-660-3072

UNLESS OTHERWISE SPECIFIED:

DIMENSIONS ARE IN INCHES
TOLERANCES:
FRACTIONAL $\pm 1/32$
ANGULAR: $\pm 2^\circ$
TWO PLACE DECIMAL ± 0.010
THREE PLACE DECIMAL ± 0.005

INTERPRET GEOMETRIC
TOLERANCING PER:
ASME Y14.5 -2009

| NAME | DATE |
|---------|------|
| DRAWN | |
| CHECKED | |

PROPRIETARY AND CONFIDENTIAL
THE INFORMATION CONTAINED IN THIS DRAWING IS THE SOLE PROPERTY OF PEDESTALPRO LLC. ANY REPRODUCTION IN PART OR AS A WHOLE WITHOUT THE WRITTEN PERMISSION OF PEDESTALPRO LLC IS PROHIBITED.

TITLE:
INSTALLATION

Monday, August 17,
2020 2:30:34 PM

WEIGHT: 14.655

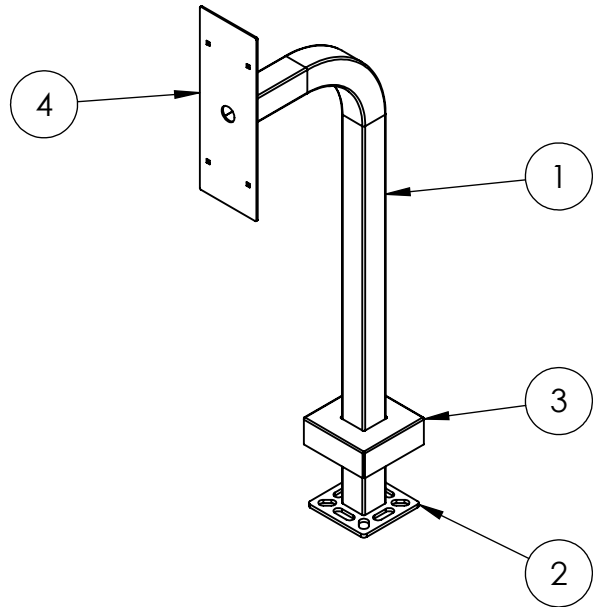
SIZE **A** PART NO.
22PE1-DOOR-04-CRS

REV
0

NO SCALE

SHEET 1 OF 3

| ITEM NO. | PART NUMBER | DESCRIPTION | QTY. |
|----------|-------------------|-----------------------------------|------|
| 1 | 22PE1-DOOR-04-CRS | 2 X 2 MILD STEEL TUBE | 1 |
| 2 | PLTBAS-5-2 | 5" STANDARD BASE PLATE | 1 |
| 3 | PLTCOV-5-2 | 5" STANDARD COVER PLATE | 1 |
| 4 | PLTFAC-514-2 | DOORBIRD D21DKV FACE PLATE | 1 |
| 5 | -- | 1/4-20 X .5 ZINC PL CARRIAGE BOLT | 4 |
| 6 | -- | 1/4-20 ZINC PL HEX NUT | 4 |



NOTES:

1. SEE STANDARD PREPARATION AND COATING INSTRUCTIONS FOR COATING PROCEDURE AND COLOR.
2. SEE STANDARD PACKAGING INSTRUCTIONS FOR PACKAGING PROCEDURE.



PEDESTALPRO.COM
1-800-660-3072

UNLESS OTHERWISE SPECIFIED:

DIMENSIONS ARE IN INCHES
TOLERANCES:
FRACTIONAL $\pm 1/32$
ANGULAR: $\pm 2^\circ$
TWO PLACE DECIMAL ± 0.010
THREE PLACE DECIMAL ± 0.005

INTERPRET GEOMETRIC
TOLERANCING PER:
ASME Y14.5 -2009

| NAME | DATE |
|---------|------|
| DRAWN | |
| CHECKED | |

PROPRIETARY AND CONFIDENTIAL
THE INFORMATION CONTAINED IN THIS DRAWING IS THE SOLE PROPERTY OF PEDESTALPRO LLC. ANY REPRODUCTION IN PART OR AS A WHOLE WITHOUT THE WRITTEN PERMISSION OF PEDESTALPRO LLC IS PROHIBITED.

TITLE:
ASSEMBLY

Monday, August 17,
2020 2:30:34 PM

WEIGHT: 14.655

| SIZE | PART NO. | REV |
|----------|-------------------|----------|
| A | 22PE1-DOOR-04-CRS | 0 |

NO SCALE

SHEET 2 OF 3