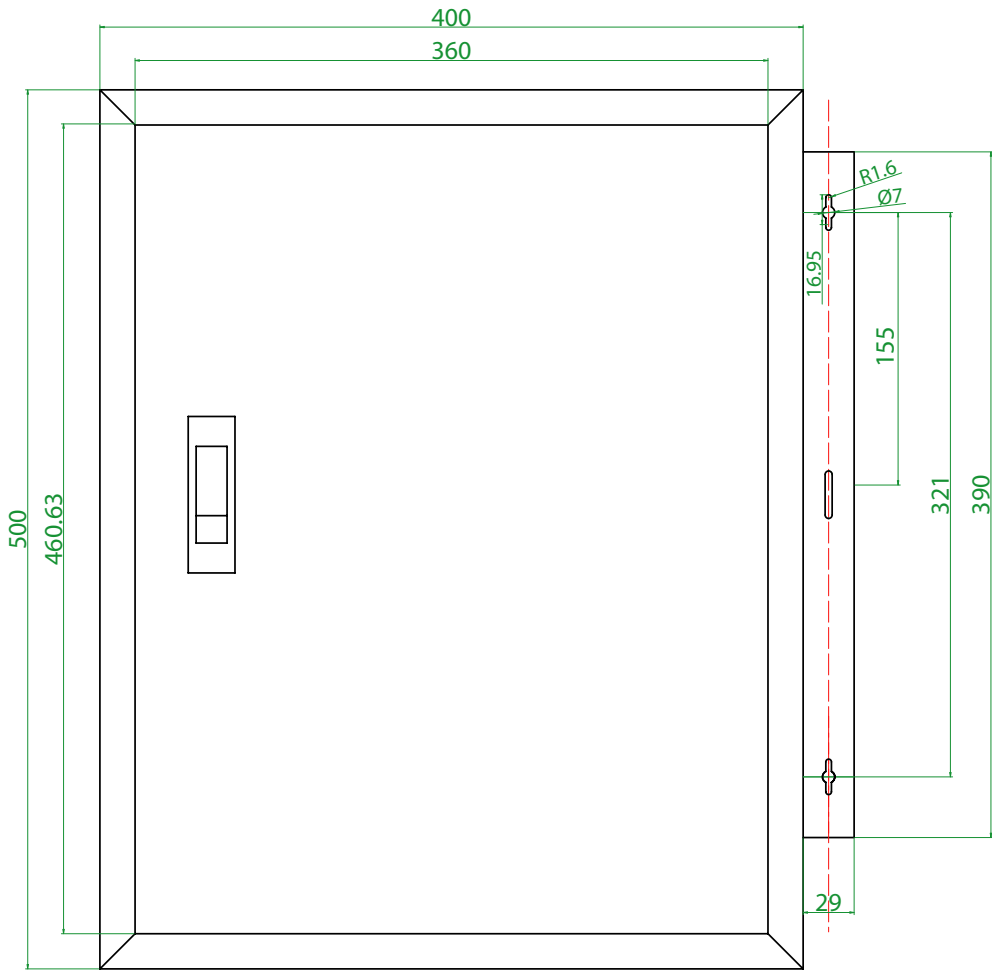


ISSUE	REVISED	DATE
△		
△		
△		



- Accessories:**
1. Plastic Gourmets
 2. Mounting Brackets
 3. Screws

DESCRIPTION : DCSP18LUL (.10687) 18" Distribution Panel with Latch

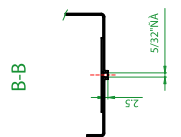
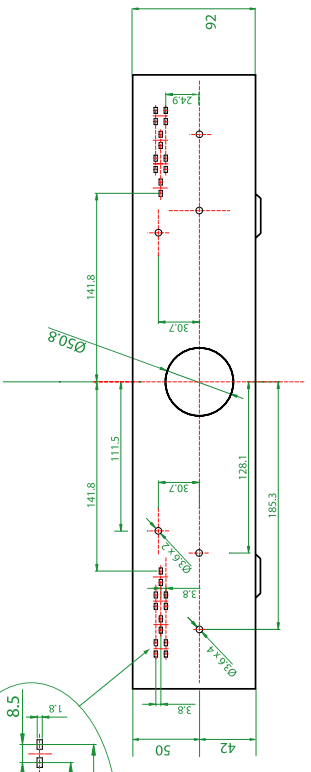
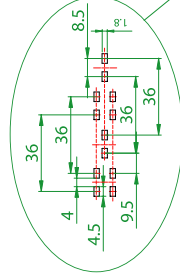
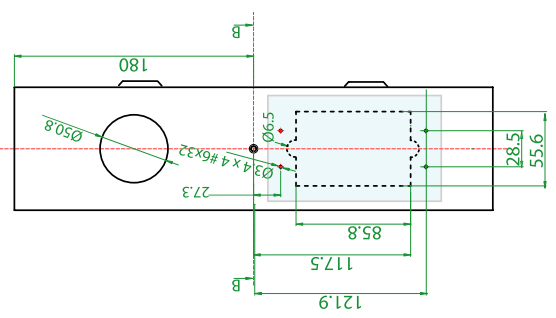
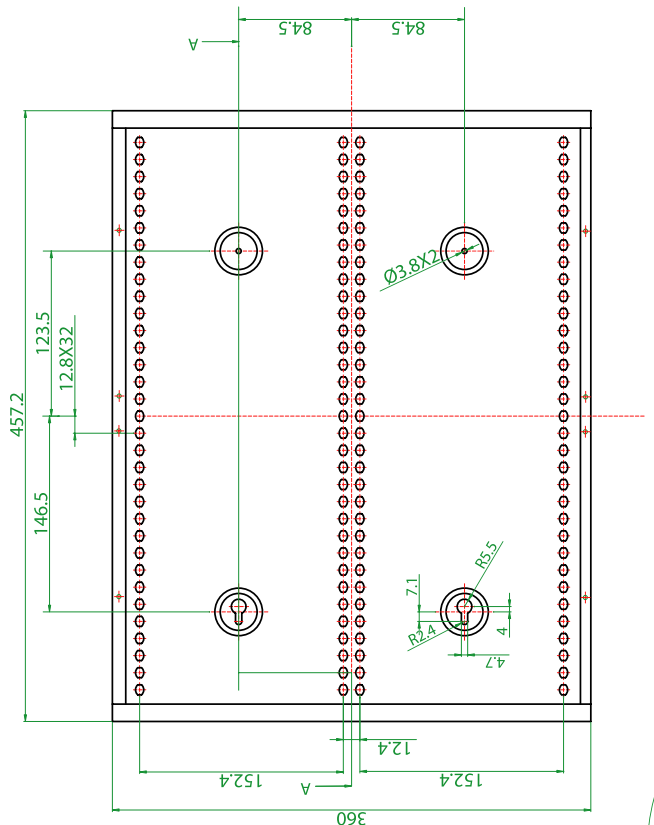
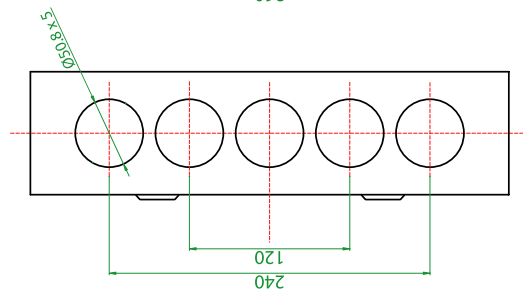
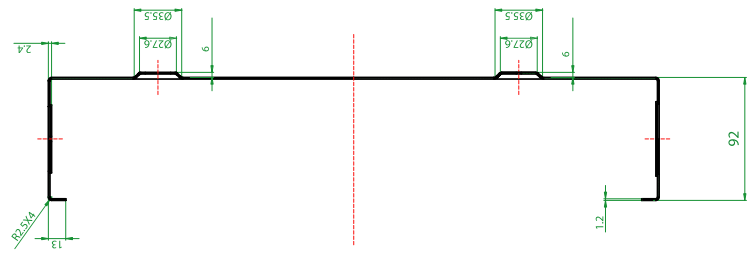
DATE	04/08/05	SCALE	ISSUE:	1.01	SHEET	1 OF 2	DWG No.	10687
SIZE		DRAWN						
UNIT	mm	AFRD.						
			CUSTOMER:					

THESE DRAWINGS AND SPECIFICATIONS ARE THE PROPERTY OF DirectConnect® AND SHALL NOT BE REPRODUCED, COPIED OR USED IN ANY MANNER WITHOUT THE PRIOR WRITTEN CONSENT OF DirectConnect®.



DIM	TOLERANCE
0-3	±0.05
3-20	±0.1
20-50	±0.2
50-100	±0.5

ISSUE	REVISED	DATE
△		
△		
△		



THESE DRAWINGS AND SPECIFICATIONS ARE THE PROPERTY OF DirectConnect® AND SHALL NOT BE REPRODUCED, COPIED OR USED IN ANY MANNER WITHOUT THE PRIOR WRITTEN CONSENT OF DirectConnect®.



DESCRIPTION : DCSP18LUL (.10687) 18" Distribution Panel with Latch

DATE	SCALE	ISSUE	SHEET	OF	TOLERANCE
04/08/05	1:1	1.01	2	2	0-3 ±0.05
					3-20 ±0.1
					20-50 ±0.2
					50-100 ±0.5

SIZE	UNIT	DRAWN	APRD.	CUSTOMER:
	mm			

DWG No. 10687