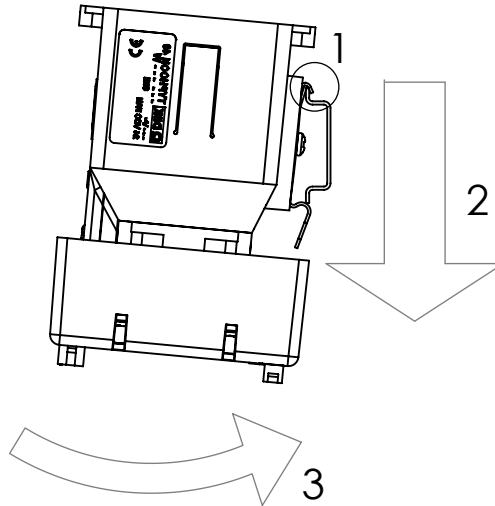


# Mounting and Demounting DBK Typhoon heater from standard EN60715 DIN rail brackets

## Mounting

- 1) Hang up at the top
- 2) Pull downwards
- 3) Lock into place at the bottom



## Demounting

- 1) Pull Downwards
- 2) Demount in a slanted manner

