

Nimbus Series



Nimbus NG



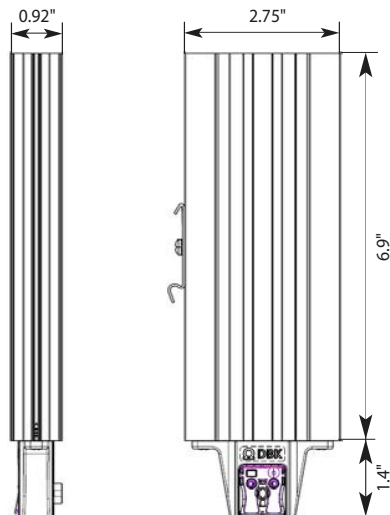
Design Characteristics

- Lightweight and compact
- High power density
- Optional finger guard
- Anodized aluminum extrusion
- Highly effective with low material usage

DBK's knowledge of thermal management gives us the experience to guide and support you with your technical challenges - we can manage the complete project from concept to full production release.

Nimbus NG		100	125	150	175	240
Power output at 10°C / 50°F	[W]	100	125	150	175	240
Power output at -25°C / -13°F	[W]	125	140	175	190	260
Voltage range	[V]	100 - 240, AC/DC				
Inrush current at 115V	[A]	2.5	3.0	4.0	7.0	6.5
Inrush current at 230V	[A]	5.5	5.5	8.0	13.5	14.0
Protection class		II				
Degree of protection		IP20				
Connection		Terminal block				
Fixing		DIN Clip for 35mm rail EN 50022				
Dimensions	L x W [mm / "]	210.5 x 70 / 8.3 x 2.75				
Dimensions	H [mm / "]	23.4 / 0.92				46.8 / 1.84
Weight total (approx.)	[kg / oz]	0.33 / 11.7				0.65 / 23
Touch protection available		Yes				No
Recommended fuse	115V [A]	4.0	4.0	4.0	6.0	6.0
(time-delay)	230V [A]	6.0	6.0	8.0	10.0	10.0

Construction Drawing



Matching Accessories:

- Thermostats (FGT101, FGT201)
- Dualstat (FGDT Series)



Nimbus B



Features

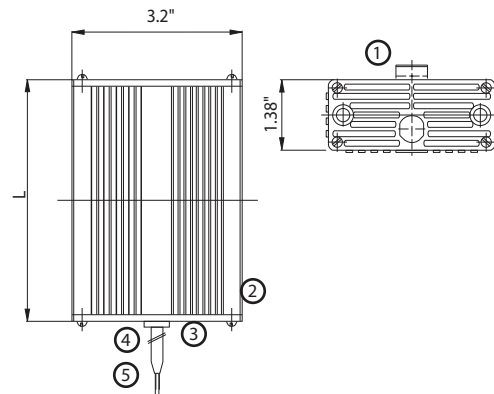
- Thermal separation of the PTC heater from the external profile (patented)
- Limited external profile temperature
- Optimal convection

DBK's knowledge of thermal management gives us the experience to guide and support you with your technical challenges - we can manage the complete project from concept to full production release.

Nimbus B	90		120		150		200	
Rated power at 10°C / 50°F [W]	30	50	40	60	50	75	80	100
External profile temp. (approx.) [°C / °F]	70 / 158	90 / 194	80 / 176	90 / 194	80 / 176	100 / 212	80 / 176	100 / 212
Voltage range	110 - 240 V, AC/DC							
Protection class	II							
System of protection	IP20							
Connection cable 2 x 0.5 mm ² , silicone	500 mm / 19.7" long							
Fixing	DIN Clip for 35 mm rail EN50022							
Approvals	VDE, UL, CE							
Dimensions L [mm / "]	90 / 3.54		120 / 4.7		150 / 5.9		200 / 7.87	
W x H [mm / "]	82 x 35 / 3.2 x 1.38							
Weight [kg / oz]	0.29 / 10.2		0.38 / 13.4		0.48 / 16.9		0.64 / 22.6	
Recommended fuse (time-delay)	240 V 110 V	4A 2A	6.3A 4A	4A 2A	6.3A 4A	4A 2A	6.3A 4A	6.3A 6.3A

Ordering Example: Nimbus B 120, 40 W, 110-240 V. Special design 12 - 24 V.

Construction Drawing



- ① Fixing clip for 35 mm DIN top hat rail EN50022
- ② Aluminum profile
- ③ Cover plate
- ④ Strain relief
- ⑤ Silicone cable 2 x 0.5 mm² (20awg)



Matching Accessories:

- Thermostats (FGT101, FGT201)
- Dualstat (FGDT Series)



Nimbus D



Features

- Rugged aluminum extrusion profile
- Compact design with high power density
- Safety by temperature limitation
- Fixing clip can be mounted either at the wide side or at the narrow side. (See position 1 on the drawing below)

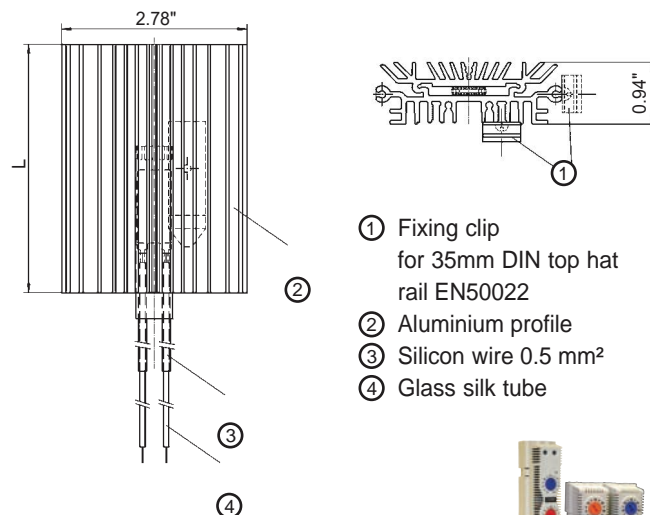
DBK's knowledge of thermal management gives us the experience to guide and support you with your technical challenges - we can manage the complete project from concept to full production release.

Nimbus D	65		95		125		175			
Rated power at 10°C / 50°F [W]	30	50	40	60	50	75	80	100		
External profile temp. (approx.) [°C / °F]	130 / 266	205 / 401	135 / 275	205 / 401	160 / 320	190 / 374	190 / 374	200 / 392		
Voltage range	110 - 240 V, AC/DC									
Protection class	II									
System of protection	IP 20									
Connection wires 2 x 0.5 mm ² , silicone	500 mm / 19.7" long									
Fixing	DIN Clip for 35 mm rail EN50022									
Approvals	UL, CE									
Dimensions	L [mm / "]		95 / 3.74		125 / 4.92		175 / 6.89			
	W x H [mm / "]		70.7 x 24 / 2.78 x 0.94							
Weight	[kg / oz]		0.13 / 4.6	0.14 / 4.94	0.18 / 6.35	0.19 / 6.7	0.23 / 8.1	0.24 / 8.5	0.33 / 11.6	0.34 / 12
Recommended fuse (time-delay)	240V		4A	6.3A	4A	6.3A	4A	6.3A	6.3A	6.3A
	110 V		2A	4A	2A	4A	2A	4A	4A	6.3A

Ordering Example: Nimbus D 95, 40 W, 110-240 V

Special design 12 - 24 V.

Construction Drawing



- ① Fixing clip for 35mm DIN top hat rail EN50022
- ② Aluminium profile
- ③ Silicon wire 0.5 mm²
- ④ Glass silk tube

Matching Accessories:

- Thermostats (FGT101, FGT201)
- Dualstat (FGDT Series)



Nimbus E



Features

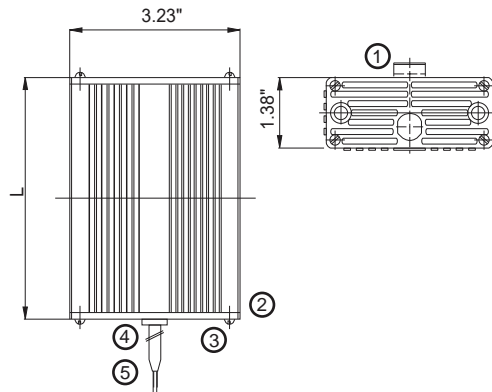
- Optimum Convection
- High power density

DBK's knowledge of thermal management gives us the experience to guide and support you with your technical challenges - we can manage the complete project from concept to full production release.

Nimbus E	90	120	150	200
Rated power at 10°C / 50°F [W]	80	100	120	150
External profile temp. (approx.) [°C / °F]	120 / 248	130 / 266	130 / 266	130 / 266
Voltage range	110 - 240 V, AC/DC			
Protection class	II			
System of protection	IP20			
Connection cable 2 x 0.5 mm ² , silicone	500 mm / 19.7" long			
Fixing	DIN Clip for 35 mm rail EN50022			
Approvals	VDE, UL, CE			
Dimensions L [mm / "]	90 / 3.54	120 / 4.7	150 / 5.9	200 / 7.87
Dimensions W x H [mm / "]	82 x 35 / 3.23 x 1.38			
Weight [kg / oz]	0.3 / 10.6	0.4 / 14.1	0.49 / 17.3	0.65 / 22.9
Recommended fuse (time-delay)	240 V	6.3A	6.3A	6.3A
	110 V	4A	4A	6.3A

Ordering Example: Nimbus E 90, 80W, 110-240 V. Special design 12 - 24 V.

Construction Drawing



- ① Fixing clip for 35mm DIN top hat rail EN50022
- ② Aluminum profile
- ③ Cover plate
- ④ Strain relief
- ⑤ Silicone cable 2 x 0.5 mm² (20awg)

Matching Accessories:



- Thermostats (FGT101, FGT201)
- Dualstat (FGDT Series)



HP13 long profile



Features

- Flat design
- Large contact surface
- The max. achievable power results from a direct screw fixing to an assembly plate

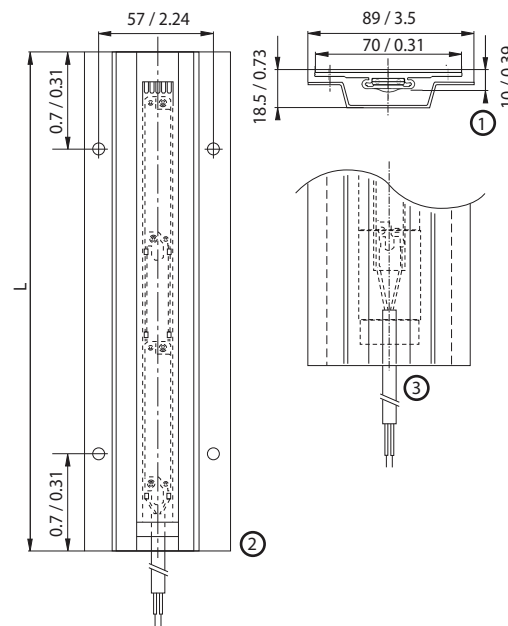
DBK's knowledge of thermal management gives us the experience to guide and support you with your technical challenges - we can manage the complete project from concept to full production release.

HP13 4/22	250	340	400
Rated power at 10°C / 50°F (free in air) [W]	70	95	110
Profile temperature (approx.) [°C / °F]	200 / 392		
Max. achievable power with good thermal contact [W]	250	280	300
Voltage range [V]	110 - 240, AC/DC		
Protection class	II		
Degree of protection	IP 20		
Connection cable 2 x 0.75 mm ² , silicone	500 mm / 19.7" long		
Fixing	Fixing holes		
Approvals	UL, CE		
Dimensions L [mm / "]	250 / 9.84	340 / 13.39	400 / 15.75
W x H [mm / "]	70 x 18 / 2.76 x 0.71		
Weight [kg / oz]	0.2 / 7.05	0.31 / 10.93	0.38 / 13.4
Recommended fuse (time delay)	240 V 110 V	10A 6.3A	10A 6.3A

Ordering Example: HP13 4/22 - 250 - 100-240V

Special designs are possible on request. For example: 12-24V or 400V. Touch protection optional.

Construction Drawing



- ① Cross section with optional touch protection*
- ② Aluminum profile without touch protection
- ③ Silicone cable 2 x 0.75 mm

*Touch protection mounted to the heater with a spacer of min. 5mm to reduce surface temperature

