

**HP13 long profile**



**Features**

- Flat design
- Large contact surface
- The max. achievable power results from a direct screw fixing to an assembly plate

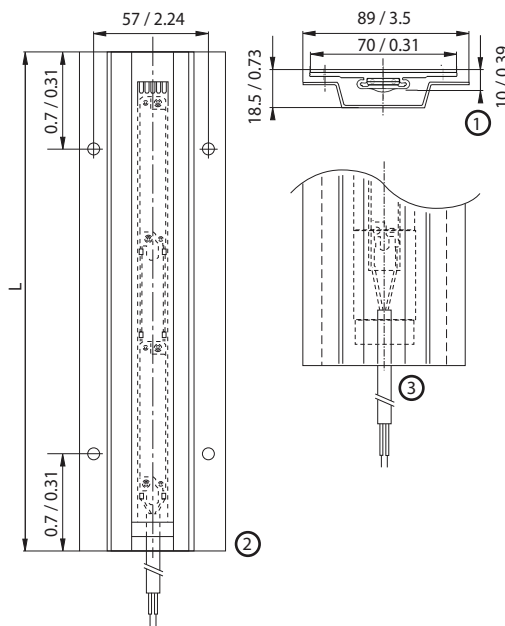
DBK's knowledge of thermal management gives us the experience to guide and support you with your technical challenges - we can manage the complete project from concept to full production release.

HP13 4/22	250	340	400
Rated power at 10°C / 50°F (free in air) [W]	70	95	110
Profile temperature (approx.) [°C / °F]	200 / 392		
Max. achievable power with good thermal contact [W]	250	280	300
Voltage range [V]	110 - 240, AC/DC		
Protection class	II		
Degree of protection	IP 20		
Connection cable 2 x 0.75 mm <sup>2</sup> , silicone	500 mm / 19.7" long		
Fixing	Fixing holes		
Approvals	UL, CE		
Dimensions L [mm / "]	250 / 9.84	340 / 13.39	400 / 15.75
W x H [mm / "]	70 x 18 / 2.76 x 0.71		
Weight [kg / oz]	0.2 / 7.05	0.31 / 10.93	0.38 / 13.4
Recommended fuse (time delay)	240 V 110 V	10A 6.3A	10A 6.3A

**Ordering Example: HP13 4/22 - 250 - 100-240V**

Special designs are possible on request. For example: 12-24V or 400V. Touch protection optional.

**Construction Drawing**



- ① Cross section with optional touch protection\*
- ② Aluminum profile without touch protection
- ③ Silicone cable 2 x 0.75 mm

\*Touch protection mounted to the heater with a spacer of min. 5mm to reduce surface temperature

