

**Nimbus E**



**Features**

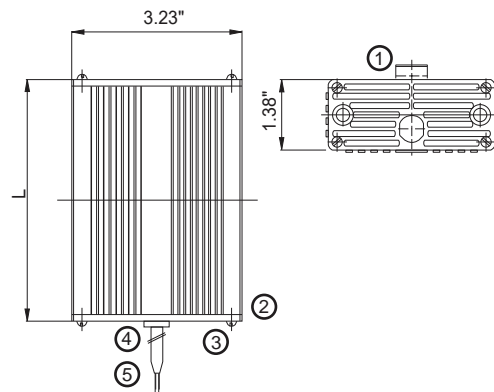
- Optimum Convection
- High power density

DBK's knowledge of thermal management gives us the experience to guide and support you with your technical challenges - we can manage the complete project from concept to full production release.

Nimbus E	90	120	150	200
Rated power at 10°C / 50°F [W]	80	100	120	150
External profile temp. (approx.) [°C / °F]	120 / 248	130 / 266	130 / 266	130 / 266
Voltage range	110 - 240 V, AC/DC			
Protection class	II			
System of protection	IP20			
Connection cable 2 x 0.5 mm <sup>2</sup> , silicone	500 mm / 19.7" long			
Fixing	DIN Clip for 35 mm rail EN50022			
Approvals	VDE, UL, CE			
Dimensions L [mm / "]	90 / 3.54	120 / 4.7	150 / 5.9	200 / 7.87
Dimensions W x H [mm / "]	82 x 35 / 3.23 x 1.38			
Weight [kg / oz]	0.3 / 10.6	0.4 / 14.1	0.49 / 17.3	0.65 / 22.9
Recommended fuse (time-delay)	240 V	6.3A	6.3A	6.3A
	110 V	4A	4A	6.3A

**Ordering Example: Nimbus E 90, 80W, 110-240V. Special design 12 - 24V.**

**Construction Drawing**



- ① Fixing clip for 35mm DIN top hat rail EN50022
- ② Aluminum profile
- ③ Cover plate
- ④ Strain relief
- ⑤ Silicone cable 2 x 0.5 mm<sup>2</sup> (20awg)

**Matching Accessories:**



- Thermostats (FGT101, FGT201)
- Dualstat (FGDT Series)

