

Nimbus D



Features

- Rugged aluminum extrusion profile
- Compact design with high power density
- Safety by temperature limitation
- Fixing clip can be mounted either at the wide side or at the narrow side. (See position 1 on the drawing below)

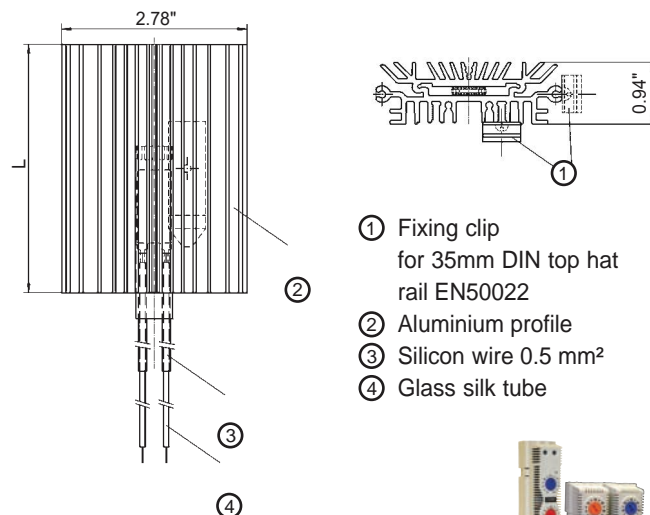
DBK's knowledge of thermal management gives us the experience to guide and support you with your technical challenges - we can manage the complete project from concept to full production release.

Nimbus D	65		95		125		175			
Rated power at 10°C / 50°F [W]	30	50	40	60	50	75	80	100		
External profile temp. (approx.) [°C / °F]	130 / 266	205 / 401	135 / 275	205 / 401	160 / 320	190 / 374	190 / 374	200 / 392		
Voltage range	110 - 240 V, AC/DC									
Protection class	II									
System of protection	IP 20									
Connection wires 2 x 0.5 mm ² , silicone	500 mm / 19.7" long									
Fixing	DIN Clip for 35 mm rail EN50022									
Approvals	UL, CE									
Dimensions	L [mm / "]		95 / 3.74		125 / 4.92		175 / 6.89			
	W x H [mm / "]		70.7 x 24 / 2.78 x 0.94							
Weight	[kg / oz]		0.13 / 4.6	0.14 / 4.94	0.18 / 6.35	0.19 / 6.7	0.23 / 8.1	0.24 / 8.5	0.33 / 11.6	0.34 / 12
Recommended fuse (time-delay)	240V	4A	6.3A	4A	6.3A	4A	6.3A	6.3A	6.3A	
	110 V	2A	4A	2A	4A	2A	4A	4A	6.3A	

Ordering Example: Nimbus D 95, 40 W, 110-240 V

Special design 12 - 24 V.

Construction Drawing



- ① Fixing clip for 35mm DIN top hat rail EN50022
- ② Aluminium profile
- ③ Silicon wire 0.5 mm²
- ④ Glass silk tube

Matching Accessories:



- Thermostats (FGT101, FGT201)
- Dualstat (FGDT Series)

