

Cirrus Series



Cirrus 25



Features:

- High power to size ratio
- Lightweight
- Easy to fit
- Pre-wired
- Independent fan circuit to aid climate cooling with heater off or directional heating with fan on.

DBK's knowledge of thermal management gives us the experience to guide and support you with your technical challenges - we can manage the complete project from concept to full production release.

Cirrus 25		25/1			25/2			
		5W	10W	20W	10W	20W	30W	40W
Nominal Power*	at 10°C / 50°F	5W	10W	20W	10W	20W	30W	40W
Typical Max. Inrush Current (A) RMS	at 12V AC	0.5	1.5	3	-	2.5	4	5
Typical Max. Inrush Current (A) RMS	at 24V AC	1.3	1.3	3	2.5	-	5.5	9.5
Typical Max. Inrush Current (A) RMS	at 115/230V AC	-	-	-	-	0.5 / 2.5	1 / 3.5	1 / 3.5
Electrical Protection Class		III / SELV	III / SELV	III / SELV	III / SELV	I	I	I
Ingress Protection		IP20	IP20	IP20	IP20	IP20	IP20	IP20
Fan Volumetric Flow	(m ³ /h / cfm)	5.1 / 3	5.1 / 3	5.1 / 3	5.1 / 3	5.1 / 3	5.1 / 3	5.1 / 3
Fan Lifetime - L10/hrs	at 40°C / 104°F (Std.)	34,590	34,590	34,590	34,950	34,590	34,590	34,590
Fan Operating Temperature Range	(°C / °F)	-10 to +70 / +14 to +158			-10 to +70 / +14 to +158			
Nominal Input Voltage Fan	(V)	12 DC, 12 AC or 24 AC/DC			24 AC/DC	12 DC, 12 AC or 24 AC/DC		
Nominal Input Voltage Heater	(V)	12 DC, 12 AC or 24 AC/DC			24 AC/DC	12 AC/DC or 115/230	12 AC/DC or 24 AC/DC or 115/230	
Dimensions	Cross Section (mm / ")	26 x 27 / 1.02 x 1.06			26 x 27 / 1.02 x 1.06			
Length	(mm / ")	50 / 1.97			72 / 2.83			
Weight	(g / oz)	60 / 2.1			90 / 3.2			
Finger Guards at Outlet	(High Voltage Supply)	-	-	-	-	YES	YES	YES
Finger Guards at Outlet	(Low Voltage Supply)	Optional	Optional	Optional	Optional	Optional	Optional	Optional

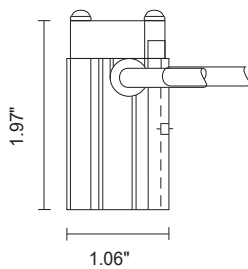
*Other power outputs available upon request.

When specifying 12V fan, select either AC or DC operation. For 24V fan operation AC or DC can be applied.

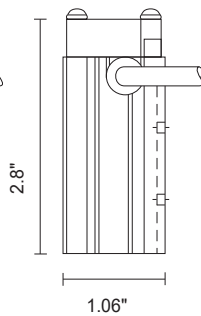
Type	Size	Power	Fan input	AC / DC	Heater Voltage	Finger guard outlet**	DIN Clip**
	1 / 2		12 / 24			1 / 0	1 / 0
C25	2	30 W	12 V	DC	24 V	0	1

Order Code Example: C25 / 2 - 30W - 12V - DC - 24V - 0 - 1 ** 1 = Yes, 0 = No

Model 25/1



Model 25/2



Options:

- Finger guard at outlet
- Smartcon® - Cable to allow fan operation from an AC supply of 12/24V
- Fixings - 35 mm DIN Rail clip (EN50022)

Matching Accessories:



- Thermostats (eg FGT101, FGT201)
- Dualstat (FGDT Series)

Cirrus 40



Features:

- High power to size ratio
- Lightweight
- Easy to fit
- Pre-wired
- Independent fan circuit to aid climate cooling with heater off or directional heating with fan on.

DBK's knowledge of thermal management gives us the experience to guide and support you with your technical challenges - we can manage the complete project from concept to full production release.

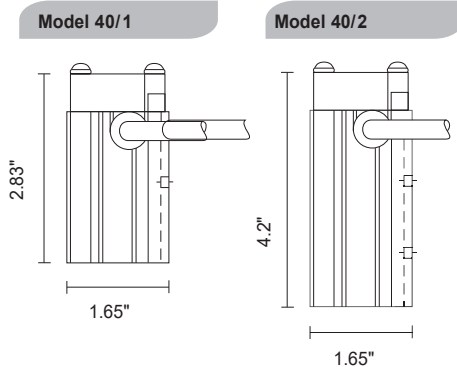
Cirrus 40	40/1				40/2				
	Nominal Power* at 10°C / 50°F	50W	60W	80W	100W	125W	150W	200W	230W
Typical Max Inrush Current (A) RMS at 12V AC	5	6.5	-	-	-	-	-	-	-
Typical Max Inrush Current (A) RMS at 24V AC	-	7.5	-	12	-	-	-	-	-
Typical Max Inrush Current (A) RMS at 115/230V AC	2/6	1.5/5	2/6.5	1.5/4.5	-10	-10	-10	-10	
Electrical Protection Class	I	I	I	I	I	I	I	I	
Ingress Protection	IP20	IP20	IP20	IP20	IP20	IP20	IP20	IP20	
Fan Volumetric Flow (m³/h / cfm)	13.6 / 8	13.6 / 8	13.6 / 8	13.6 / 8	13.6 / 8	13.6 / 8	13.6 / 8	12.4 / 7.3	
Fan Lifetime - L10/hrs at 40°C / 104°F (Std.)	51,000	51,000	51,000	95,000(24V) 51,000(115/230V)	51,000	51,000	51,000	95,000	
Fan Operating Temperature Range (°C / °F)	-10 to +70 / +14 to 158				-10 to +70 / +14 to 158				
Nominal Input Voltage Fan (V)	12 DC, 12 AC or 24 AC/DC								
Nominal Input Voltage Heater (V)	12 AC/DC, 24 AC/DC or 115/230			115/230					
Dimensions Cross Section (mm / ")	42 x 42 / 1.65 x 1.65								
Length (mm / ")	72/77 / 2.83/3.03		77 / 3.03			112 / 4.41		122 / 4.8	
Weight (g / oz)	175 / 6.2				260 / 9.2			275 / 9.7	
Finger Guards at Outlet (High Voltage Supply)	YES	YES	YES	YES	YES	YES	YES	YES	YES
Finger Guards at Outlet (Low Voltage Supply)	Optional	Optional	-	-	-	-	-	-	-

* Other power outputs available upon request

Type	Size 1 / 2	Power	Fan input 12 / 24	AC / DC	Heater Voltage	Finger Guard**		DIN Clip** 1 / 0	Filter** a
						outlet 1/0	inlet 1/0		
C40	2	125 W	24V	AC	240 V	1	0	1	1

Order Code Example: C 40 / 2 - 125 W - 24 V - AC - 240 V - 1 - 0 - 1 - 1

** 1 = Yes, 0 = No



Options:

- Finger guard on inlet and/or outlet
- Smartcon® - Cable to allow fan operation from an AC supply of 12/24V
- Fixings - 35 mm DIN Rail clip (EN50022)



Matching Accessories:

- Thermostats (FGT101, FGT201)
- Dualstat (FGDT Series)

Cirrus 80

Features:

- High power to size ratio
- Light weight
- Easy to fit
- Screw terminal for easy wiring
- Dual power feature
- Independent fan circuit to aid cooling with heater off or directional heating with fan on.

DBK's knowledge of thermal management gives us the experience to guide and support you with your technical challenges - we can manage the complete project from concept to full production release.

Cirrus 80			
Nominal Power*	at 10°C / 50°F	300 / 600W	450 / 800W
Typical Max.Inrush Current (A) RMS	at 230V AC	10	11
Typical Max.Inrush Current (A) RMS	at 115V AC	15	14
Max. Body Temperature	(°C / °F)	55 / 131	80 / 176
Electrical Protection Class		I	I
Ingress Protection		IP20	IP20
Operating Temperature Range	(°C / °F)	-40 to +60 / -40 to 140	-40 to +60 / -40 to 140
Fan Volumetric Flow (50-60Hz)	(m³/h / cfm)	45 - 54 / 26.5 - 31.8	45 - 54 / 26.5 - 31.8
Fan Lifetime - L10/hrs	at 40°C / 104°F	61,000	61,000
Nominal Input Voltage (Depending on Variant) (V)		115 or 230 AC	115 or 230 AC
Dimensions	Cross Section (mm / ")	82 x 110 / 3.23 x 4.33	82 x 110 / 3.23 x 4.33
Length	(mm / ")	150 / 5.91	150 / 5.91
Weight	(g / oz)	785 / 27.7	785 / 27.7
Finger Guards at Inlet and Outlet		YES	YES

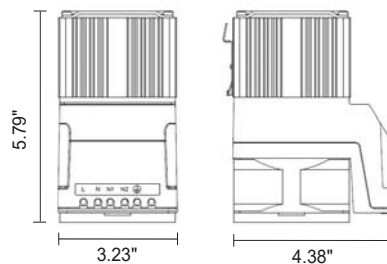
* Other power outputs available upon request

Ordering Example:

Type	Power	Heater Voltage	DIN Clip**	Filter**
			1 / 0	1 / 0
C80	600 W	230 V	1	1

Order Code Example: C80 – 600W – 230 V – 1 – 1

** 1 = Yes, 0 = No

Model 80

Options:

- Filter Assembly (Typical power reduction of 10% when 30 PPI filter affixed)
- Fixings - 35mm DIN Rail clip (EN50022)

Matching Accessories:


- Thermostats (FGT101, FGT201)
- Dualstat (FGDT Series)