

**Cirrus 40**



**Features:**

- High power to size ratio
- Lightweight
- Easy to fit
- Pre-wired
- Independent fan circuit to aid climate cooling with heater off or directional heating with fan on.

DBK's knowledge of thermal management gives us the experience to guide and support you with your technical challenges - we can manage the complete project from concept to full production release.

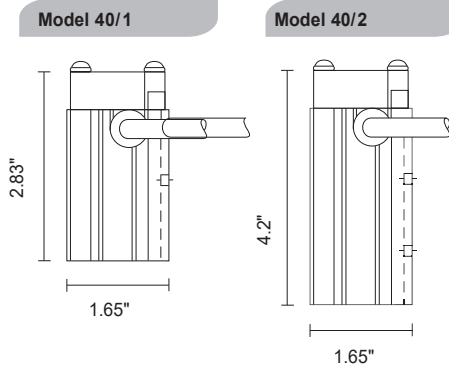
Cirrus 40		40/1				40/2			
Nominal Power*	at 10°C / 50°F	50W	60W	80W	100W	125W	150W	200W	230W
Typical Max Inrush Current (A) RMS	at 12V AC	5	6.5	-	-	-	-	-	-
Typical Max Inrush Current (A) RMS	at 24V AC	-	7.5	-	12	-	-	-	-
Typical Max Inrush Current (A) RMS	at 115/230V AC	2/6	1.5/5	2/6.5	1.5/4.5	-10	-10	-10	-10
Electrical Protection Class		I	I	I	I	I	I	I	I
Ingress Protection		IP20	IP20	IP20	IP20	IP20	IP20	IP20	IP20
Fan Volumetric Flow	(m <sup>3</sup> /h / cfm)	13.6 / 8	13.6 / 8	13.6 / 8	13.6 / 8	13.6 / 8	13.6 / 8	13.6 / 8	12.4 / 7.3
Fan Lifetime - L10/hrs	at 40°C / 104°F (Std.)	51,000	51,000	51,000	95,000(24V) 51,000(115/230V)	51,000	51,000	51,000	95,000
Fan Operating Temperature Range	(°C / °F)	-10 to +70 / +14 to 158				-10 to +70 / +14 to 158			
Nominal Input Voltage Fan	(V)	12 DC, 12 AC or 24 AC/DC							
Nominal Input Voltage Heater	(V)	12 AC/DC, 24 AC/DC or 115/230			115/230				
Dimensions	Cross Section (mm / ")	42 x 42 / 1.65 x 1.65							
Length	(mm / ")	72/77 / 2.83/3.03		77 / 3.03		112 / 4.41		122 / 4.8	
Weight	(g / oz)	175 / 6.2				260 / 9.2		275 / 9.7	
Finger Guards at Outlet	(High Voltage Supply)	YES	YES	YES	YES	YES	YES	YES	YES
Finger Guards at Outlet	(Low Voltage Supply)	Optional	Optional	-	-	-	-	-	-

\* Other power outputs available upon request

Type	Size	Power	Fan input	AC / DC	Heater Voltage	Finger Guard**		DIN Clip**	Filter**
						outlet 1/0	inlet 1/0		
C40	2	125 W	24V	AC	240 V	1	0	1	1

Order Code Example: C 40 / 2 - 125 W - 24 V - AC - 240 V - 1 - 0 - 1 - 1

\*\* 1 = Yes, 0 = No



**Options:**

- Finger guard on inlet and/or outlet
- Smartcon® - Cable to allow fan operation from an AC supply of 12/24V
- Fixings - 35 mm DIN Rail clip (EN50022)



**Matching Accessories:**

- Thermostats (FGT101, FGT201)
- Dualstat (FGDT Series)